

Directory

Stinger 6500 Stacker

**Parts Manual
2019 (1/4 Turn Module)
S/N 820-839**

**Other
Documents**

Index

Unit Assy

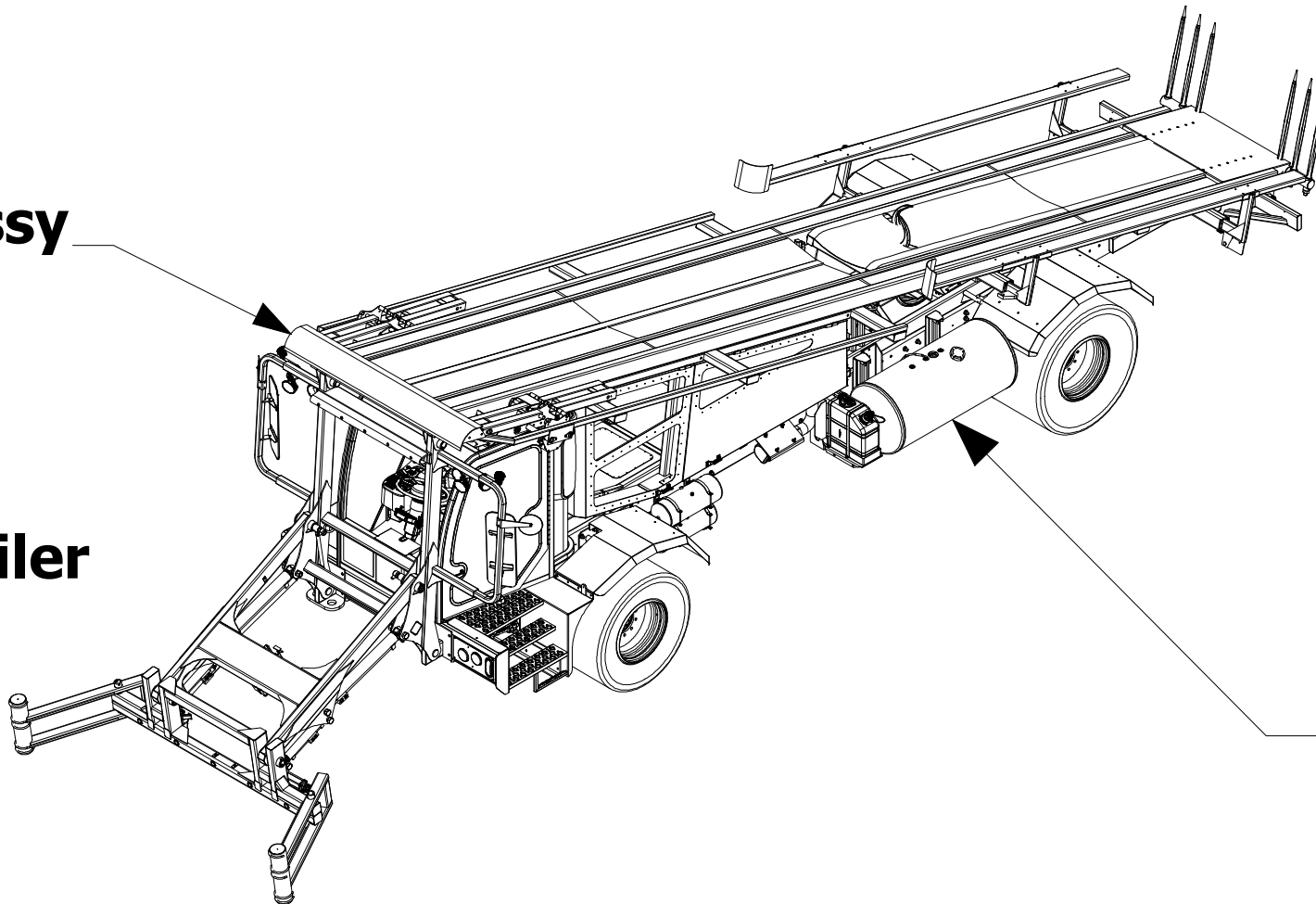
**Filters &
Belts**

Bale Oiler

Fluids

Chassis

Lights



Other Documentation

These files will open in a new window

Back

Home

**Allison Owners
Manual**

**CCC Parts
Manual**

**Allison Service
Manual**

**CCC Service
Manual**

**Cleanfix Parts
Manual**

**Cummins
Website**

**Stinger 6500 Stacker
Index**

Back

Home

**Control
Valves**

**Hydraulic
Cylinders**

Frontend

Stackframe

Main Slide

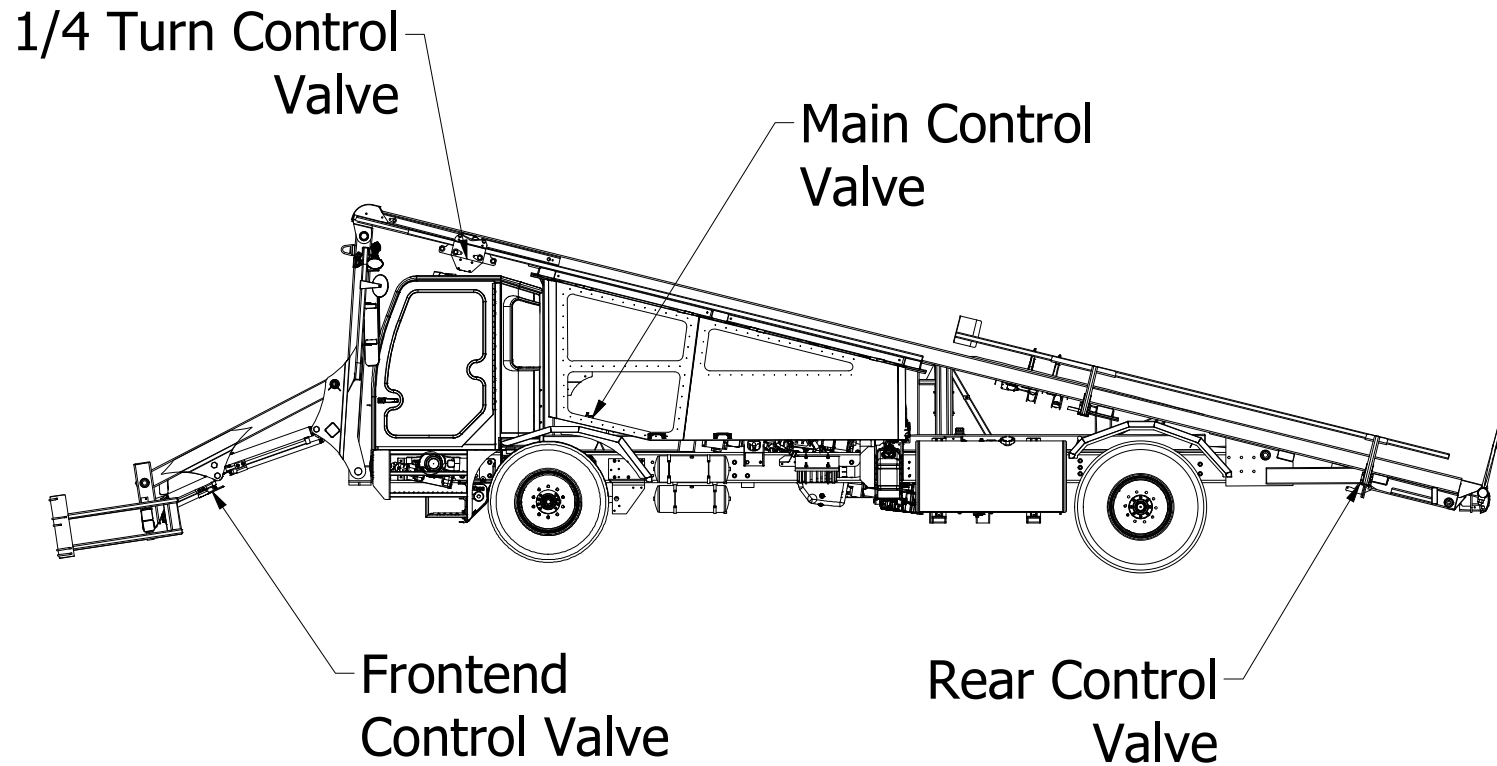
Doors

Stinger 6500 Stacker

[Back](#)

[Home](#)

Control Valves Locations

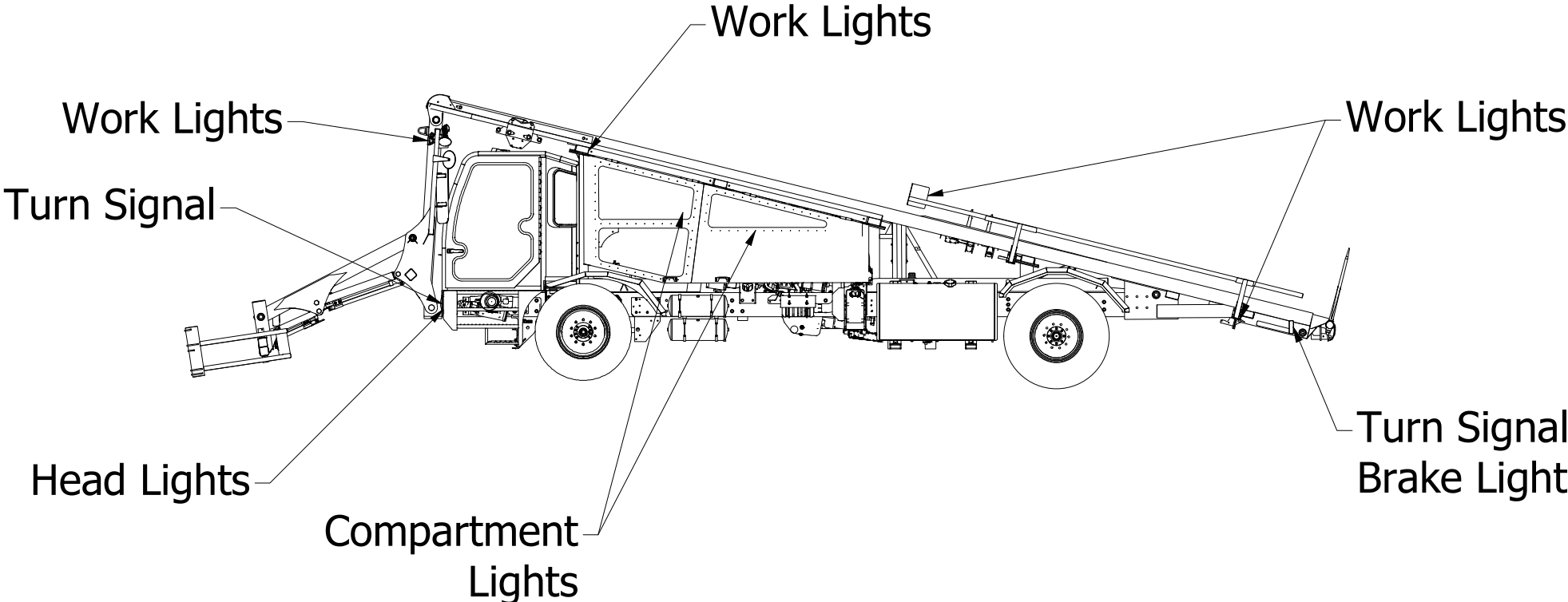


Stinger 6500 Stacker

[Back](#)

[Home](#)

Light Index



Hydraulic Cylinder Index

Back

Home

**Front
Cylinders**

**Rear
Cylinders**

Fluids Index

Back

Home

**Power
Steering**

Engine Oil

**Hydraulic
Oil**

**Rear
Differential**

**Transmission
Oil**

Bale Oiler

Power Steering Fluids

[Back](#)

Filter part #1490-5469

(Nelson #83804E....Donaldson #P550637)

Change filter after 250 hrs and every 1000 hrs thereafter

[Home](#)

10 qts fills the system

Approved Hydraulic Fluids

Automatic Transmission Fluid Dexron II
Automatic Transmission Fluid Type "E" or "F"
Chevron 10W-40
Chevron Custom 10W-40 Motor Oil
Chevron Torque 5 Fluid
Exxon Nuto H32 Hydraulic Fluid
Fleetrite PSF (Can #990625C2)
Ford Spec. M2C138CJ
Mack EO-K2 Engine Oil

Mobil ATF 210
Mobil Super 10W-40 Motor Oil
Premium Blue 2000 - SAE 15W-40
*Shell Rotella T30W
*Shell Rotella T SAE 30
Texaco 10W-40
Texaco TL-1833 Power Steering Fluid
Union 10W-40
Union 15W-40
Unocal Guardol 15W-40 Motor Oil

The steering system should be kept filled with one of the above fluids. Fluids marked with an asterisk (*) have not been approved for use with TRW's pump.

⚠ WARNING Completely flush the steering system with one of the recommended fluids above only. Do not mix oil types. Any mixture or any unapproved oil could lead to seal deterioration and leaks. A leak could ultimately cause the loss of fluid, which could result in a loss of power steering assist.

Rear Differential Oil

Back

Home

The Rear differential uses 85/140 gear lube

It takes 39 pints to fill the system

Change oil after the first 250 hrs

and every 12 months thereafter

Hydraulic Oil

[Back](#)

[Home](#)

Filter #1490-5214

(Donaldson #P16-5878)

Hydraulic oil should have an ISO AW-46 rating

(Approx. 73 gallons fills the system)

John Deer Hy-Guard & CIH Hy-Trans work fine

Change filter every 12 months

Transmission Oil

Back

Filter #1490-4598

Home

(Allison #29548988.....Donaldson #P560971)

Transmission Oil should be Allison approved

(T.E.S. 295)

Initial fill 32 qts, Refill 22 qts

**Change the filter at 200 hrs then
Change Oil/Filter every 3000 hrs for synthetic Oils**

**Partial List of
T.E.S. 295 Oils**

Engine Oil

[Back](#)

[Home](#)

Filter #1490-5208

(Fleetguard #LF3000.....Donaldson #P553000)

Oil Change 20 qts

Change oil/filter every 500 hrs

Belts & Filters

[Back](#)

[Filters](#)

[Home](#)

- Engine Oil Filter.....1490-5208** (Fleetguard #LF3000...Donaldson #P553000)
- Fuel Filters.....1490-7034** (Fleetguard #FF63009)
-**1490-7035** (Fleetguard #FS1098)
- Transmission Filter.....1490-4598** (Allison #29548988...Donaldson #P560971)
- Engine Air Filter.....1490-6942** (Donaldson #P131280)
-**1490-6943** (Donaldson #P118216)
- Hydraulic Oil Filter.....1490-5214** (Donaldson #P16-5878)
- Power Steering Filter.....1490-5469** (Nelson #83804E...Donaldson #P550637)
- A/C Filters**
- Fresh air Filter (Outside).....1490-6528** (Wix #49979.....Donaldson #P500194)
- Recirculate Filter (Inside).....1490-6529** (Red Dot #78R5361)

Belts

Serpentine (Fan Belt)

S/N 813-935.....1490-7375 (Cummins #3289746...Gates # K080785HD)

A/C Belt

S/N 814-935 ...1490-7376 (Gates #9370)

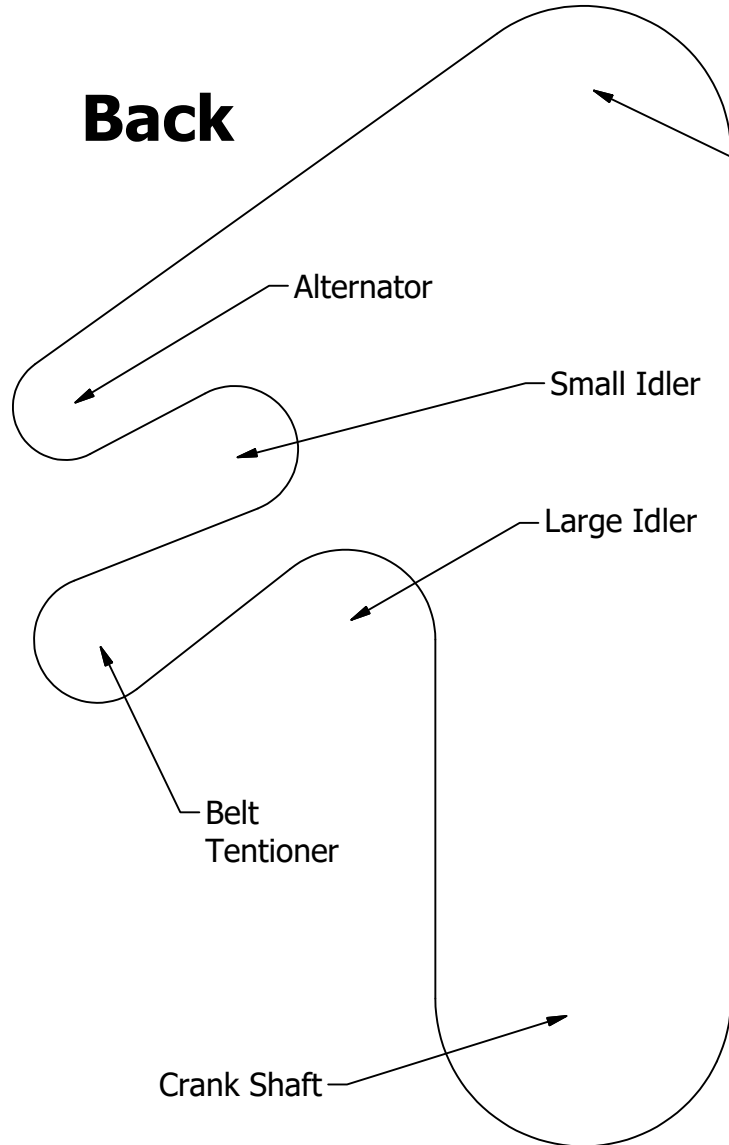
[Belt
Routing](#)

[More Information](#)

[Fluid
Index](#)

Cummins 8.3L Serpentine Belt Route

(All Models)



Serpentine Belt

| S/N | Cummins | Dayco | Stinger | NAPA |
|-----------|---------|---------|-----------|-----------|
| 230-309 | 3926861 | 5080725 | 1490-5215 | 25-080726 |
| 310-332 | 3289686 | 5080765 | 1490-4641 | 25-080765 |
| 333 | 3972262 | 5080770 | 1490-4645 | 25-080774 |
| 334-340 | 3289686 | 5080765 | 1490-4641 | 25-080765 |
| 341-392 | 3972262 | 5080770 | 1490-4645 | 25-080774 |
| 393-479 | 3972379 | 5080895 | 1490-5672 | 25-080893 |
| 480-later | 3974248 | 5080925 | 1490-5985 | 25-080922 |

A/C Belt

| S/N | Gates | Dayco | Stinger |
|-----------|-------|-------|-----------|
| 230-309 | 9395 | 17395 | 1490-5216 |
| 310-479 | 9412 | 17410 | 1490-5212 |
| 480-Later | 9395 | 17395 | 1490-5216 |

T. E. S. 295 Approved Transmission Oils

[Back](#)

[Home](#)

| Marketer | Brandname |
|----------------------|--------------------------------|
| Castrol | Transynd |
| BP Lube | Autran Syn 295 |
| Cognis | Emgard 2805 |
| International | Fleetrite Synthetic ATF |
| ExxonMobile | Delvac Sybthetic ATF |
| John Deere | HD SynTran |
| Volvo | Bulldog Synthetic ATF |

Rear Cylinder Index

Back

Home

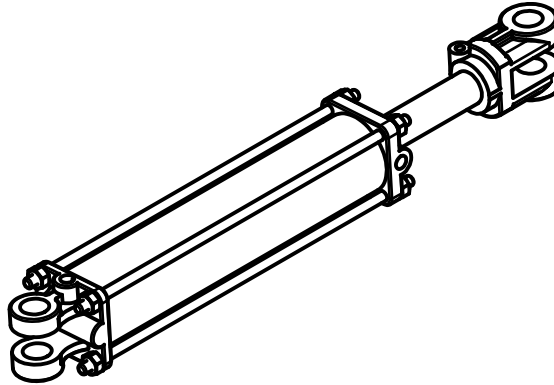
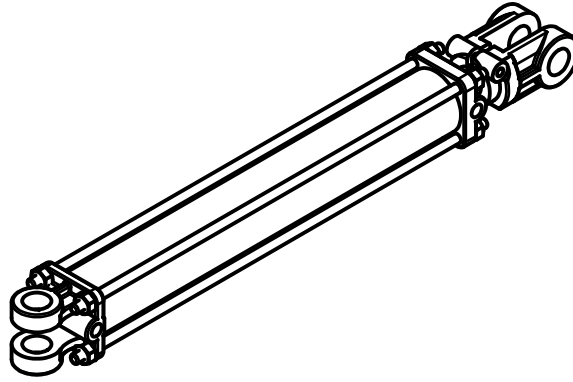
Hoist

Tailgate

Stackdown

**Squeeze
Rail**

Bale Stop

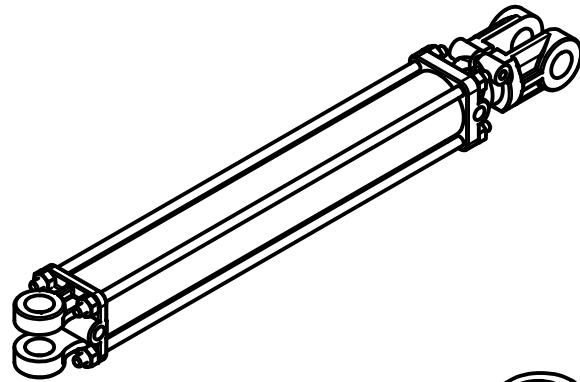


Front Cylinder Index

Back

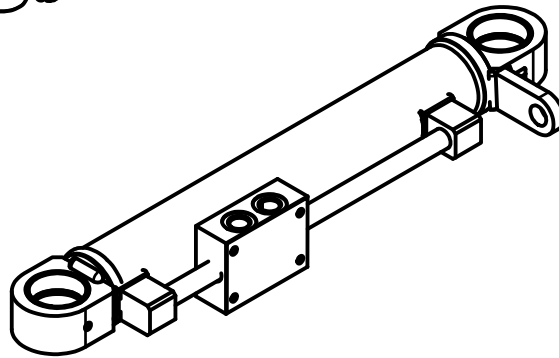
Home

Front Sqz



1/4 Turn

Front Tilt w/Sensor



Front Lift w/Sensor

Front Tilt

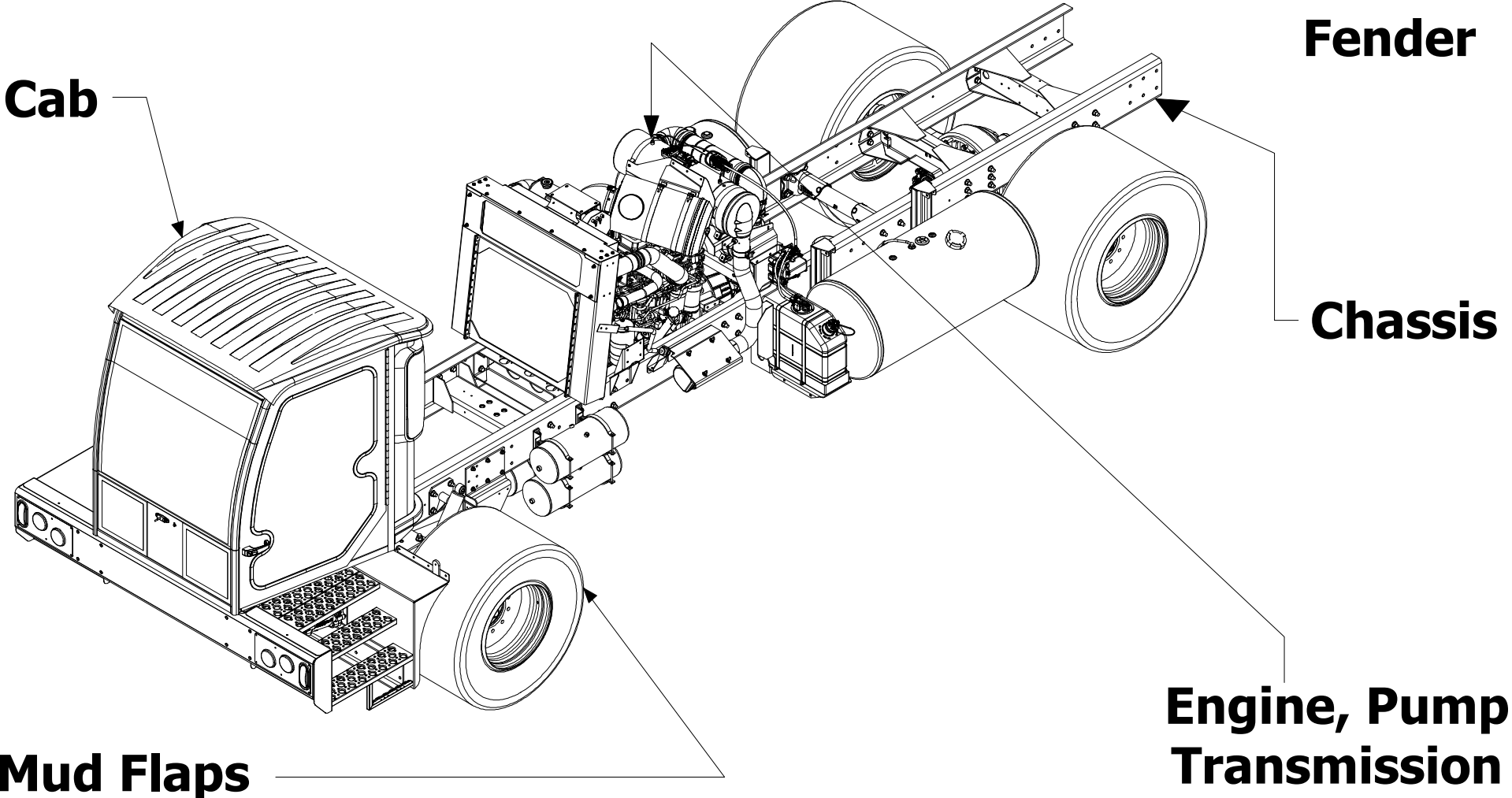
Front Lift

Stinger 6500 Stacker

[Back](#)

[Home](#)

CCC LE Hayloader Chassis



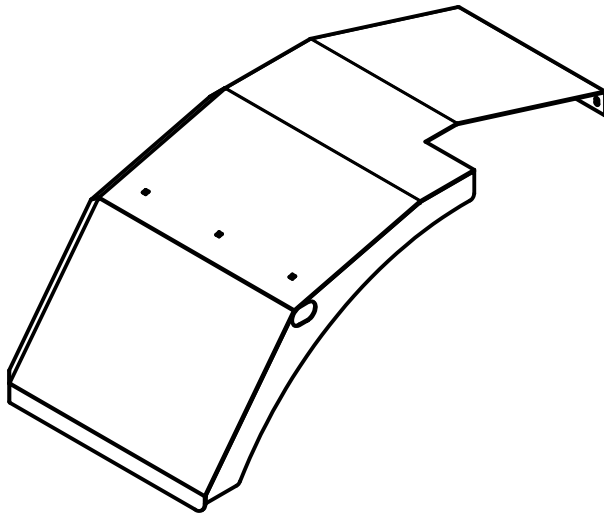
Front & Rear Fenders S/N 695 & Newer

Back

Home

LH Front Fender 2014A1

(LH shown: RH 2014A2)

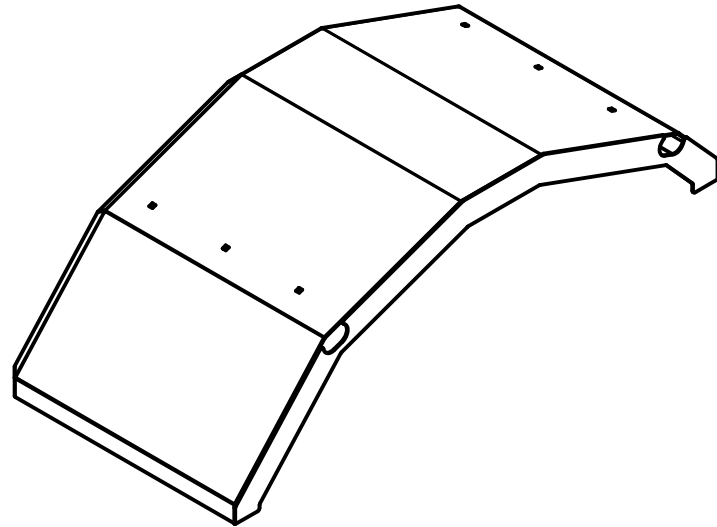


Front Fender Mount

2014A5 LH : 2014A6 RH

LH Rear Fender 201, A'

(LH shown: RH 201, A())



Rear Fender Mount

2014A+ @ 'fF < ': fcbH: 2014A8 R< 'f@ < ': fcbH

Round Fenders

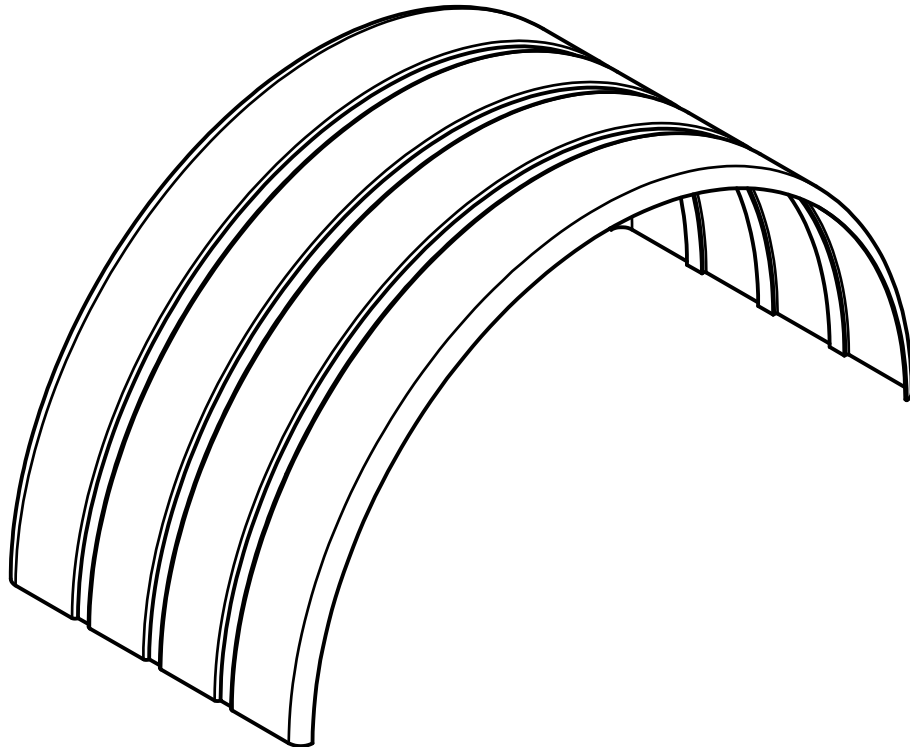
(Prior to S/N 695)

**Stainless Steel Round Fenders
(S/N 694 and Older)**

Back

1490-2221

Home



29" Front Fender Pipe 2450-275
28" Rear Fender Pipe 2450-276

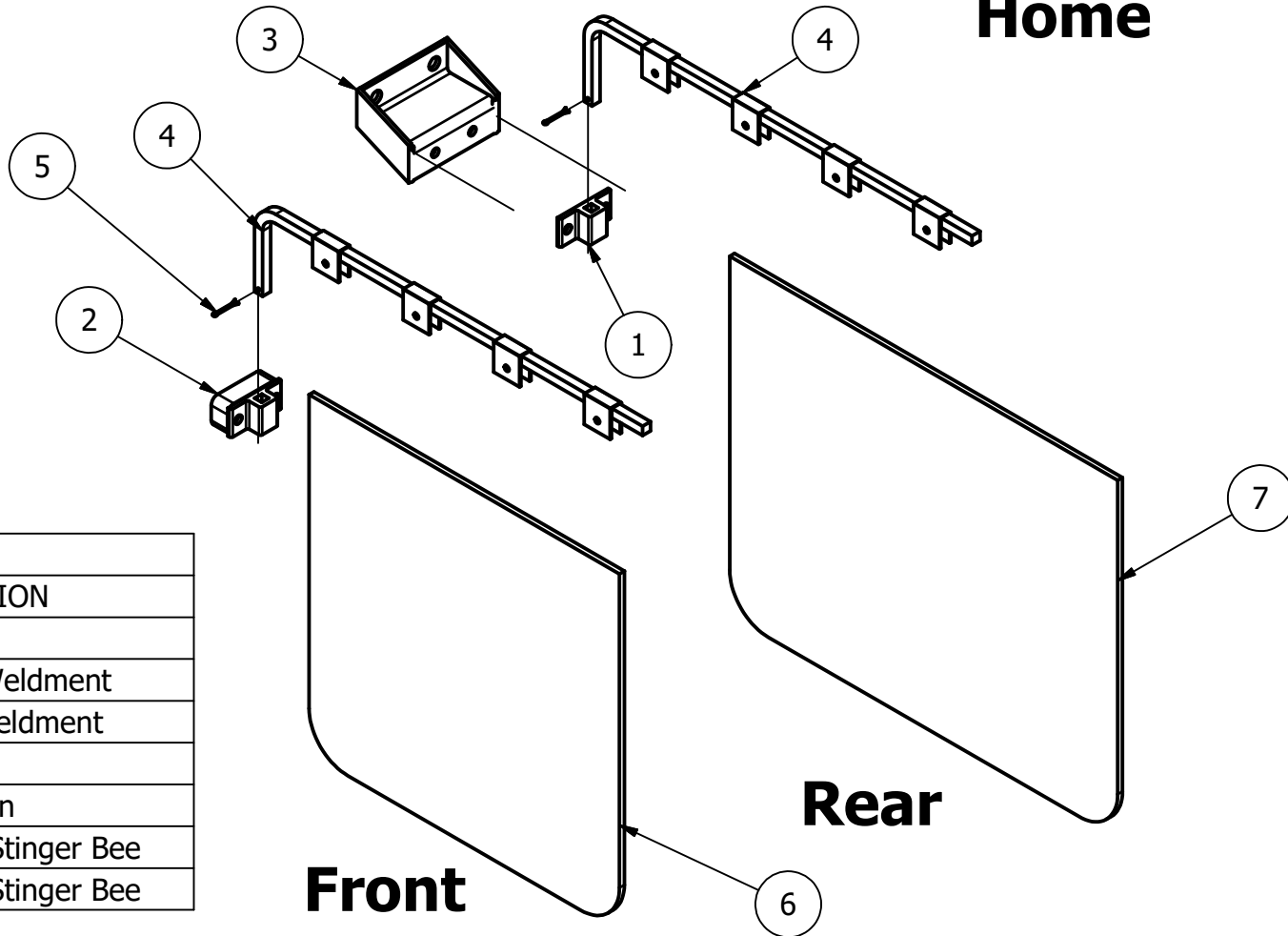
Pipe Clamp Kit 1490-2326
(Bag of 4 clamps does 1 fender)

Fender Pipe End Cap 1490-4000

Mud Flap Detail

Back

Home



| PARTS LIST | | | |
|------------|-----|-------------|-------------------------------|
| ITEM | QTY | PART NUMBER | DESCRIPTION |
| 1 | 1 | 14905045 | Mud Flap Bracket |
| 2 | 1 | 2006A2 | Front Mudflap Ext. Weldment |
| 3 | 1 | 2000A8 | Rear Mudflap Ext. Weldment |
| 4 | 2 | 1490-5088 | Mudflap Arm |
| 5 | 2 | Cotter Pin | 1/8 X 1-3/8 Cotter Pin |
| 6 | 1 | 1490-4514 | 24 X 24 Mudflap W/Stinger Bee |
| 7 | 1 | 1490-2310 | 24 X 30 Mudflap W/Stinger Bee |

Stinger 6500 Stacker

[Back](#)

[Home](#)

Tier 4 Chassis Detail

Front Axle

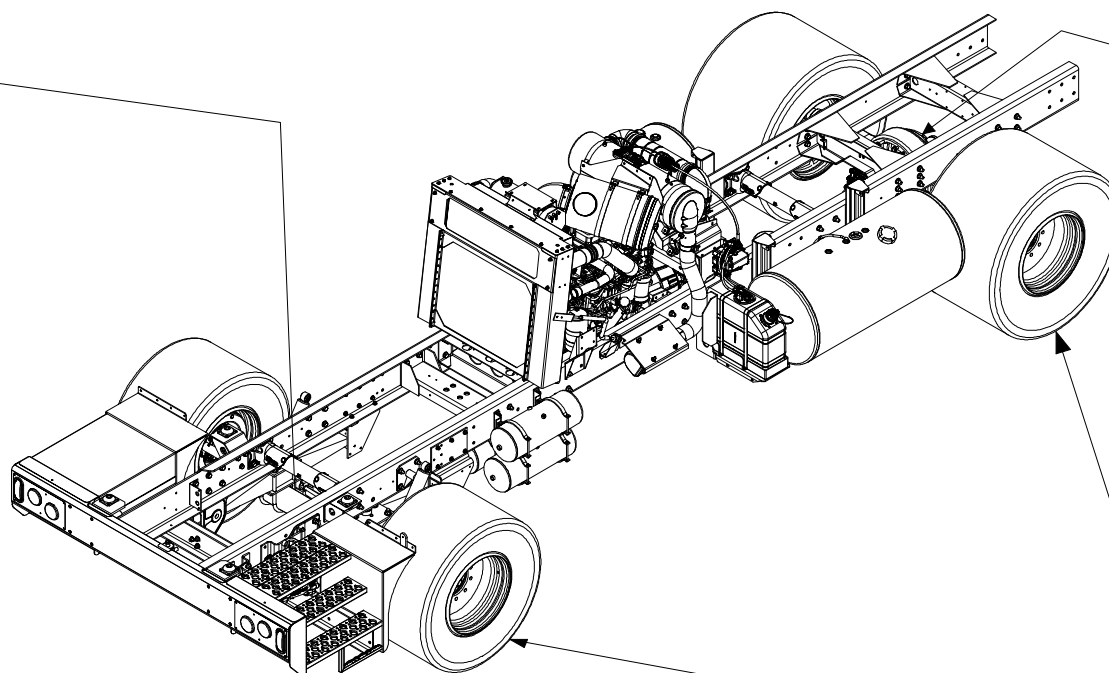
Rear Axle

**Poly Wear
Pad Kits**

**Brake
Shoes**

**Leaf
Springs**

**Wheels &
Tires**



Stinger 6500 Stacker

[Back](#)

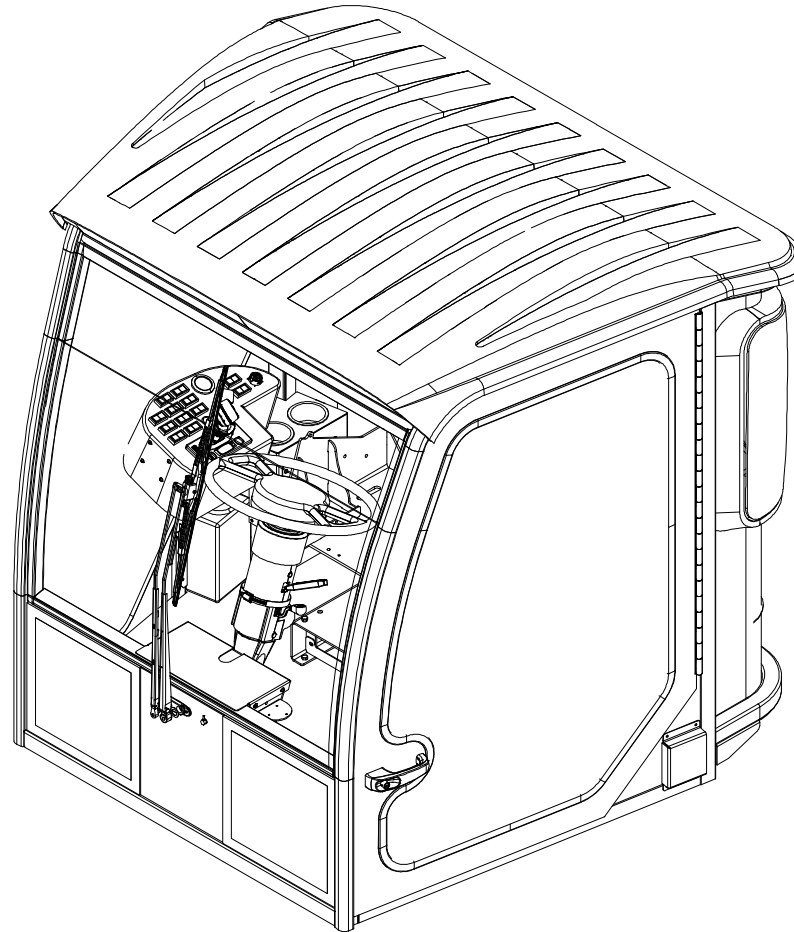
[Home](#)

Able Cab Elements Gen 4

Joystick

Heating & A/C

**Trans
Shifter**



Glass

Seat

Monitor

Engine & Transmission & Pump Components

Back

Home

Electrical

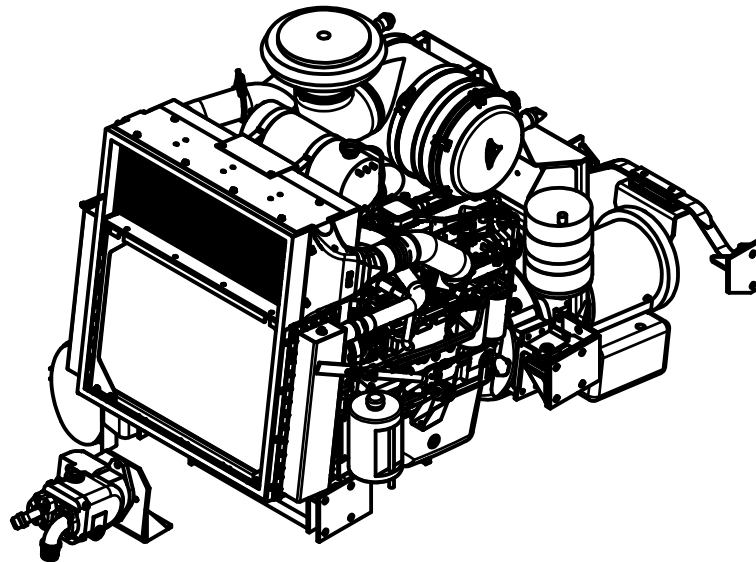
Transmission

Filters

**Cooling
System**

Exhaust

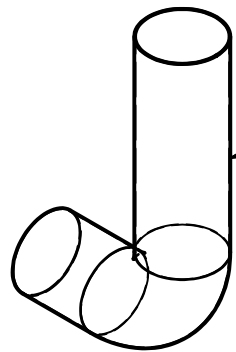
**Hydraulic
Pump**



Engine Exhaust

[Back](#)

[Home](#)



Turbo Exhaust Elbow Part #1490-6233



Exhaust V-Band Clamp Part #1490-5982



Turbo Exhaust Adapter Part #1490-6140

Engine Electrical

[Back](#)

[Home](#)

150 Amp Buzzanator Part #1490-4040

Main Disconnect Switch Part #1490-4911

Batteries are Group 31 (995 Cold Cranking Amps)



Engine Cooling System

[Back](#)

[Home](#)

Recovery Tank (Plastic Tank Only no Sight Tube) **Part #1490-4626**

Recovery Tank Assy(Tank W/Mounts & Sight Tube) **Part #1490-4562**

Cap for the Recovery Tank Part #1490-4614

Sight Glass for the Surge Tank (Metal Tank) **Part #1490-5393**

Coolant should be replaced every 2000 hrs with a 50/50 mixture (50qts)

Transmission Components

[Back](#)

[Home](#)

Transmission is an Allison RDS 3000 6-speed

6-Speed Gen. 4 Shifter Part #1490-5295

(S/N 393 thru 759, No Pigtail)

6-Speed Gen. 5 Shifter Part #1490-6422

(S/N 760 on, No Pigtail, No Detent Spring)

Detent Spring for Shifter

Part #1490-5332

(Used on Gen 3 & Gen 4 Shifters)

**Joystick
Control**

Hydraulic Pump Components

[Back](#)

[Home](#)

[PVG 100 Pump Part #1490-4132](#)

[Pump Seal Kit Part #1490-5480](#)

[Pump Drive Shaft Part #1490-5532](#)

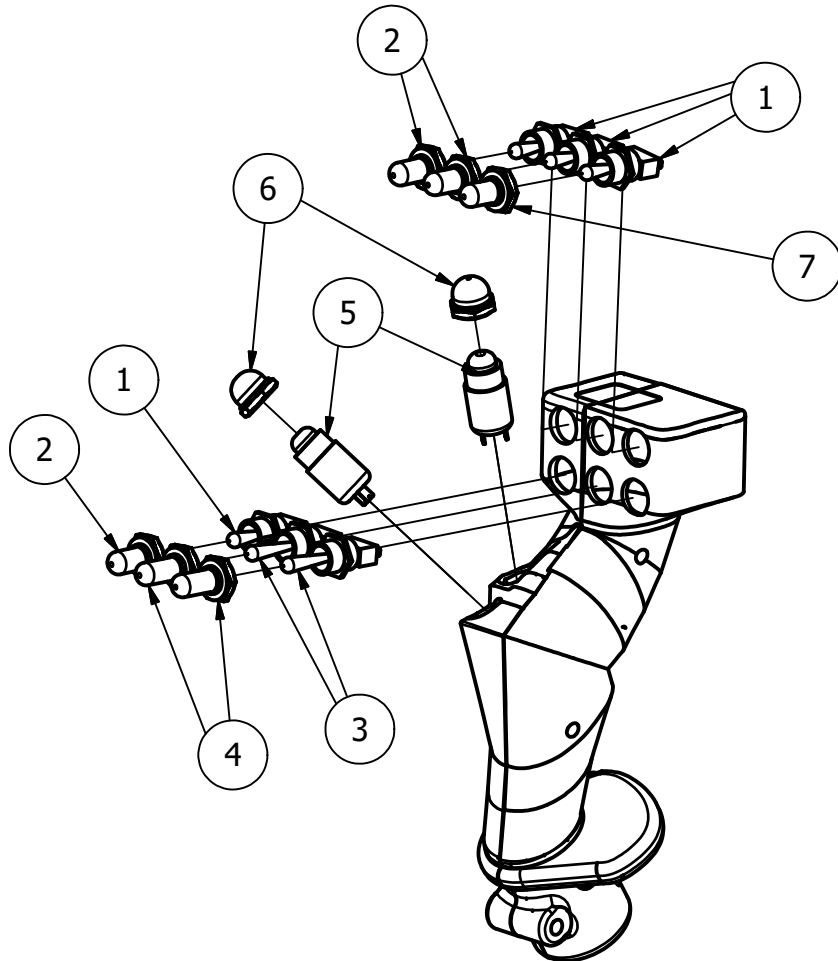
[1350 Pump Drive U-Joint With Grease Zerk Part #1490-6788](#)

[1350 Pump Drive Engine Flange Yoke Part #1490-6390](#)

Joystick Controller Part # 1490-4802 Complete

Back

Home



| PARTS LIST | | | |
|------------|-----|-------------|-----------------------------------|
| ITEM | QTY | PART NUMBER | DESCRIPTION |
| 1 | 4 | 1490-3452 | Short Toggle Switch W/Leads |
| 2 | 3 | 1490-2062 | Short Toggle Boot Black |
| 3 | 2 | 1490-1196 | Tall Toggle Switch W/Leads |
| 4 | 2 | 1490-2060 | Tall Toggle Boot Black |
| 5 | 2 | 1490-4491 | Push Button Switch w/leads & Boot |
| 6 | 2 | 1490-2061 | Red Pushbutton Boot |
| 7 | 1 | 1490-5270 | Short Toggle Boot White |

Seat Components

Back

**Standard SST Hi-Back Seat
W/ TLV Air Suspension
Part # 1490-5880**

Home

**Adjustable Shock W/Control
Cable
Part # 1490-5949**

**Non-adjustable Shock
W/Bushings
Part # 1490-5948**

**Seat Air Pump W/Brass Fittings
Part # 1490-5991**

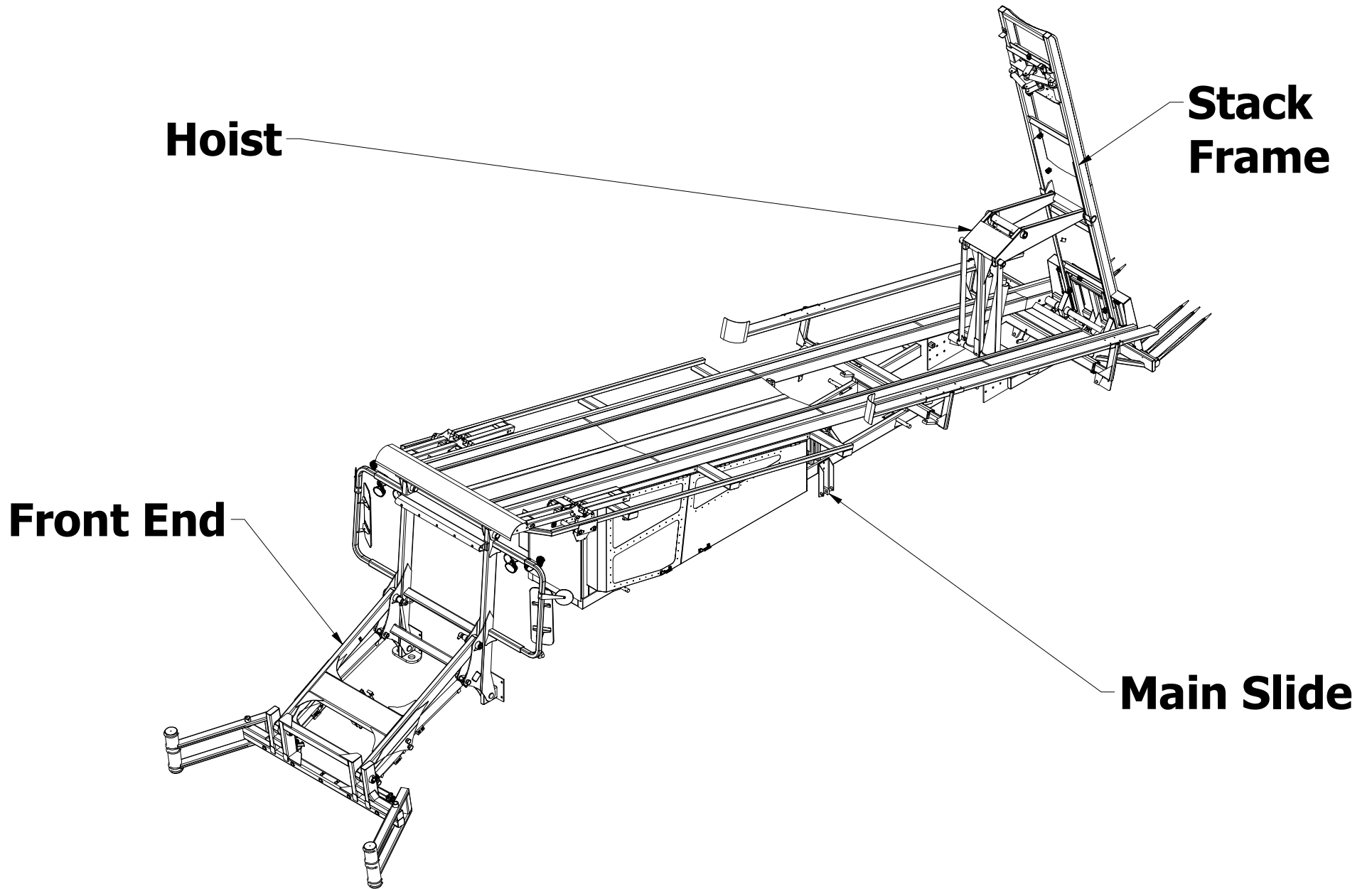
**Non-adjustable Shock Only
Part # 1490-5852**

Stinger 6500 Stacker

(Unit Assembly)

[Back](#)

[Home](#)



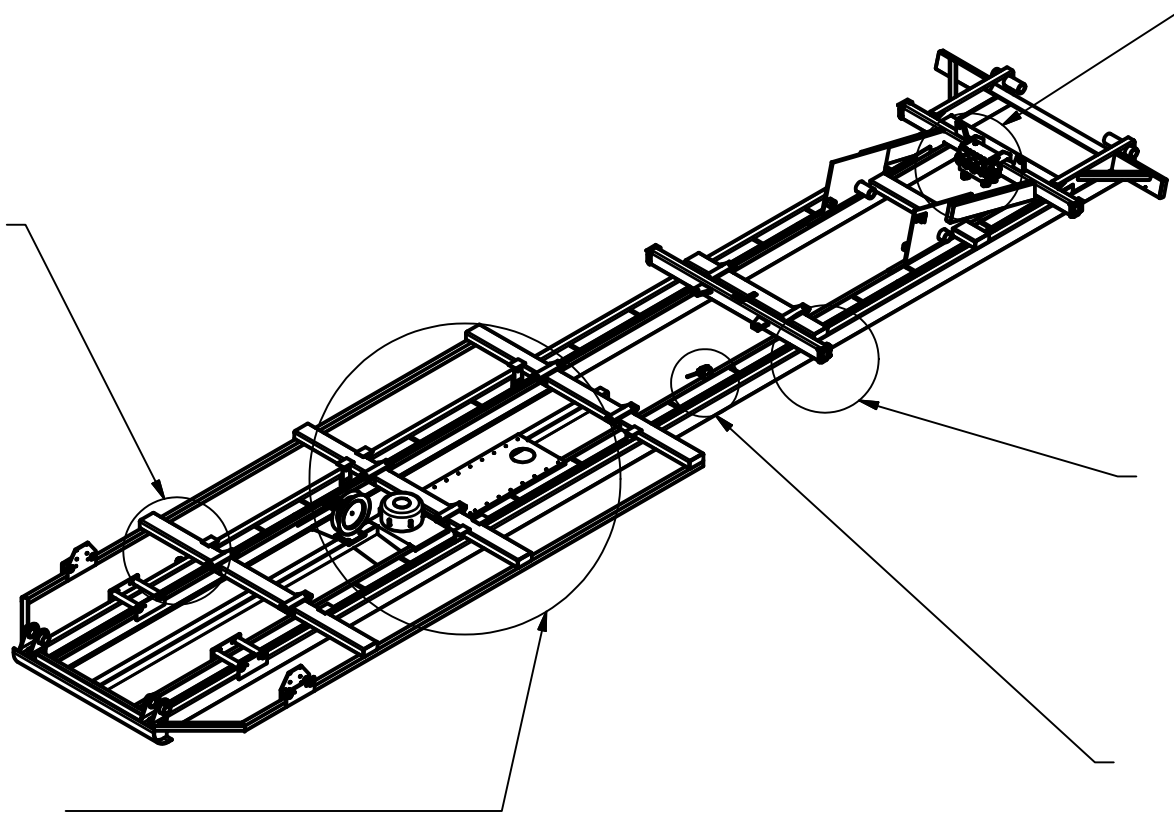
Main Slide Detail

Back

Home

**1/4 Turn
Micro-Switch**

**Rear Control
Valve**



**Squeeze
Rail Poly**

**Air Chamber
Detail**

**StackFrame
Micro-Switch**

Stinger 6500 Stacker

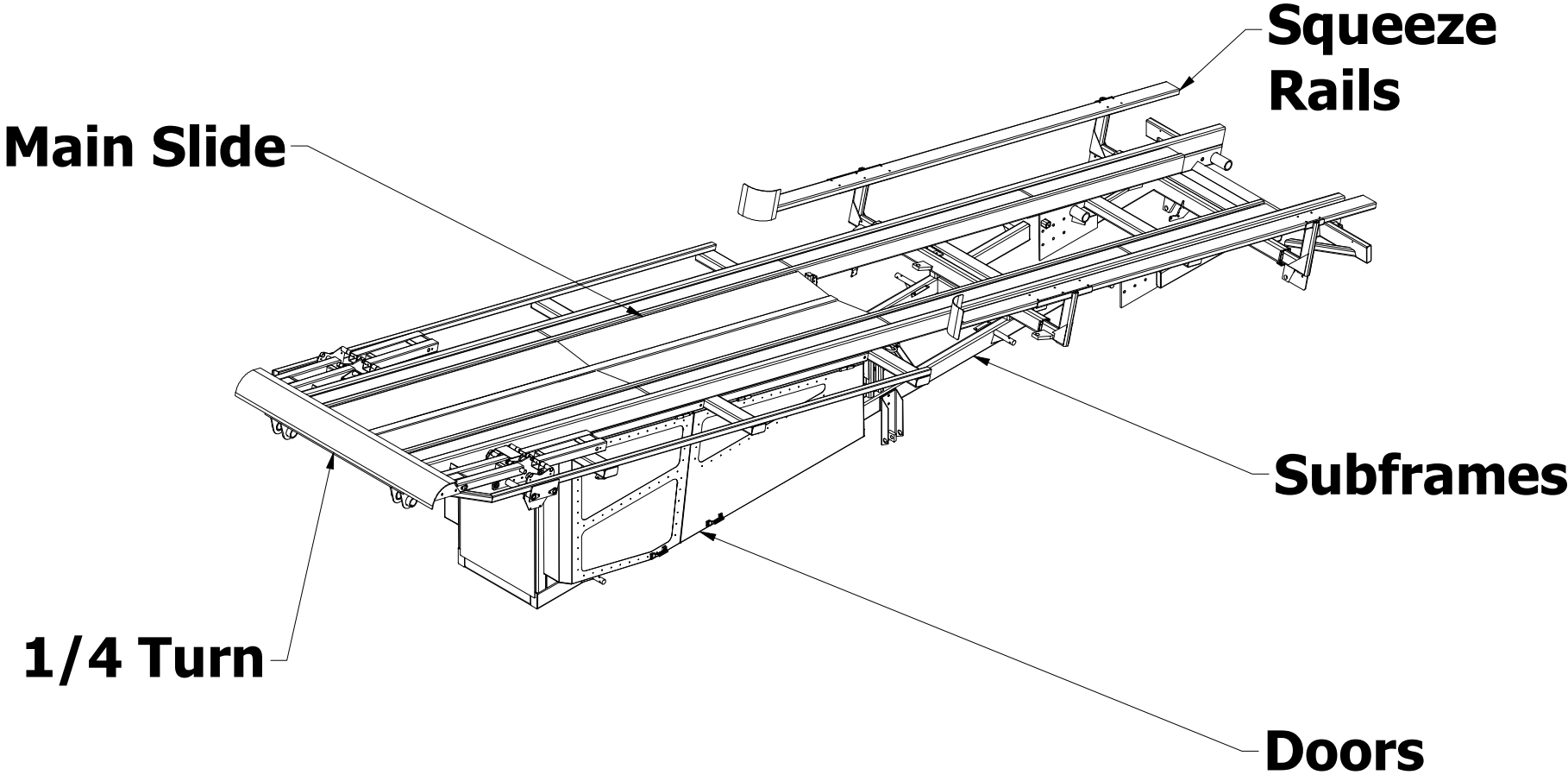
(Stacking Unit)

[Back](#)

[Home](#)

Main Slide Assembly

(Stacking Unit)



Squeeze Frontend

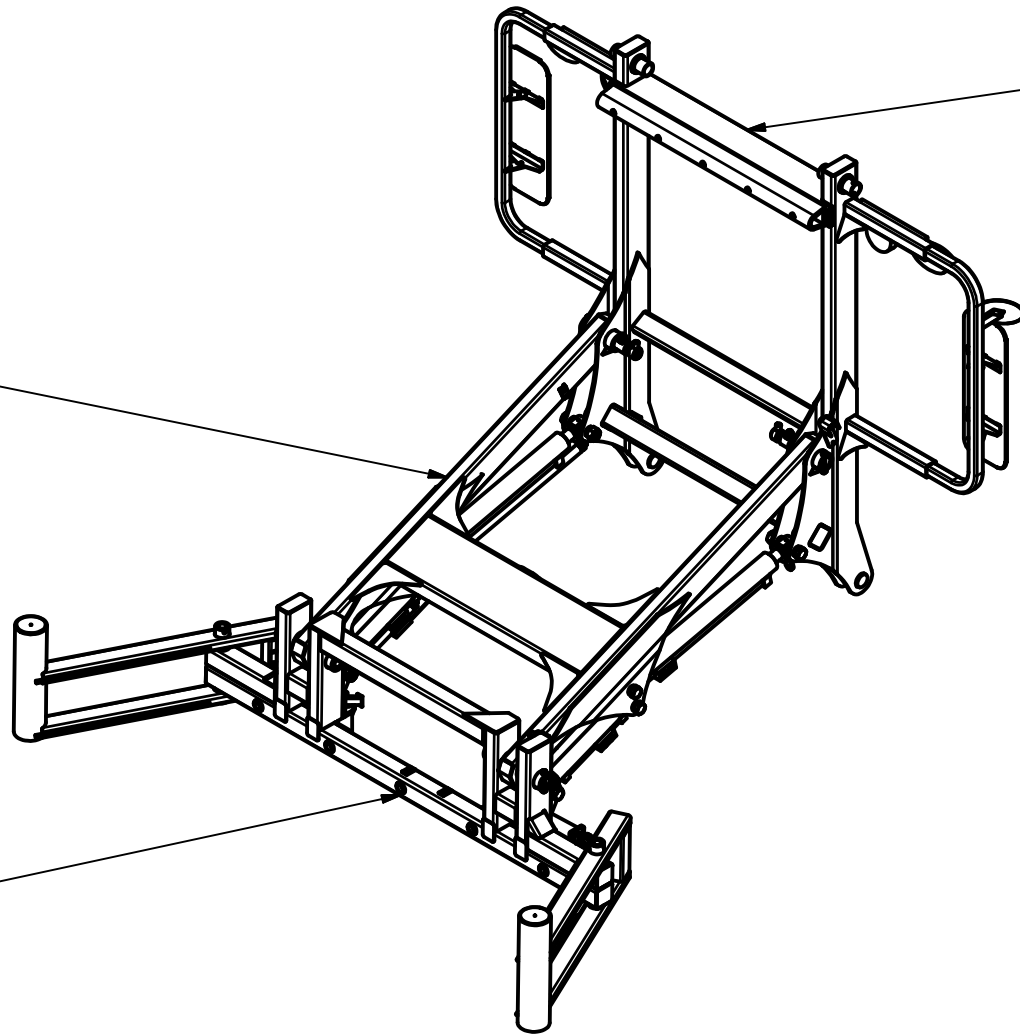
Back

Home

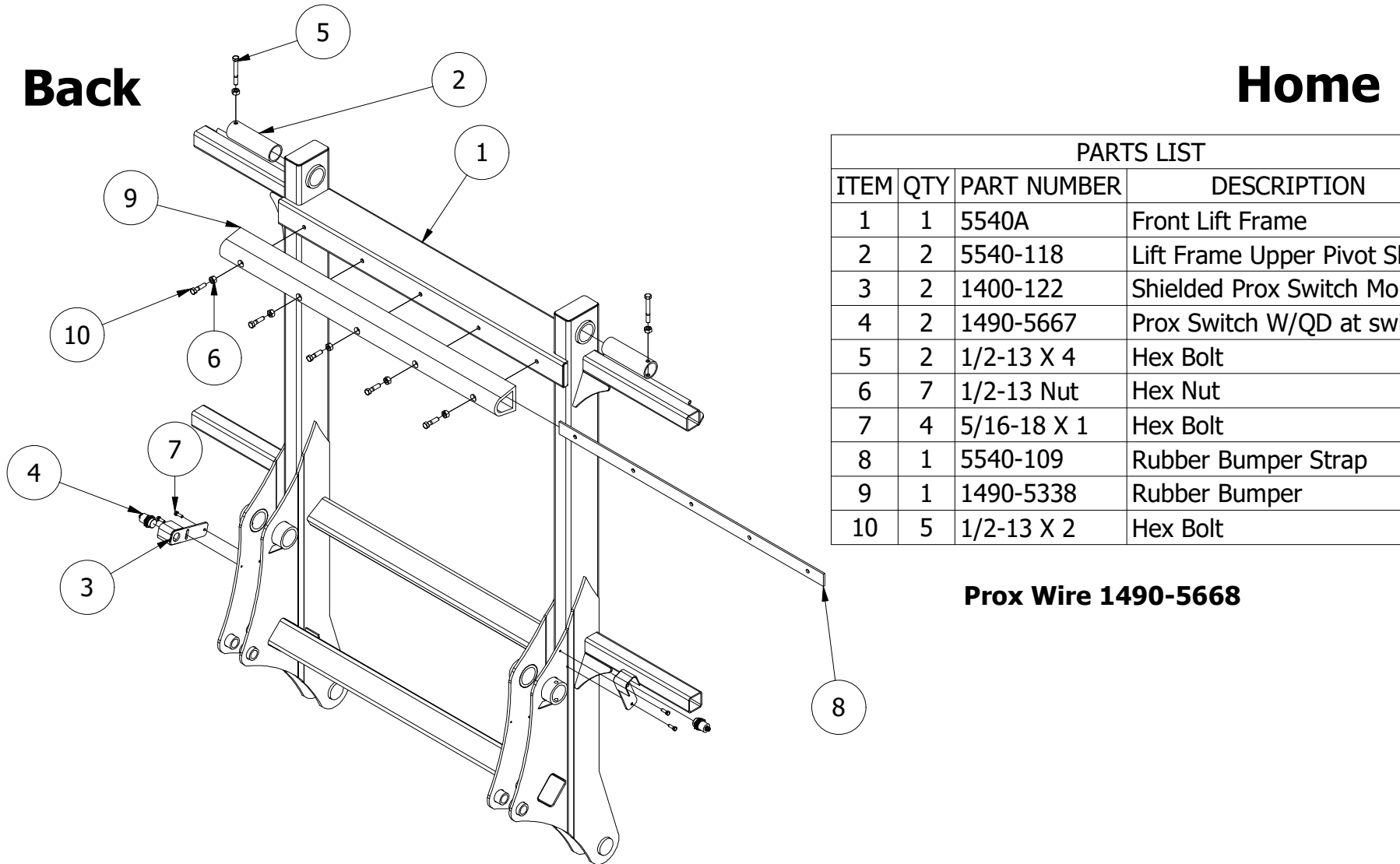
Lift Arm

Lift Frame

Tilt Frame



Lift Frame Assy 2



| PARTS LIST | | | |
|------------|-----|-------------|------------------------------|
| ITEM | QTY | PART NUMBER | DESCRIPTION |
| 1 | 1 | 5540A | Front Lift Frame |
| 2 | 2 | 5540-118 | Lift Frame Upper Pivot Shaft |
| 3 | 2 | 1400-122 | Shielded Prox Switch Mount |
| 4 | 2 | 1490-5667 | Prox Switch W/QD at switch |
| 5 | 2 | 1/2-13 X 4 | Hex Bolt |
| 6 | 7 | 1/2-13 Nut | Hex Nut |
| 7 | 4 | 5/16-18 X 1 | Hex Bolt |
| 8 | 1 | 5540-109 | Rubber Bumper Strap |
| 9 | 1 | 1490-5338 | Rubber Bumper |
| 10 | 5 | 1/2-13 X 2 | Hex Bolt |

Prox Wire 1490-5668

Lift Frame Assy

Back

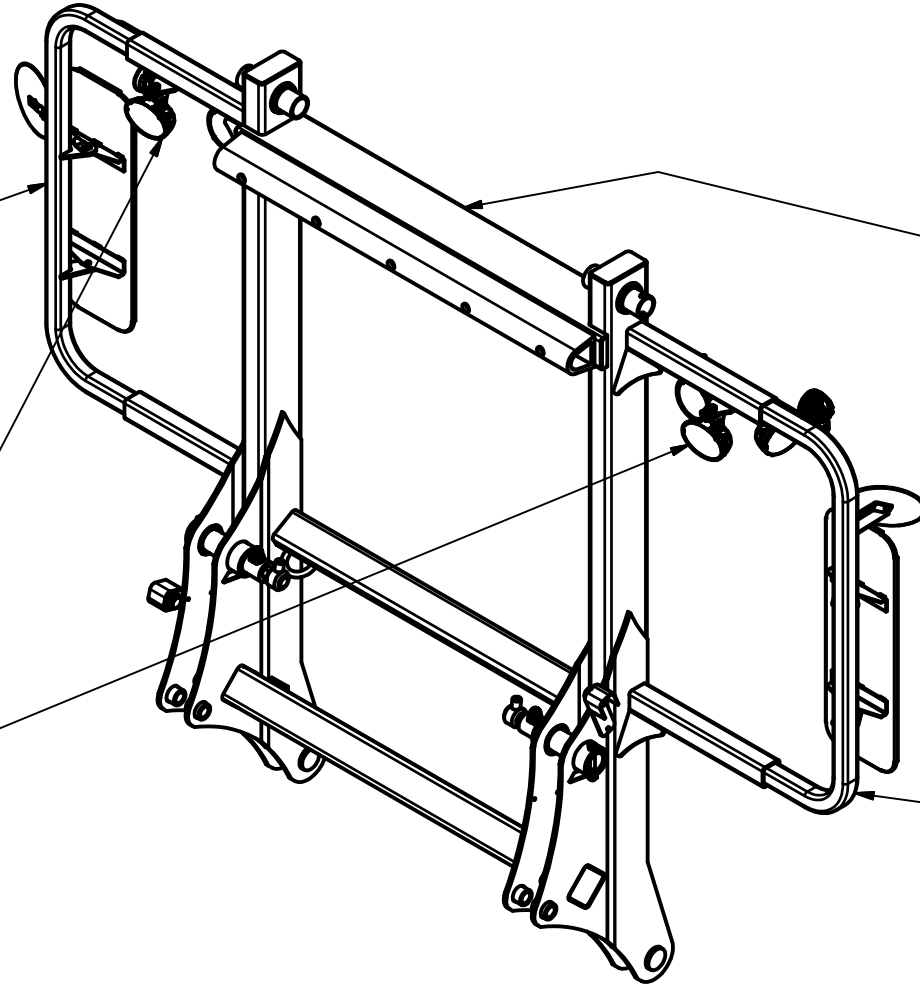
Home

RH Mirror

Lift Frame

Lights

LH Mirror



Lift Arm Assy

Back

Home

**Lift Cyl.
W/ Sensor**

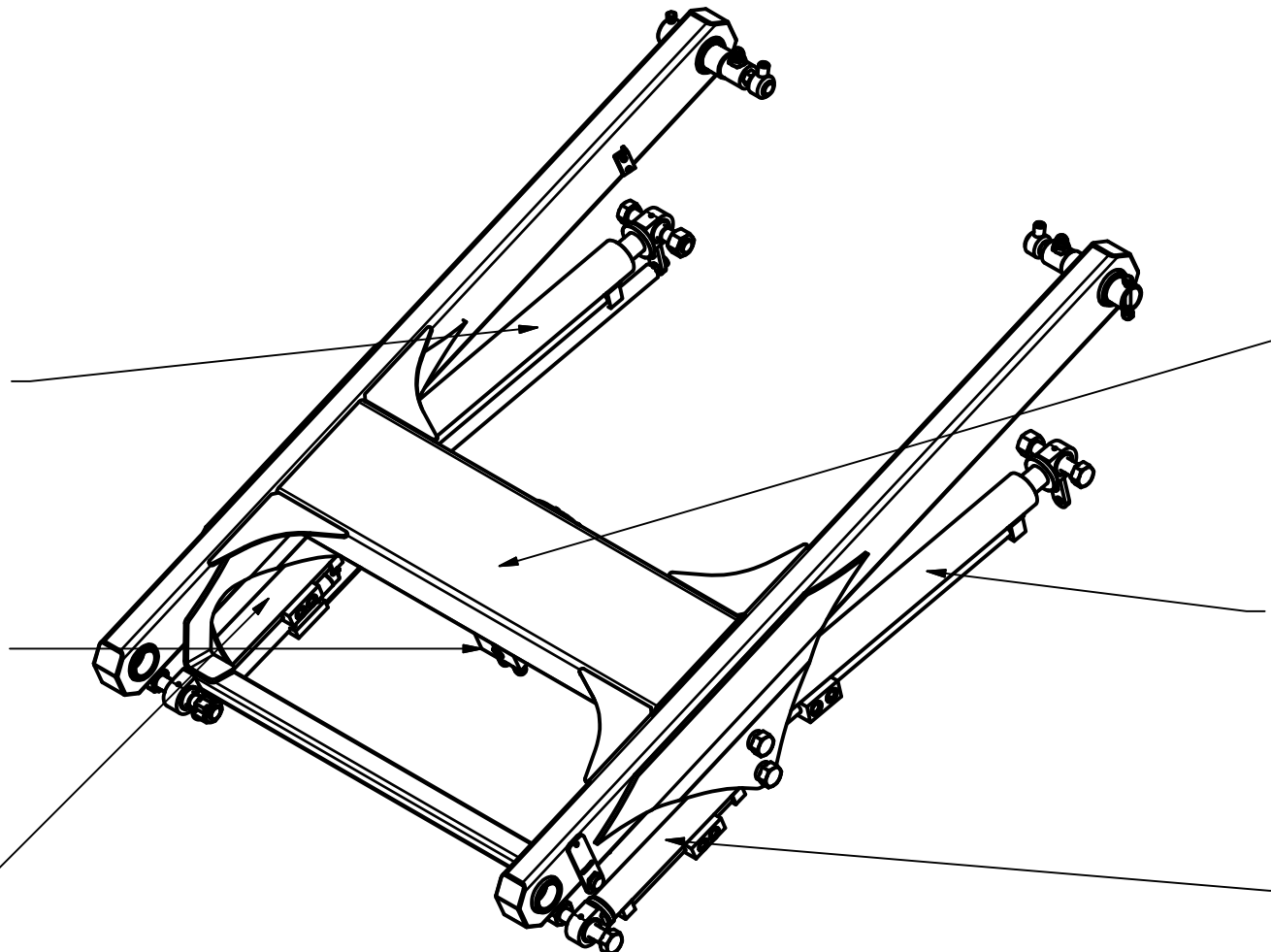
Lift Arm

**Hyd. Valve
Block**

Lift Cyl.

**Tilt Cyl
W/Sensor**

Tilt Cyl.



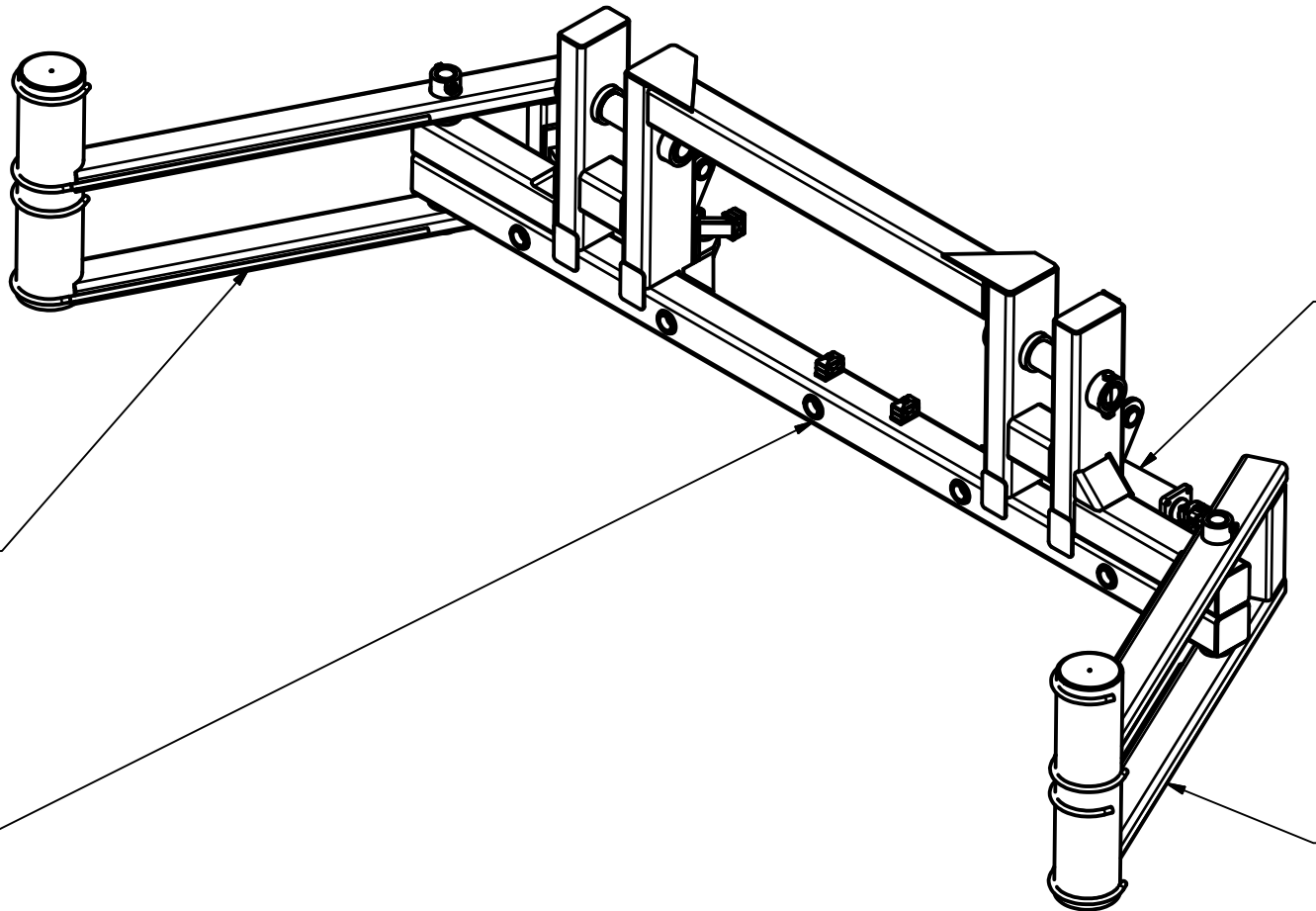
Squeeze Tilt Frame Assy

Back

Home

Sqz. Cyl.

RH Sq Arm



Tilt Frame

LH Sq Arm



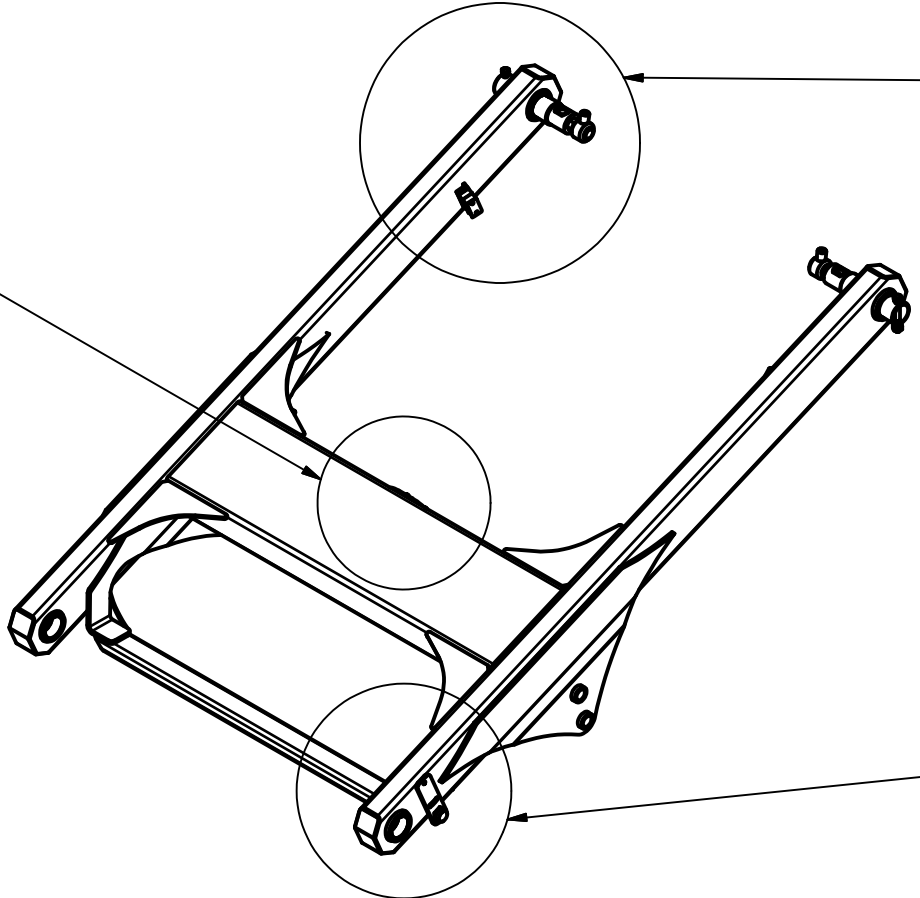
Lift Arm

Back

Home

Detail C

Detail A

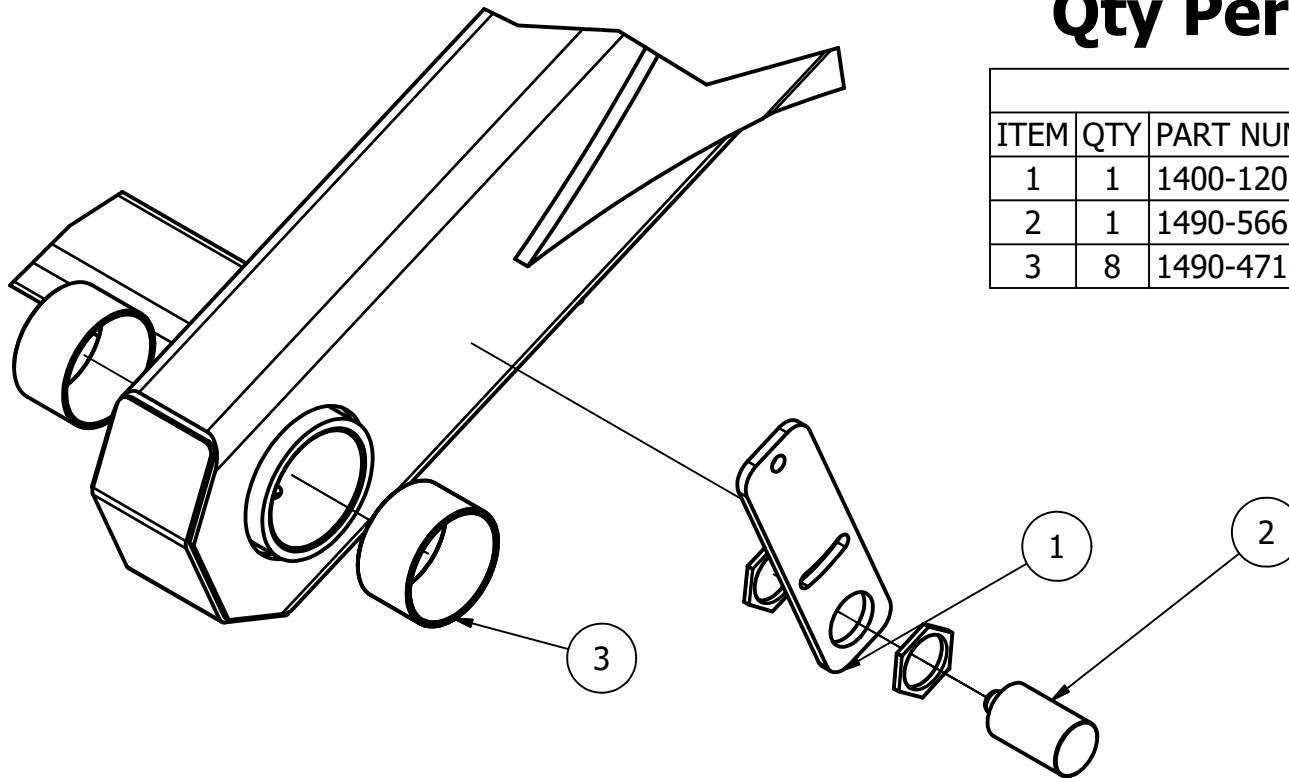


Detail B

Lift Arm Detail B

Back

Home



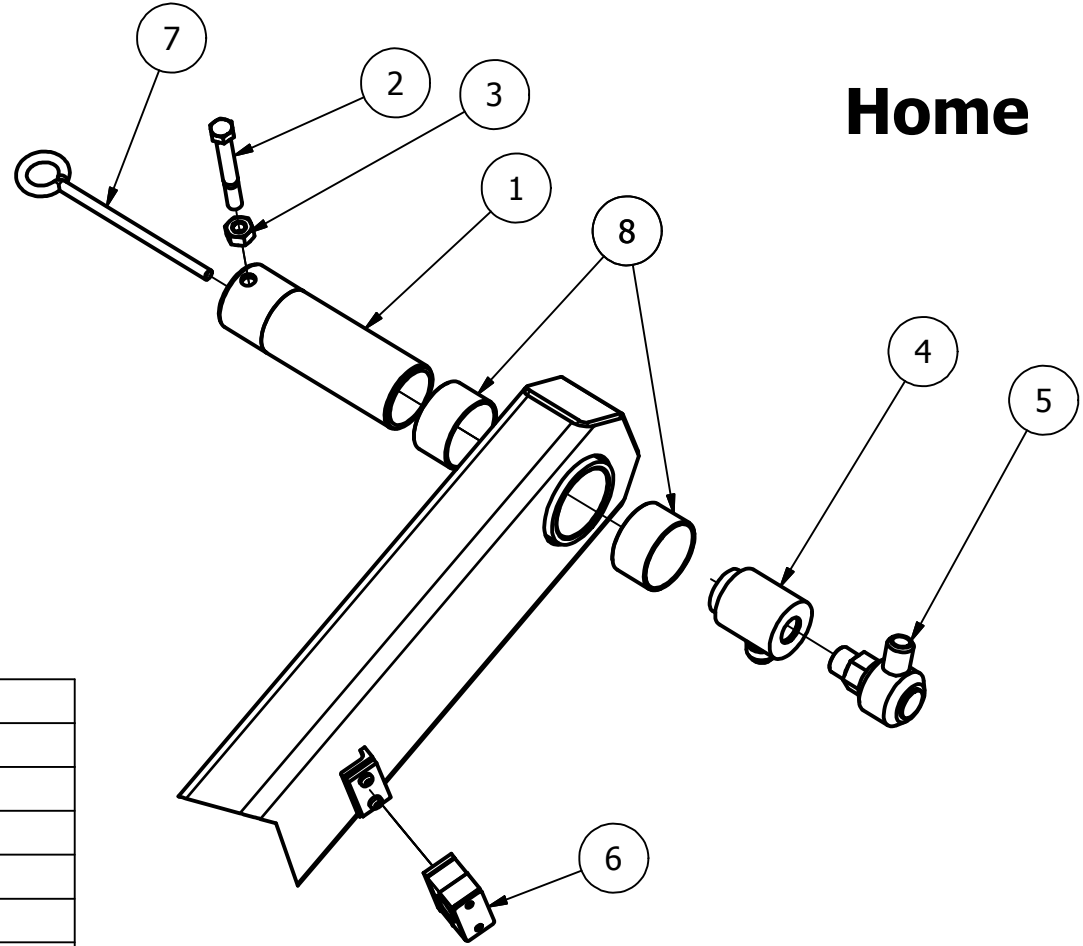
Qty Per Lift Arm Assy

| PARTS LIST | | | |
|------------|-----|-------------|----------------------------|
| ITEM | QTY | PART NUMBER | DESCRIPTION |
| 1 | 1 | 1400-120 | Prox Switch Mount |
| 2 | 1 | 1490-5667 | Prox Switch W/QD at switch |
| 3 | 8 | 1490-4716 | Wear Bushing |

Lift Arm Detail A

Back

Home



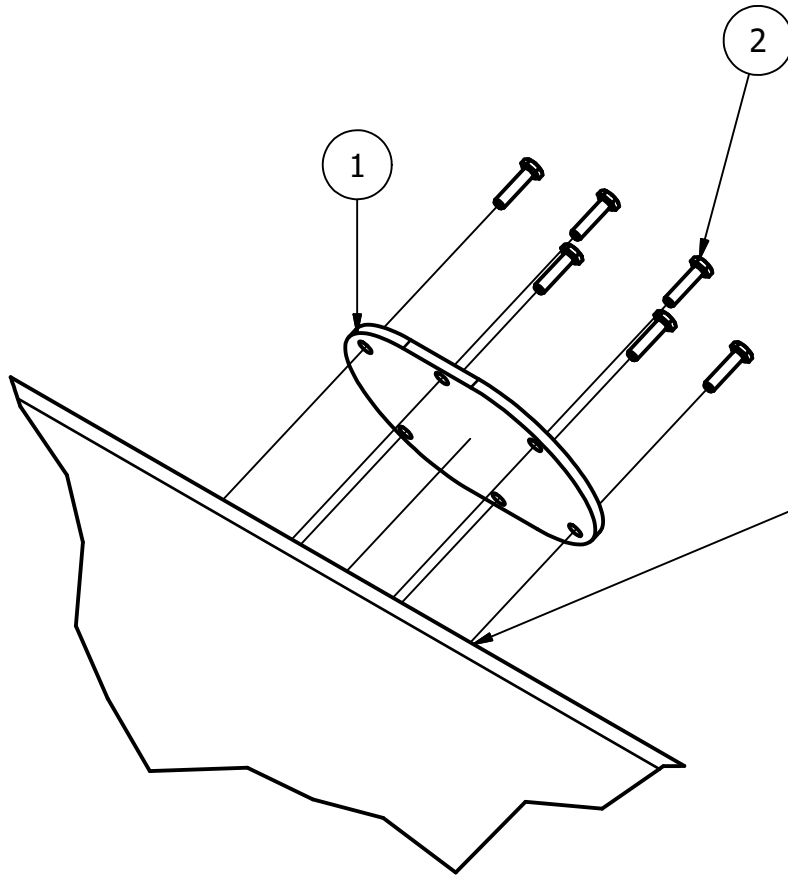
Qty Per Lift Arm Assy

| PARTS LIST | | | |
|------------|-----|-------------|----------------------------|
| ITEM | QTY | PART NUMBER | DESCRIPTION |
| 1 | 2 | 5540-111 | Main Pivot Shaft |
| 2 | 2 | 1/2-13 X 4" | Bolt |
| 3 | 2 | 1/2-13 Nut | Nut |
| 4 | 2 | 1490-5879 | High Pressure Swivel Mount |
| 5 | 2 | 1490-5849 | High Pressure Swivel |
| 6 | 4 | Kit-Sng-.75 | 3/4" Single Hose Clamp |
| 7 | 2 | Eye bolt | 3/8 X 8 Eye bolt |
| 8 | 8 | 1490-4716 | Wear Bushing |

Lift Arm Detail C

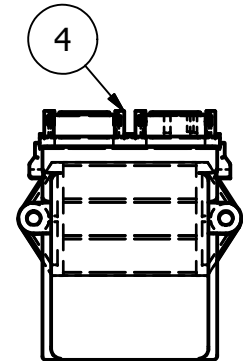
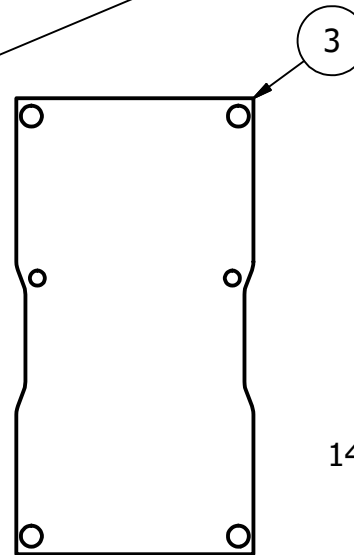
Back

Home



| PARTS LIST | | | |
|------------|-----|-------------|----------------------------|
| ITEM | QTY | PART NUMBER | DESCRIPTION |
| 1 | 1 | 5530-125 | Lift Arm Crossmember Cover |
| 2 | 6 | 1/4-20 X 1 | 1/4-20 X 1 Hex Head Bolt |
| 3 | 1 | 5530-121 | EVDR-6 Mounting Plate |
| 4 | 1 | 1490-5861 | EVDR-6 Controller |
| 5 | 1 | 1490-5887 | Frontend Wiring Harness |

Inside the Crosstube



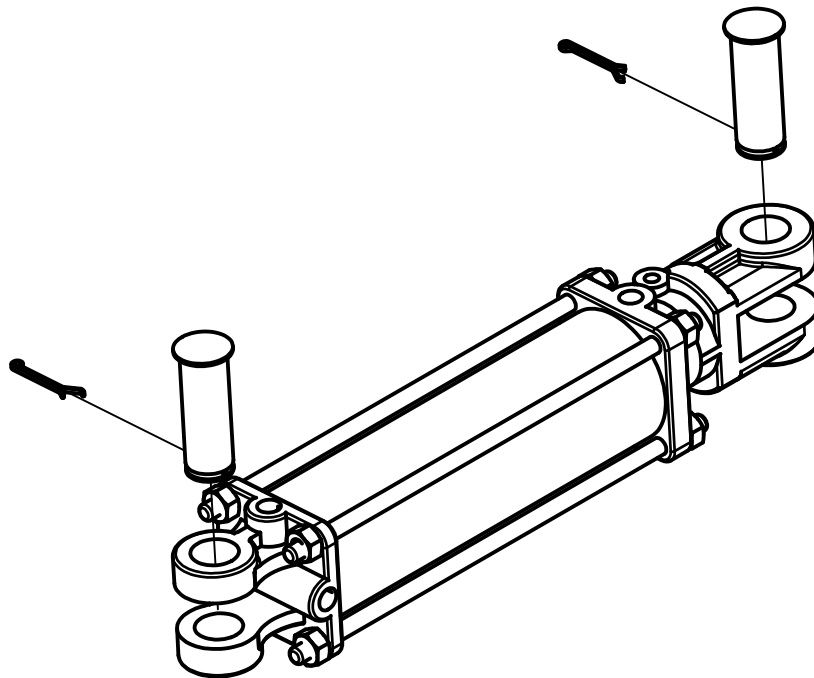
1490-5887 Front Wiring Harness includes Valve and Cylinder Sensor Wires

Tilt Squeeze Cylinder Assy

(2-1/2 X 6 X 1-1/8" Cylinder)

Back

Home



Cylinder Part Number

14905147

(Comes with both Cylinder pins)

Seal Kit Part Number

14901872

(2-1/2" bore, 6" Stroke, 1-1/8" Rod)

Rod End Clevis Part Number

14905958

(Hardened for 1" Cylinder pins 1-1/8" Thread)

Cylinder Pin Part Number

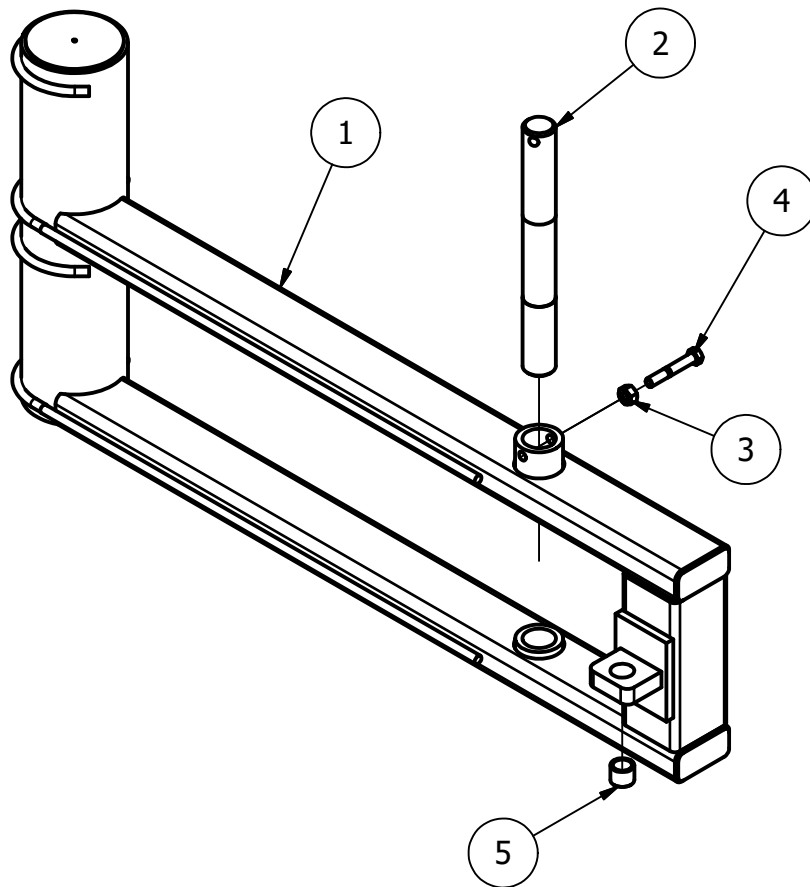
14904566

(1 X 2-3/4" W/Cotter pin)

RH Front Squeeze Arm Assy

Back

Home

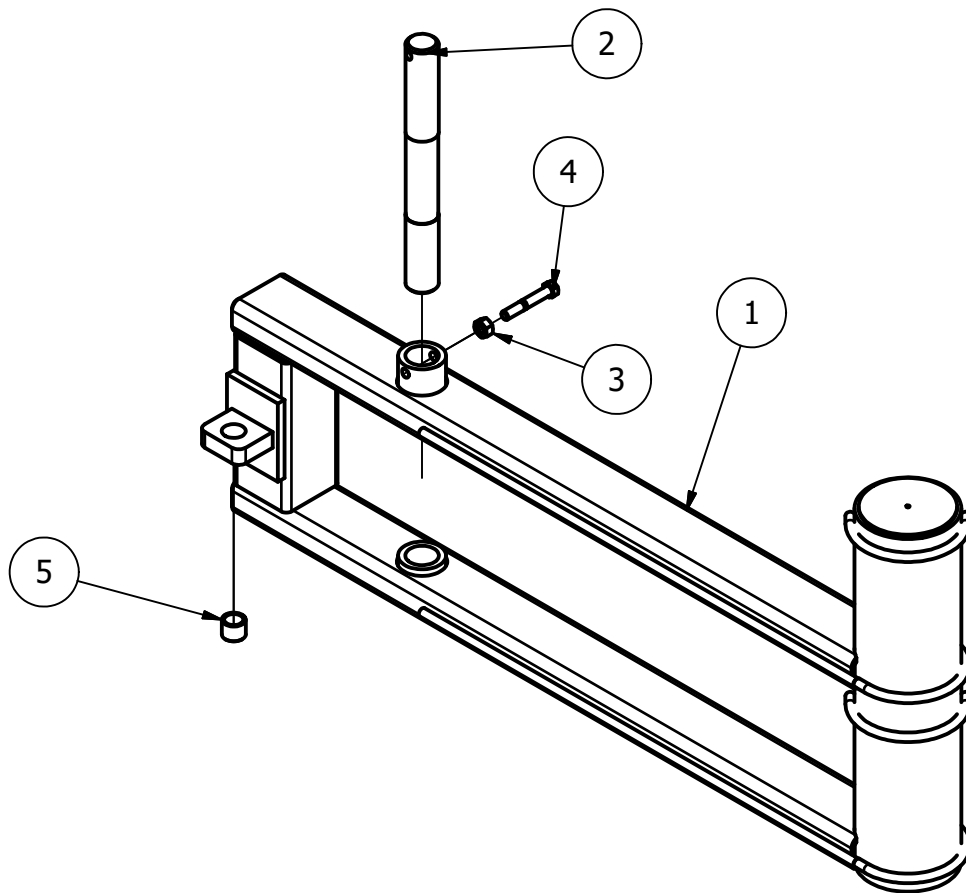


| PARTS LIST | | | |
|------------|-----|---------------------|----------------|
| ITEM | QTY | PART NUMBER | DESCRIPTION |
| 1 | 1 | 1425A2R | RH Squeeze Arm |
| 2 | 1 | 1420-305 | Machined Shaft |
| 3 | 1 | 1/2-13 Nut | Hex Nut |
| 4 | 1 | 1/2-13 X 3-1/4 Bolt | Hex Bolt |
| 5 | 1 | 14902030 | Wear Bushing |

LH Front Squeeze Arm Assy

Back

Home

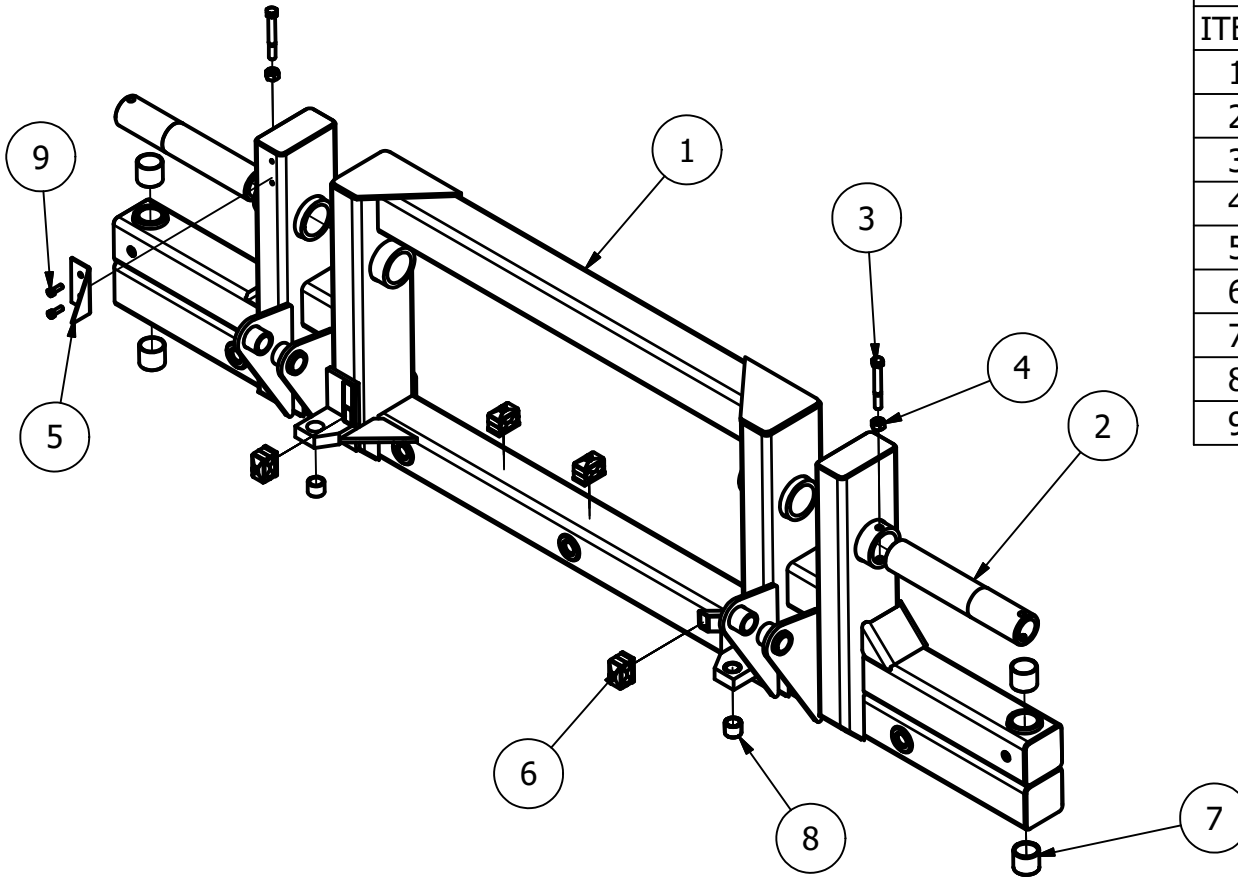


| PARTS LIST | | | |
|------------|-----|---------------------|----------------|
| ITEM | QTY | PART NUMBER | DESCRIPTION |
| 1 | 1 | 1425A2L | RH Squeeze Arm |
| 2 | 1 | 1420-305 | Machined Shaft |
| 3 | 1 | 1/2-13 Nut | Hex Nut |
| 4 | 1 | 1/2-13 X 3-1/4 Bolt | Hex Bolt |
| 5 | 1 | 14902030 | Wear Bushing |

Squeeze Front Tilt Frame Assy

Back

Home

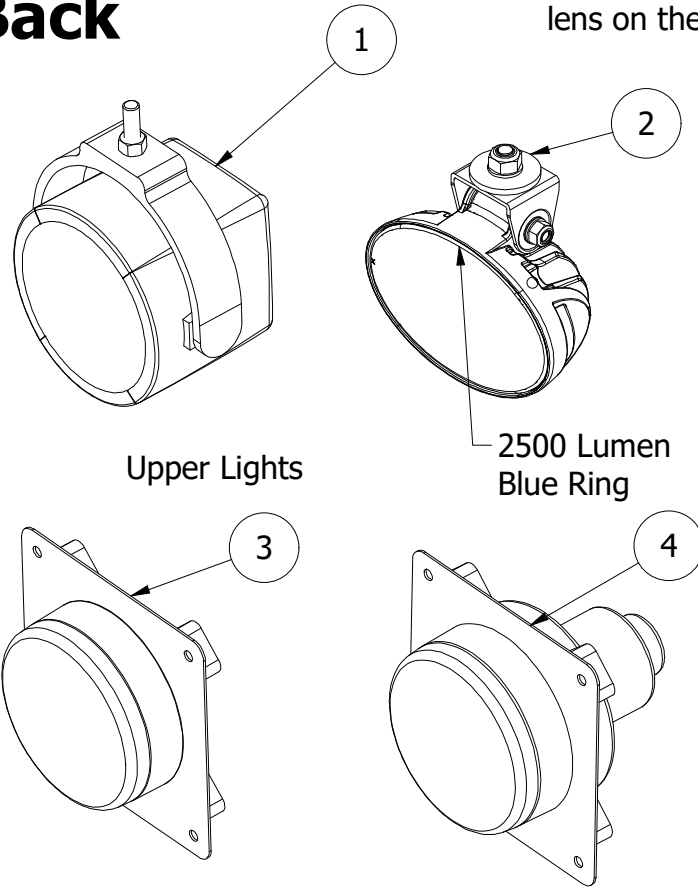


| PARTS LIST | | | |
|------------|-----|--------------|---------------------------|
| ITEM | QTY | PART NUMBER | DESCRIPTION |
| 1 | 1 | 5525A | Front Squeeze Tilt Frame |
| 2 | 2 | 5520-110 | Tilt Pivot Shaft |
| 3 | 2 | 1/2-13 X 4 | Hex Bolt |
| 4 | 2 | 1/2-13 Nut | Hex Nut |
| 5 | 1 | 5520-200 | Tilt Prox Adjustent Angle |
| 6 | 4 | KIT-DBL-.375 | 3/8" Double Hose Clamp |
| 7 | 4 | 14904654 | Wear Bushing |
| 8 | 2 | 14902030 | Wear Bushing |
| 9 | 2 | 5/16-18 X 1 | Hex Bolt |

Work Lights

The two Oval Trilliant lights look identical in appearance except for a Blue Ring along the outer edge of the lens on the 2500 lumen (Forward Facing) light.

Back



Upper Lights

2500 Lumen Blue Ring

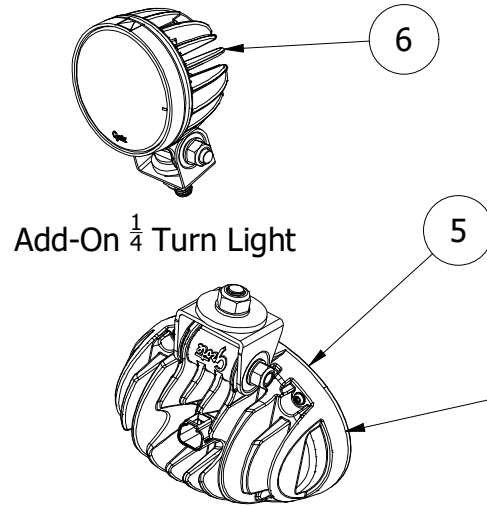
Hi Beam Bulb
1490-6616

Bumper Lights

Low Beam Bulb
1490-6617

Home

1490-6690 Wire Harness required to add any LED light to an older machine



Add-On $\frac{1}{4}$ Turn Light

Rear-Facing 1/4-Turn & Squeeze-Rail Lights
1200 Lumen (No Blue Ring)

Wiring Harnesses

| Quantity per machine | | PARTS LIST | |
|----------------------|-----|-------------|--|
| ITEM | QTY | PART NUMBER | DESCRIPTION |
| 1 | 2 | 1490-6770 | Rallye 4000 LED Driving Lamp |
| 2 | 2 | 1490-6320 | Trilliant LED Oval 2500 Lumens Flood Light |
| 3 | 2 | 1490-6558 | Hi Beam Headlight (2014 & Later Inner) |
| 4 | 2 | 1490-6557 | Low Beam Headlight (2014 & Later Outer) |
| 5 | 6 | 1490-6319 | Trilliant LED Oval 1200 Lumens Flood Light |
| 6 | 1 | 1490-6611 | Trilliant T26 LED 1400 Flood Light |

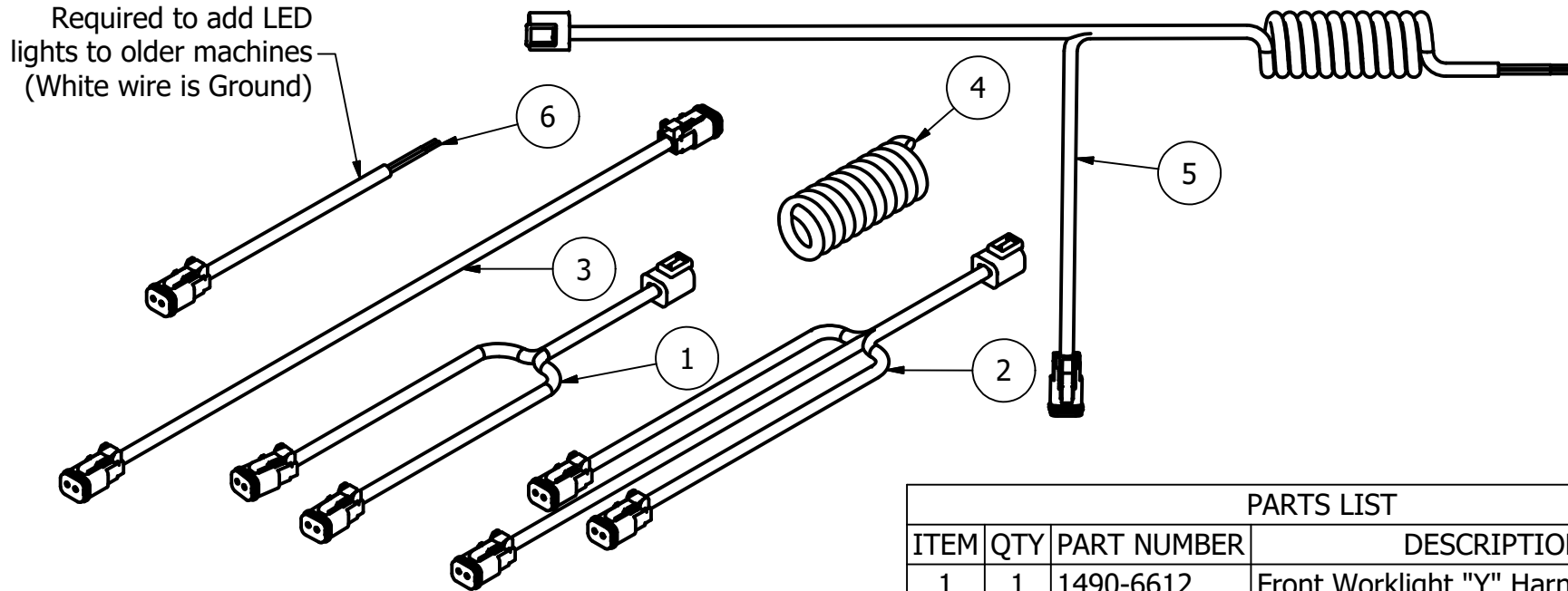
Wiring Harnesses

Back

Not Drawn to Scale

Home

Required to add LED lights to older machines
(White wire is Ground)



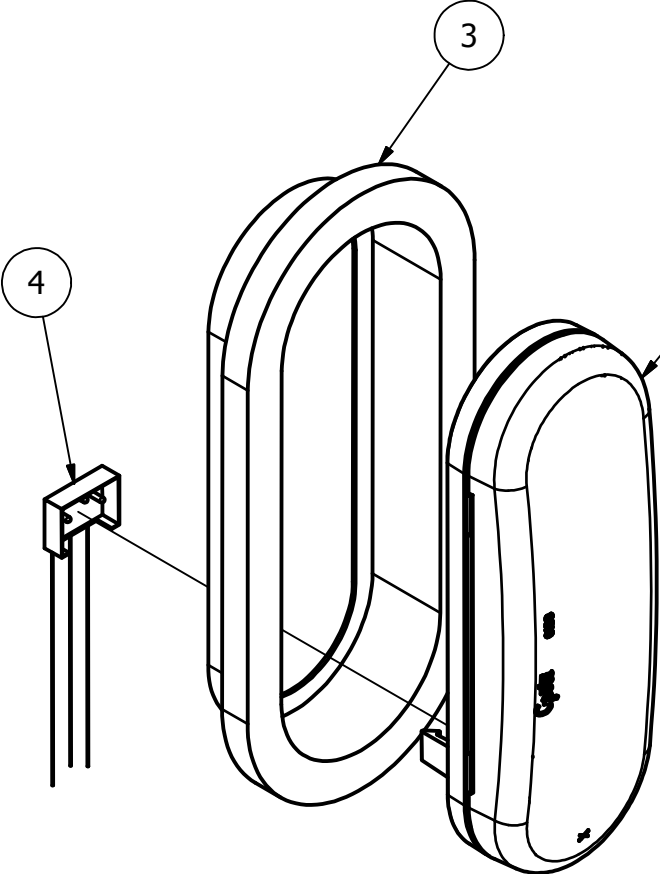
PARTS LIST

| ITEM | QTY | PART NUMBER | DESCRIPTION |
|------|-----|-------------|------------------------------------|
| 1 | 1 | 1490-6612 | Front Worklight "Y" Harness (LH) |
| 2 | 1 | 1490-6613 | Front Worklight "W" Harness (RH) |
| 3 | 1 | 1490-6689 | Squeeze Rail Wiring Harness (Long) |
| 4 | 1 | 1490-5955 | Rear Work Light Power Supply Cord |
| 5 | 1 | 1490-6691 | Squeeze Rail Wire Harness Assembly |
| 6 | 1 | 1490-6690 | Rear Work Light Power Supply Cord |

LED Turn/Brake Lights

Back

Home

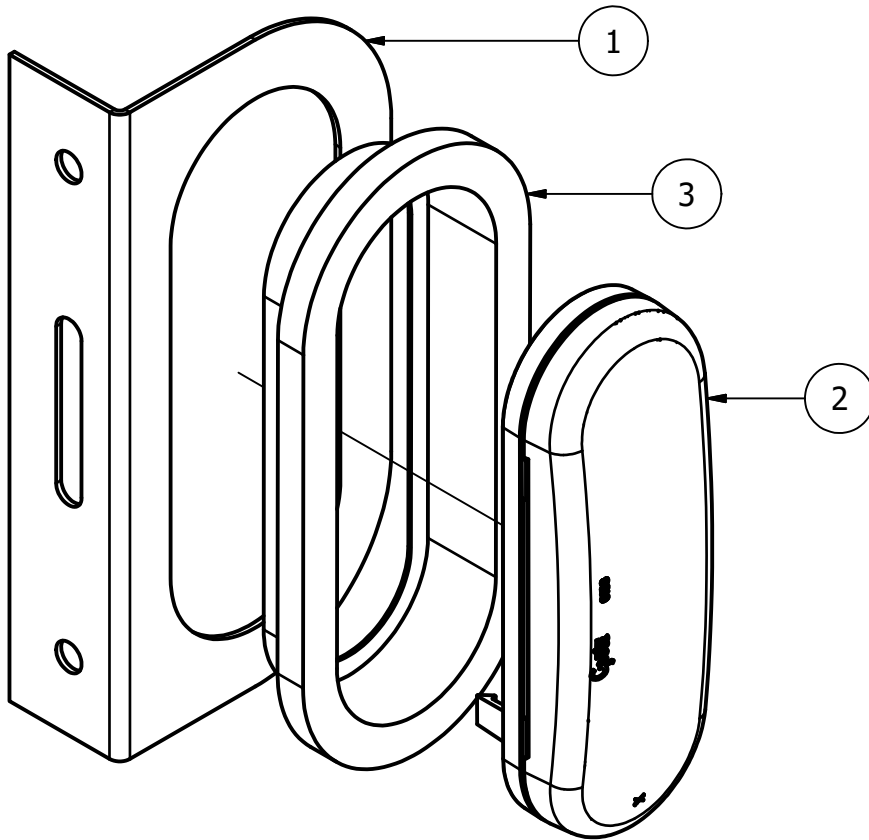


| PARTS LIST | | | |
|------------|-----|-------------|--------------------------------|
| ITEM | QTY | PART NUMBER | DESCRIPTION |
| 1 | 1 | 1490-6188 | Red LED Turn/Brake Light |
| 2 | 1 | 1490-6189 | Amber LED Turn Signal Light |
| 3 | 1 | 1490-6265 | Rubber Grommet for Tail lights |
| 4 | 1 | 1490-6266 | 3-Pin Pigtail |

Compartment Light Detail

Back

Home

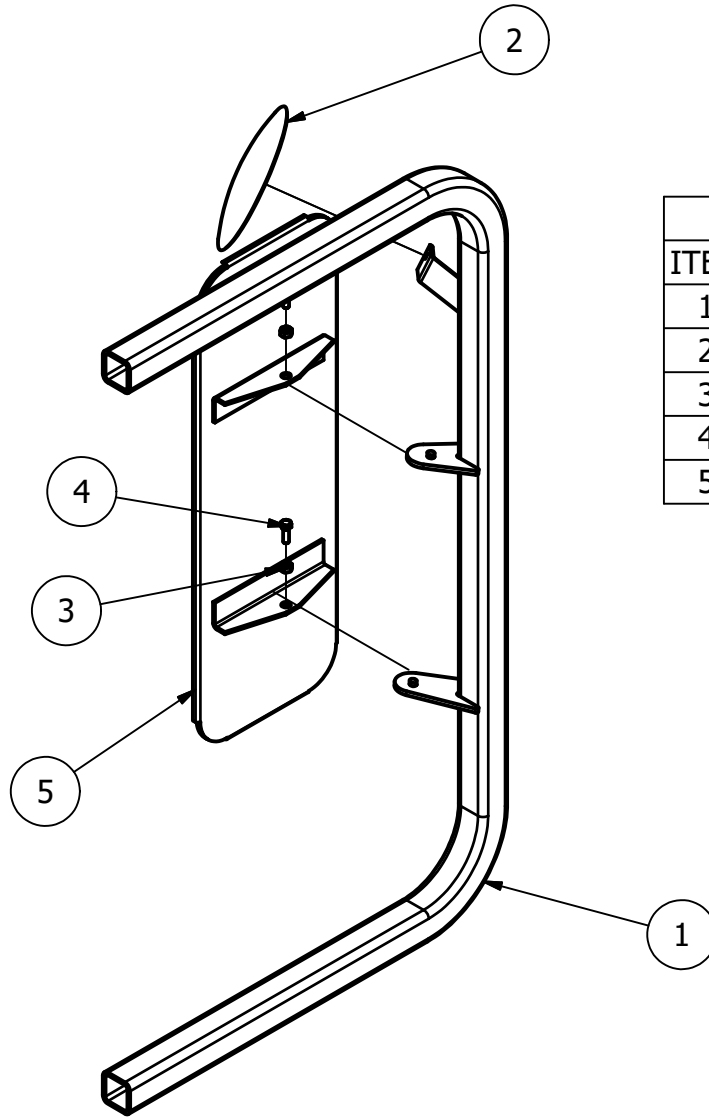


| PARTS LIST | | | |
|------------|-----|-------------|------------------------------------|
| ITEM | QTY | PART NUMBER | DESCRIPTION |
| 1 | 1 | 1490-3502 | Black Steel Oval Light Bracket |
| 2 | 1 | 1490-6321 | Oval 6" LED Dome Compartment Light |
| 3 | 1 | 1490-6265 | Rubber Grommet for Tail lights |

LH Mirror Bracket

Back

Home

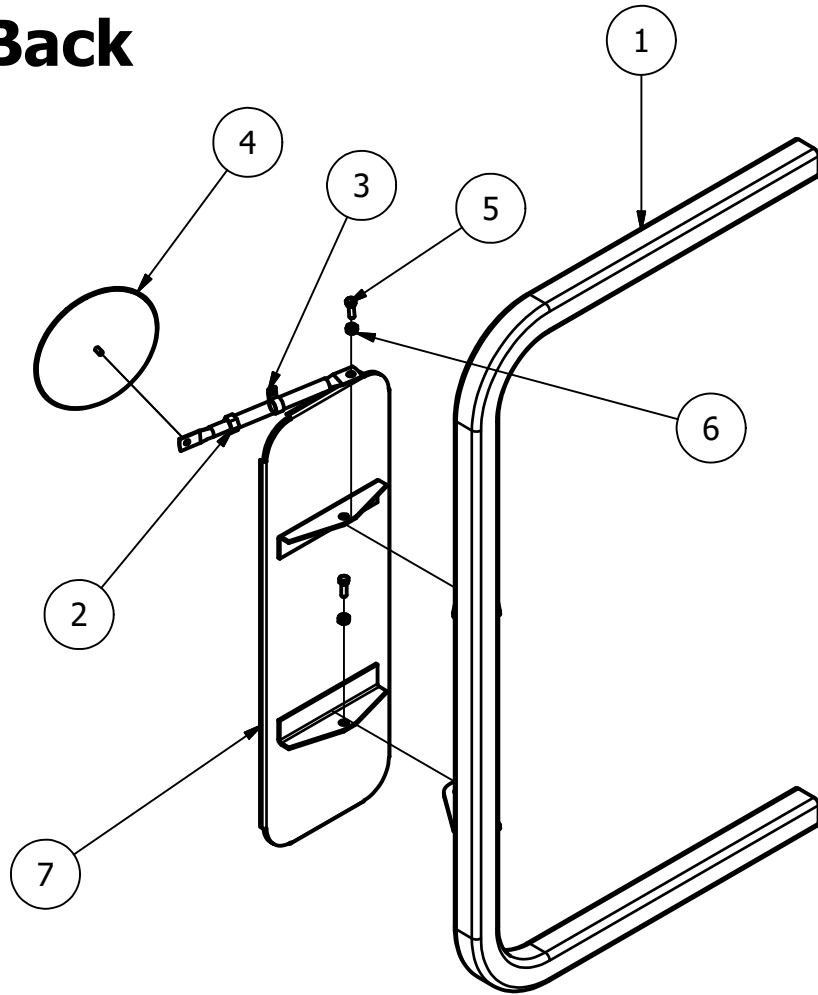


| PARTS LIST | | | |
|------------|-----|-------------|-----------------------------------|
| ITEM | QTY | PART NUMBER | DESCRIPTION |
| 1 | 1 | 2006A3L | 2006 500 Series LH Mirror Bracket |
| 2 | 1 | 1490-5087 | 8" Rd Convex Mirror |
| 3 | 2 | 5/16 - 18 | Hex Nut |
| 4 | 2 | 5/16-18 X 1 | Hex Bolt |
| 5 | 1 | 1490-5379 | 10X30 Mirror Assy |

RH Mirror Bracket

Back

Home



| PARTS LIST | | | |
|------------|-----|---------------|-----------------------------------|
| ITEM | QTY | PART NUMBER | DESCRIPTION |
| 1 | 1 | 2006A3R | 2006 500 Series RH Mirror Bracket |
| 2 | 1 | 1490-6564 | Mirror Ext. Arm |
| 3 | 1 | Waytek #25512 | 3/4" Vinyl coated Cable Clamp |
| 4 | 1 | 1490-5087 | 8" Rd Convex Mirror |
| 5 | 2 | 5/16-18 X 1 | Hex Bolt |
| 6 | 2 | 5/16 - 18 | Hex Nut |
| 7 | 1 | 1490-5379 | 10X30 Mirror Assy |

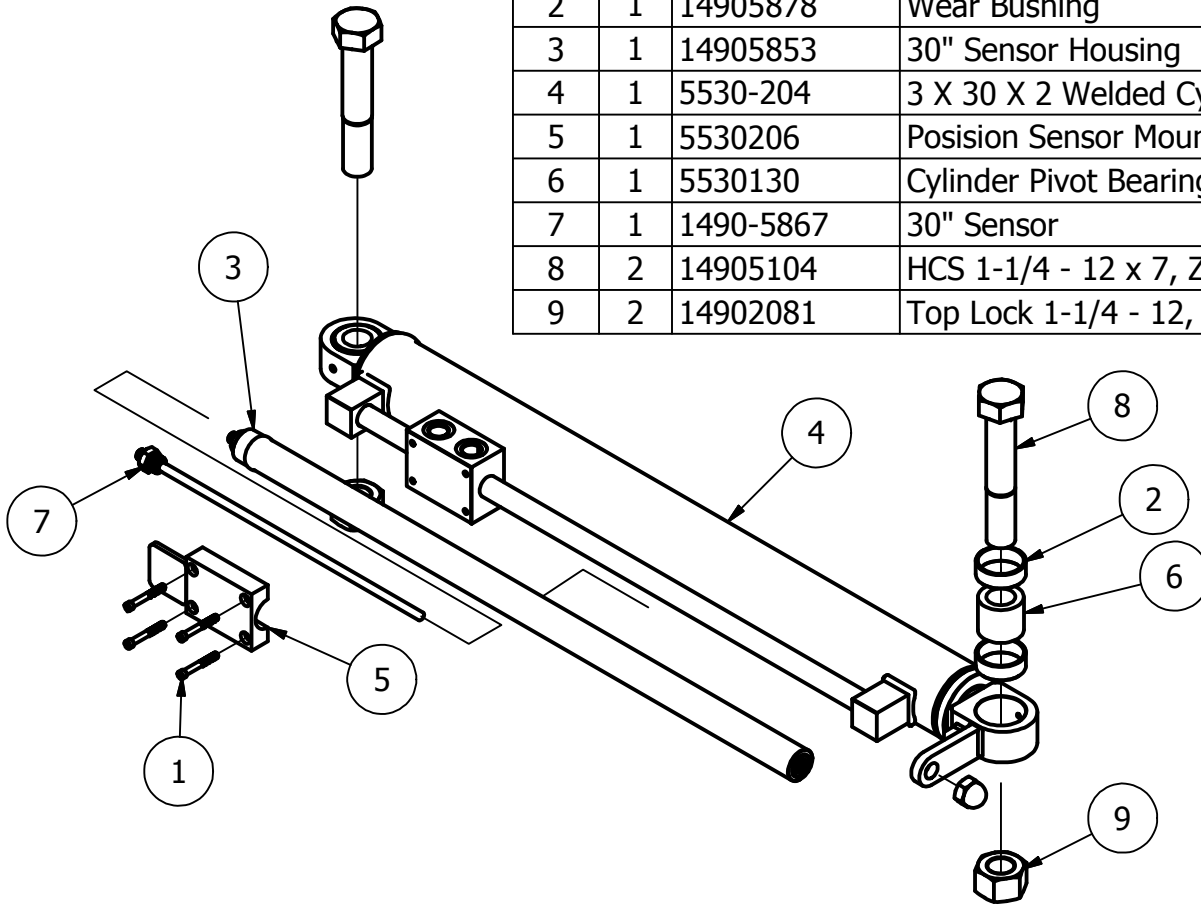
5530-204RH

(5530-204 W/Sensor)

| PARTS LIST | | | |
|------------|-----|-------------|---|
| ITEM | QTY | PART NUMBER | DESCRIPTION |
| 1 | 4 | Cap Screw | 1/4 X 2-1/4 Allen Head Cap Screw |
| 2 | 1 | 14905878 | Wear Bushing |
| 3 | 1 | 14905853 | 30" Sensor Housing |
| 4 | 1 | 5530-204 | 3 X 30 X 2 Welded Cylinder |
| 5 | 1 | 5530206 | Position Sensor Mounting Cap |
| 6 | 1 | 5530130 | Cylinder Pivot Bearing |
| 7 | 1 | 1490-5867 | 30" Sensor |
| 8 | 2 | 14905104 | HCS 1-1/4 - 12 x 7, Zinc Plate Grade 8 |
| 9 | 2 | 14902081 | Top Lock 1-1/4 - 12, Zinc Plate Grade 8 |

Back

Home



Cylinder Seal Kit 1490-5019

Sensor Housing Seal Kit 1490-6297

Sensor requires 1 - 8MB O-Ring

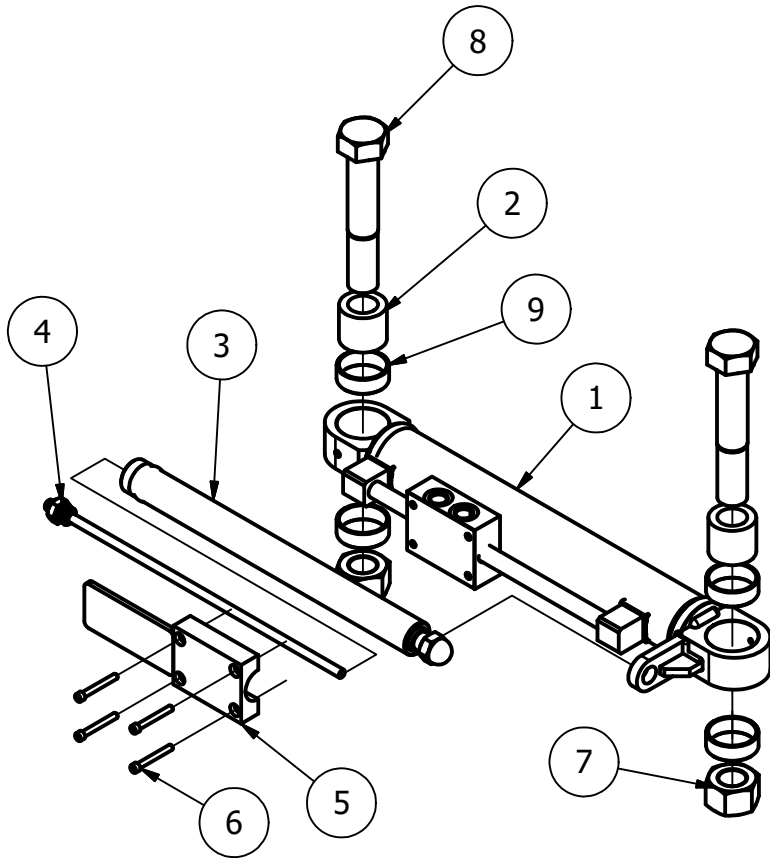
Acorn Nut for Sensor Housing 1490-6624

5530-205RH

(5530-205 W/Sensor)

Back

Home



| PARTS LIST | | | |
|------------|-----|-------------|---|
| ITEM | QTY | PART NUMBER | DESCRIPTION |
| 1 | 1 | 5530-205 | 2-1/4 X 13 Tilt Cylinder |
| 2 | 2 | 5530-130 | Cylinder Pivot Bearing |
| 3 | 1 | 1490-5854 | 13" Sensor Housing |
| 4 | 1 | 1490-5866 | 13" Sensor |
| 5 | 1 | 5530207 | Position Sensor Mounting Cap Weldment |
| 6 | 4 | Cap Screw | 1/4 X 2-1/4 Cap Screw |
| 7 | 2 | 14902081 | Top Lock 1-1/4 - 12, Zinc Plate Grade 8 |
| 8 | 2 | 14905104 | HCS 1-1/4 - 12 x 7, Zinc Plate Grade 8 |
| 9 | 4 | 1490-5878 | Wear Bushing |

Cylinder Seal Kit 1490-4756

Sensor Housing Seal Kit 1490-6297

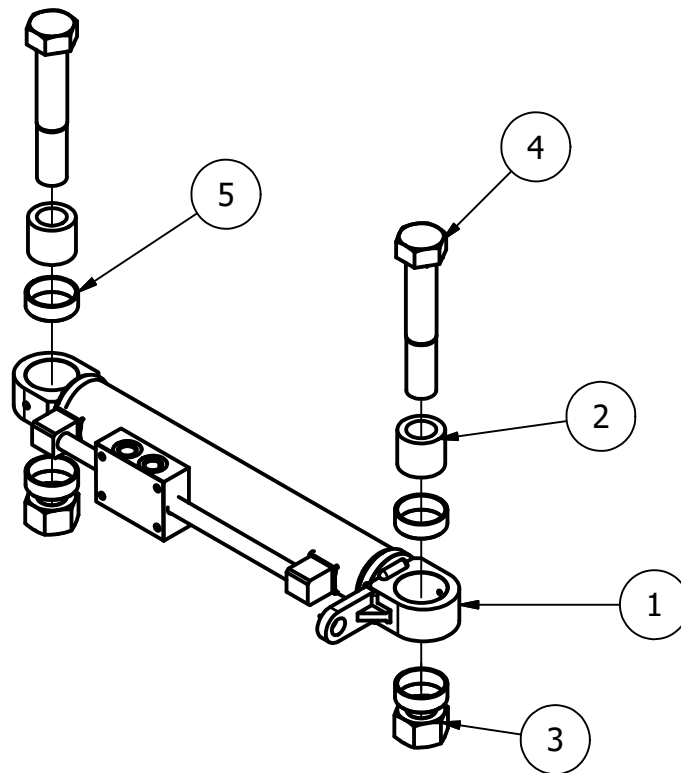
Sensor requires 1 - 8MB O-Ring

Acorn Nut for Sensor Houseing 1490-6624

5530-205

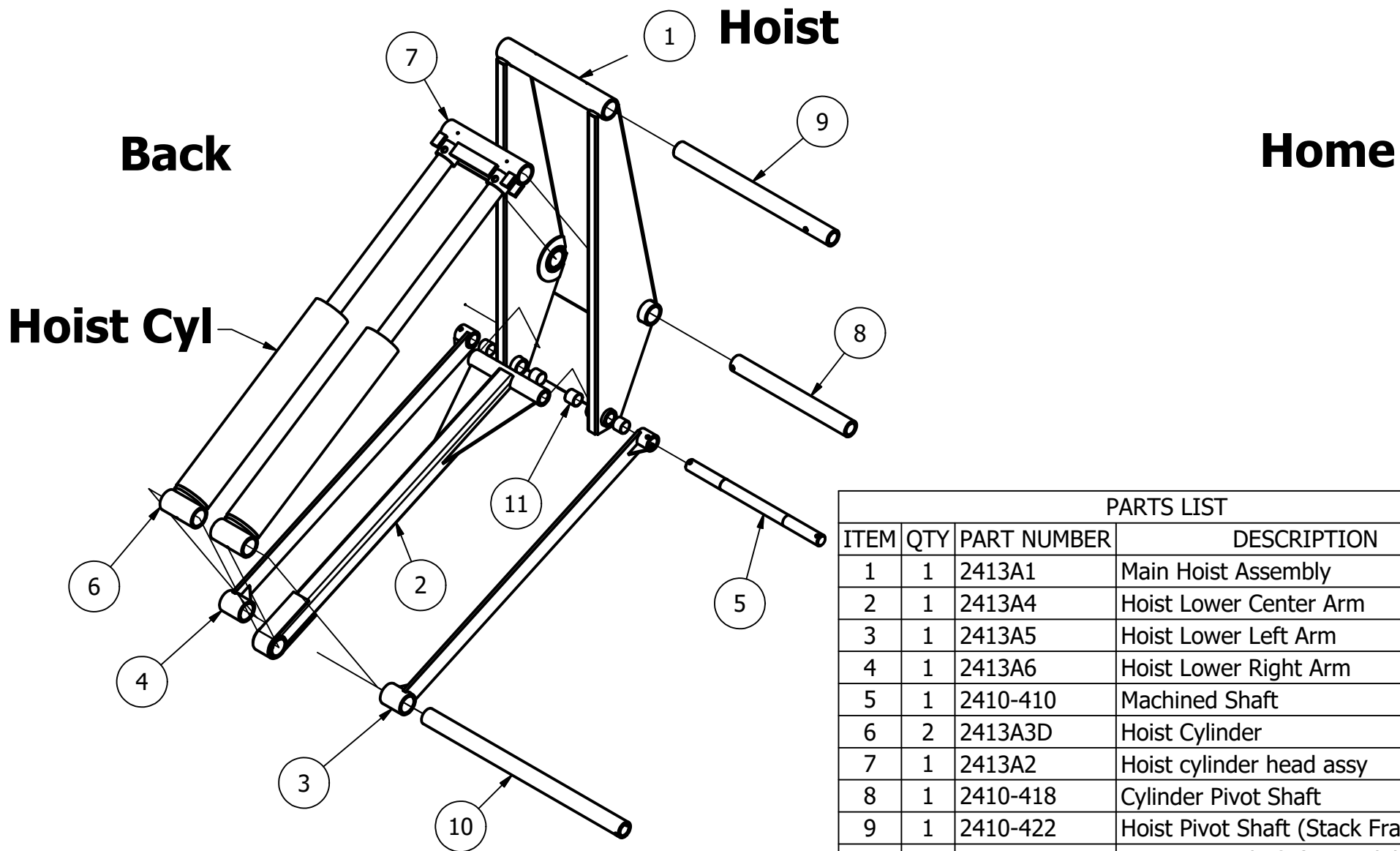
[Back](#)

[Home](#)



| PARTS LIST | | | |
|------------|-----|-------------|---|
| ITEM | QTY | PART NUMBER | DESCRIPTION |
| 1 | 1 | 5530-205 | 2-1/4 X 13 Tilt Cylinder |
| 2 | 2 | 5530-130 | Cylinder Pivot Bearing |
| 3 | 2 | 14902081 | Top Lock 1-1/4 - 12, Zinc Plate Grade 8 |
| 4 | 2 | 14905104 | HCS 1-1/4 - 12 x 7, Zinc Plate Grade 8 |
| 5 | 4 | 1490-5878 | Wear Bushing |

Cylinder Seal Kit 1490-4756

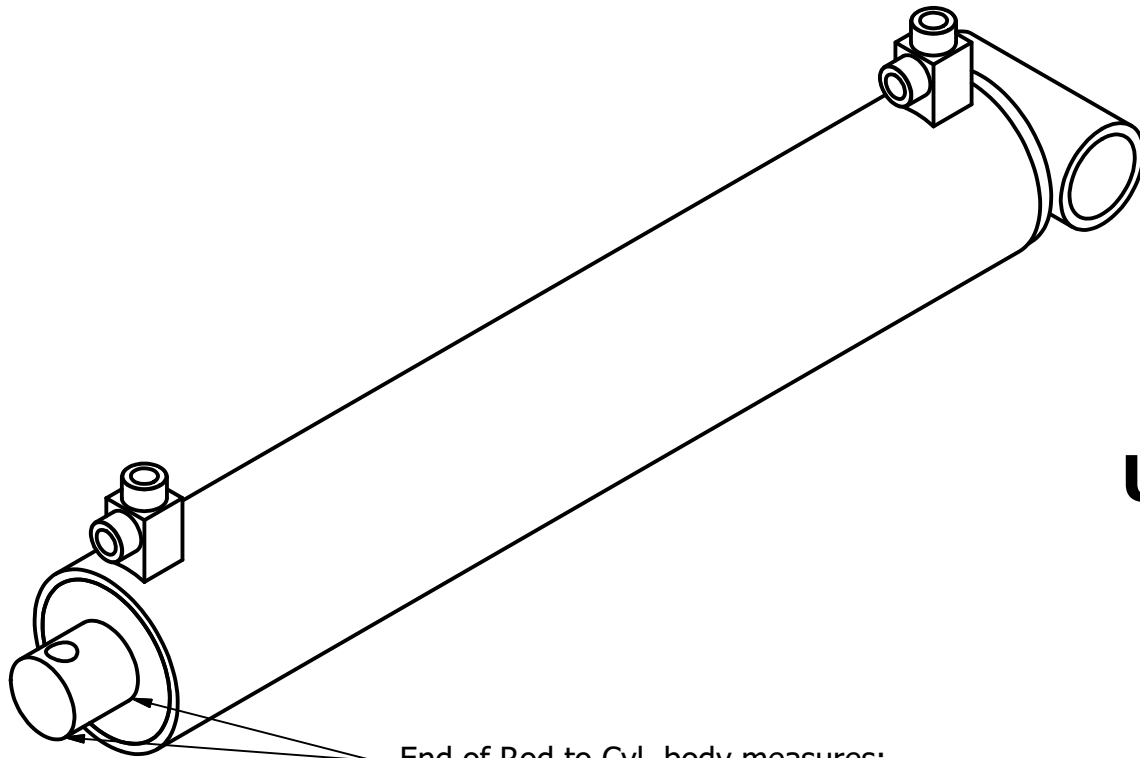


| PARTS LIST | | | |
|------------|-----|-------------|---------------------------------|
| ITEM | QTY | PART NUMBER | DESCRIPTION |
| 1 | 1 | 2413A1 | Main Hoist Assembly |
| 2 | 1 | 2413A4 | Hoist Lower Center Arm |
| 3 | 1 | 2413A5 | Hoist Lower Left Arm |
| 4 | 1 | 2413A6 | Hoist Lower Right Arm |
| 5 | 1 | 2410-410 | Machined Shaft |
| 6 | 2 | 2413A3D | Hoist Cylinder |
| 7 | 1 | 2413A2 | Hoist cylinder head assy |
| 8 | 1 | 2410-418 | Cylinder Pivot Shaft |
| 9 | 1 | 2410-422 | Hoist Pivot Shaft (Stack Frame) |
| 10 | 1 | 2460-333 | Hoist Pivot Shaft (Main Slide) |
| 11 | 4 | 1490-4654 | Wear Bushing |

Hoist Cylinder 2413A3D

Back

Home



End of Rod to Cyl. body measures:
2-1/8" on 2413A3D (28" Stroke)
2-3/8" on 2413A3C (27-1/2" Stroke)
When Fully Colapsed

Identical to 2413A3C but with a 28" stroke which forces the stackframe further past center during stacking.

Factory installed on S/N 540, 557 and later units, you must install pairs whenever you replace these on older units.

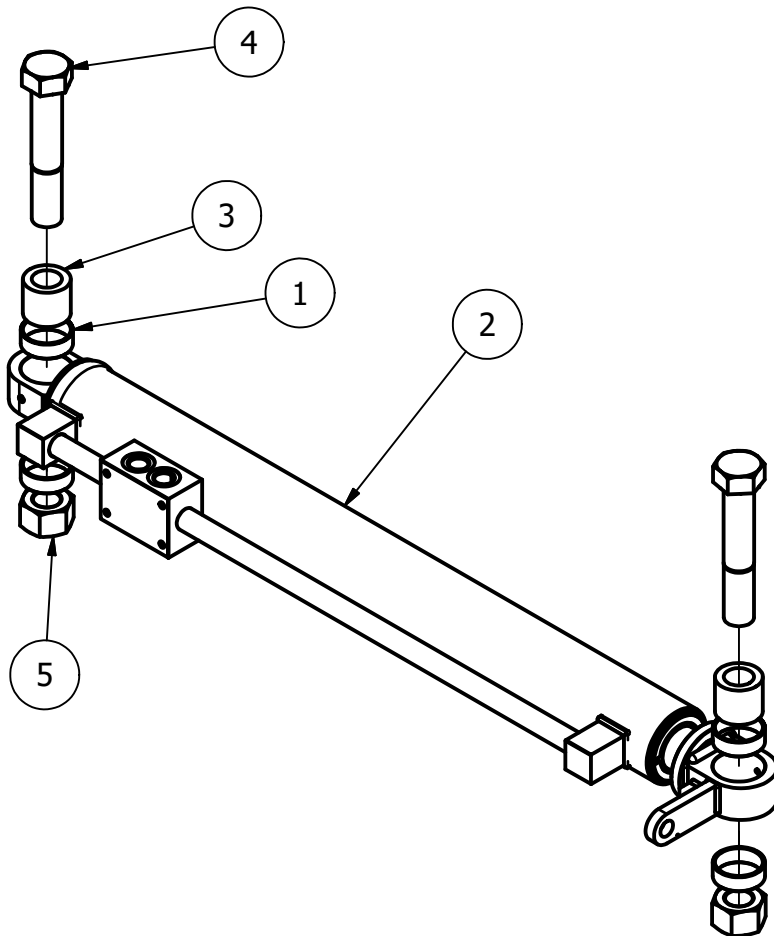
Use Seal Kit # 1490-1686



5530-204

Back

Home



| PARTS LIST | | | |
|------------|-----|-------------|---|
| ITEM | QTY | PART NUMBER | DESCRIPTION |
| 1 | 4 | 1490-5878 | Wear Bushing |
| 2 | 1 | 5530204 | 3 X 30 X 2 Welded Cylinder |
| 3 | 2 | 5530-130 | Cylinder Pivot Bearing |
| 4 | 2 | 14905104 | HCS 1-1/4 - 12 x 7, Zinc Plate Grade 8 |
| 5 | 2 | 14902081 | Top Lock 1-1/4 - 12, Zinc Plate Grade 8 |

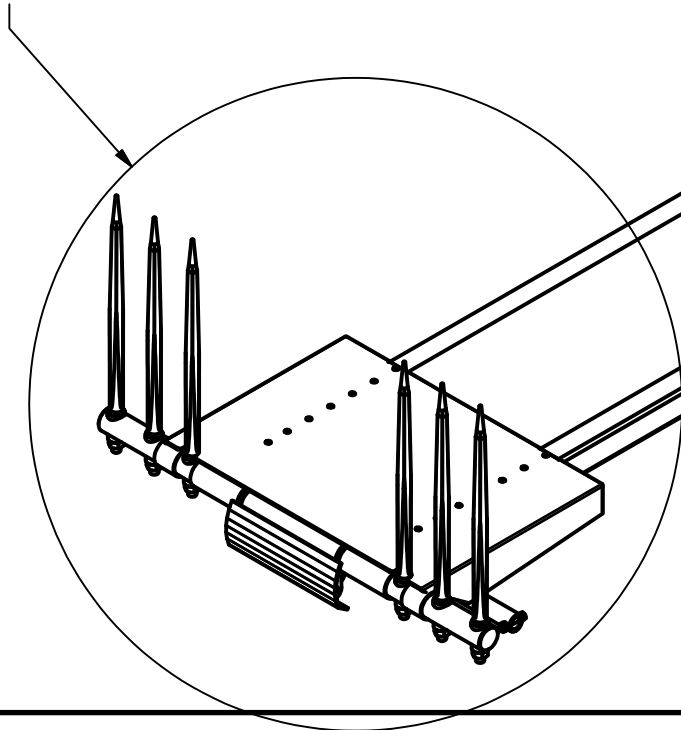
Cylinder Seal Kit 1490-5019

Stackframe Assy

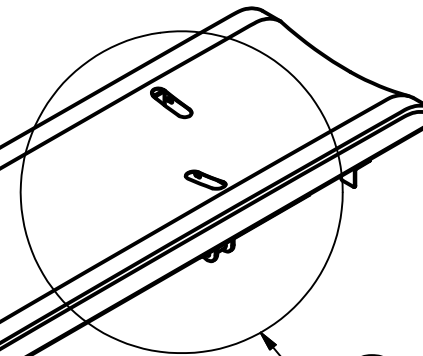
Back

Home

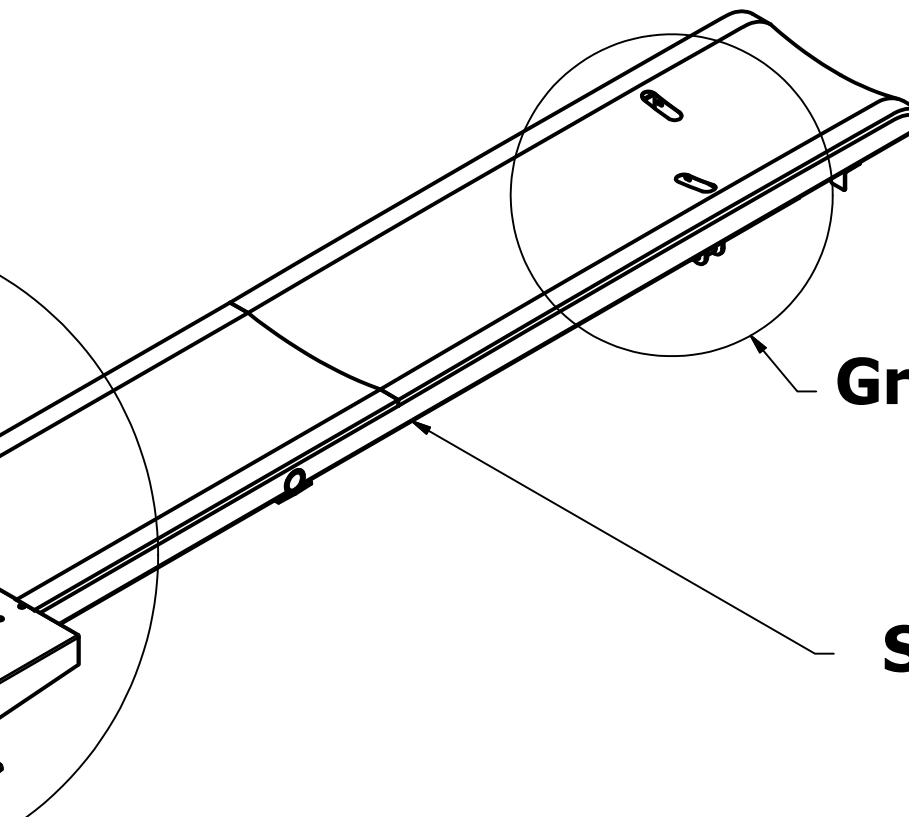
Tailgate Detail



Grapple Detail



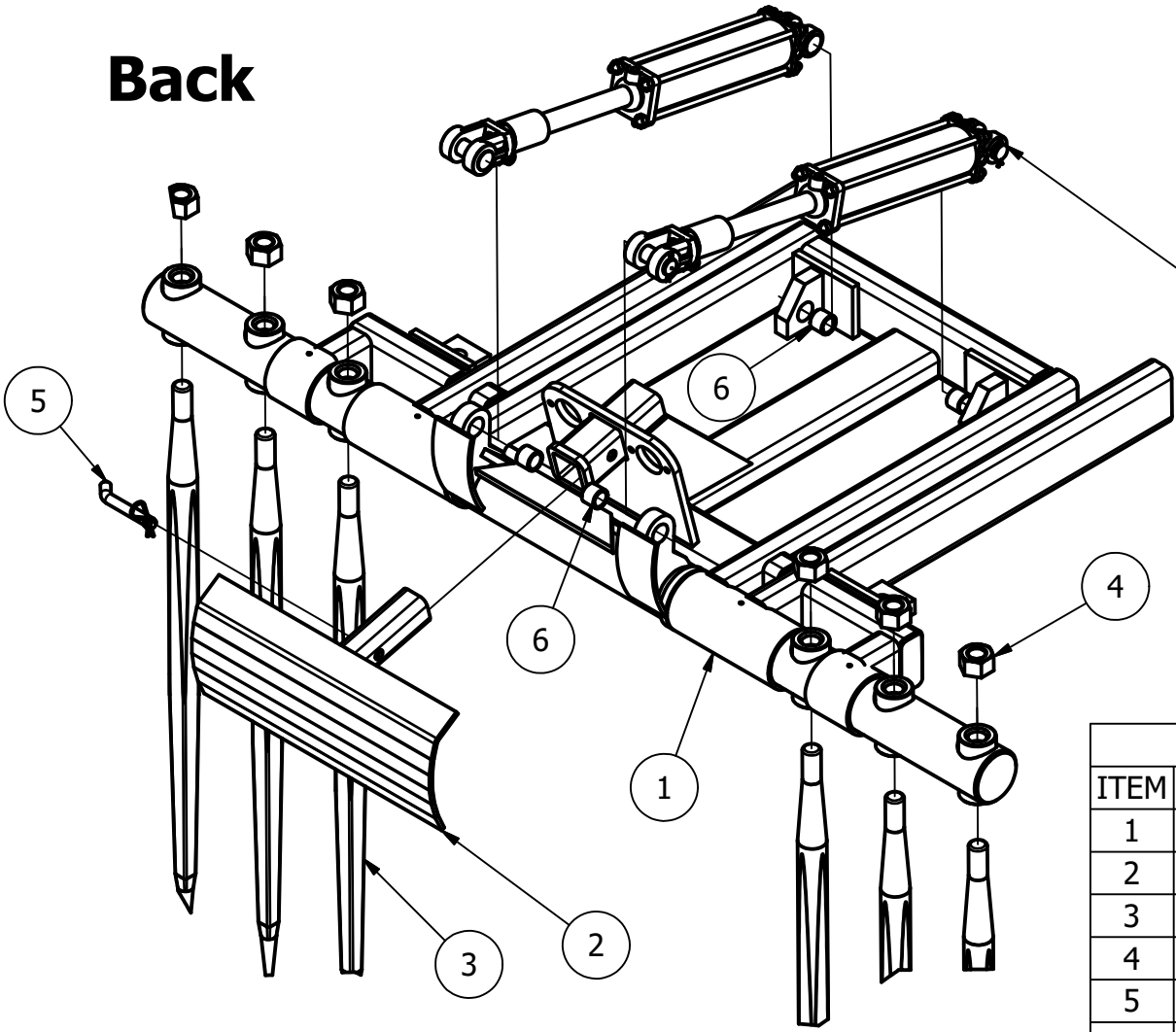
Stackframe



Tailgate Detail

Back

Home



Tailgate Cyl. Detail

PARTS LIST

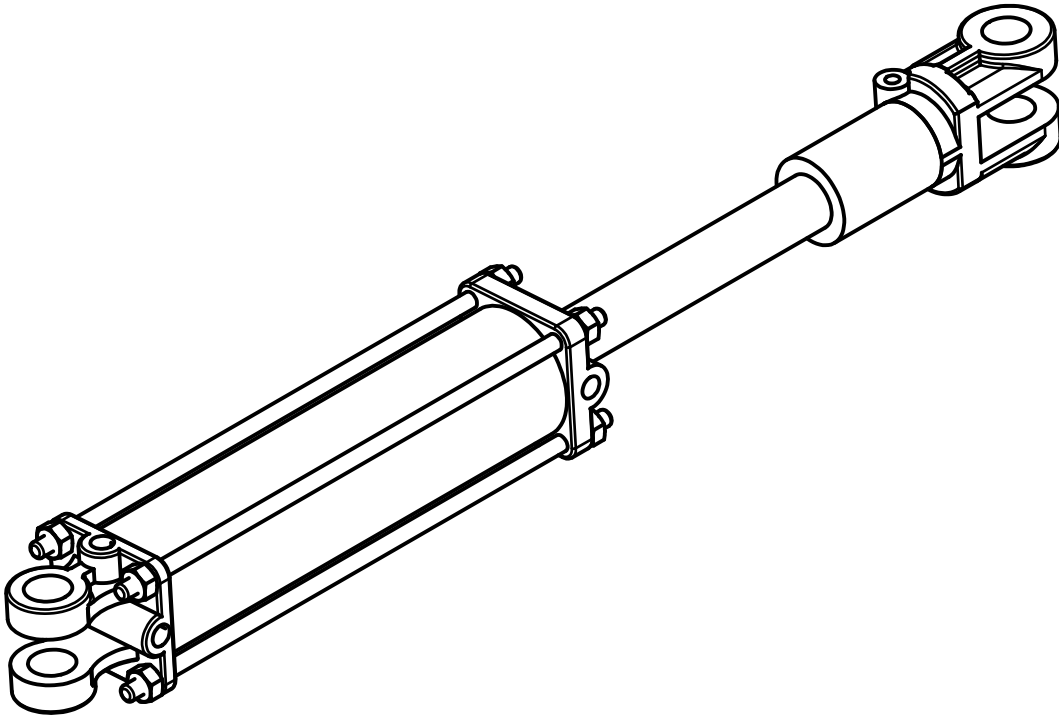
| ITEM | QTY | PART NUMBER | DESCRIPTION |
|------|-----|-------------|----------------------------|
| 1 | 1 | 6511A | Stacking Tailgate |
| 2 | 1 | 6511-A2 | Removable Rear Skidplate |
| 3 | 6 | 6134 | 34" Bale Spear |
| 4 | 6 | 1490-4394 | Large Course Nut M30 X 2 |
| 5 | 1 | 1490-6213 | Hitch Pin 5/8 X 3 W/Keeper |
| 6 | 4 | 14902030 | Wear Bushing |

Tailgate Cylinder

(With Adjustable Stop Collar)
(New 3" Cylinder can replace old 2-1/2")

[Back](#)

[Home](#)



Cylinder Part Number

1490-2516

(Old 2-1/2" 1490-1892)

Seal Kit Part Number

1490-1874

(Old 2-1/2" 1490-1873)

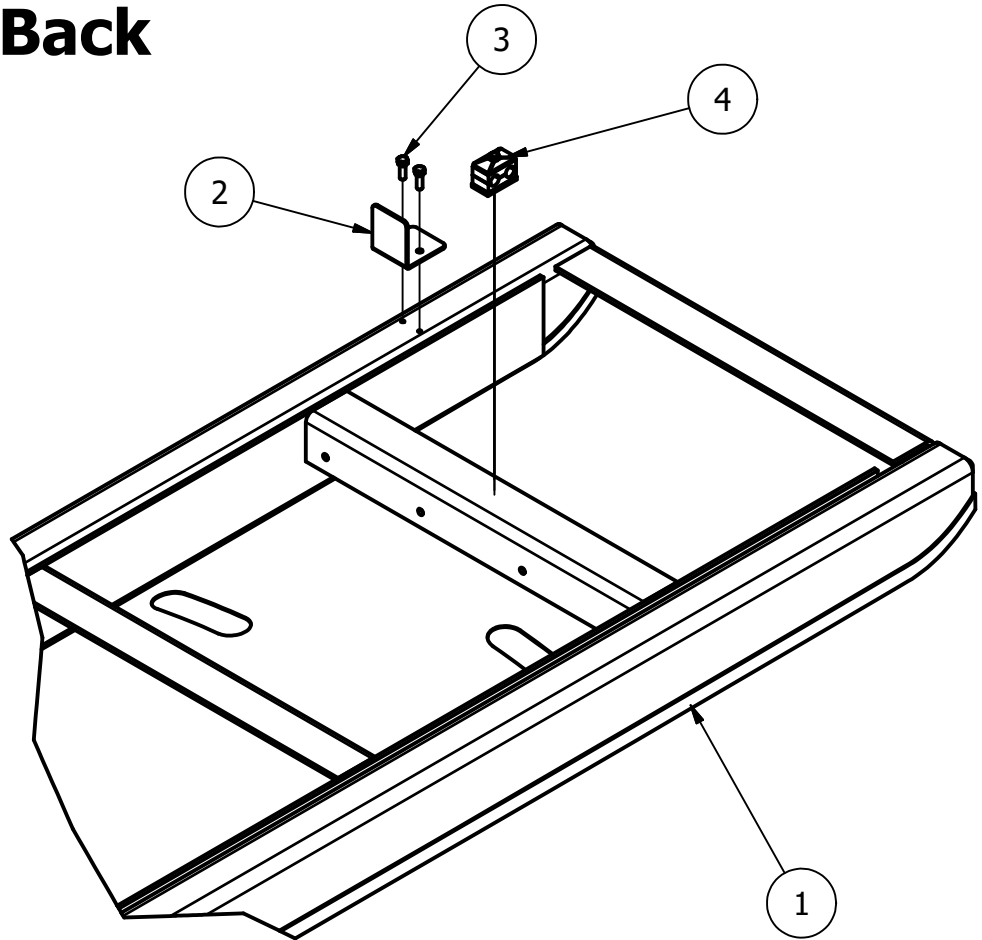
Cyl Pin Part Number

1490-4566

Stackframe Detail B

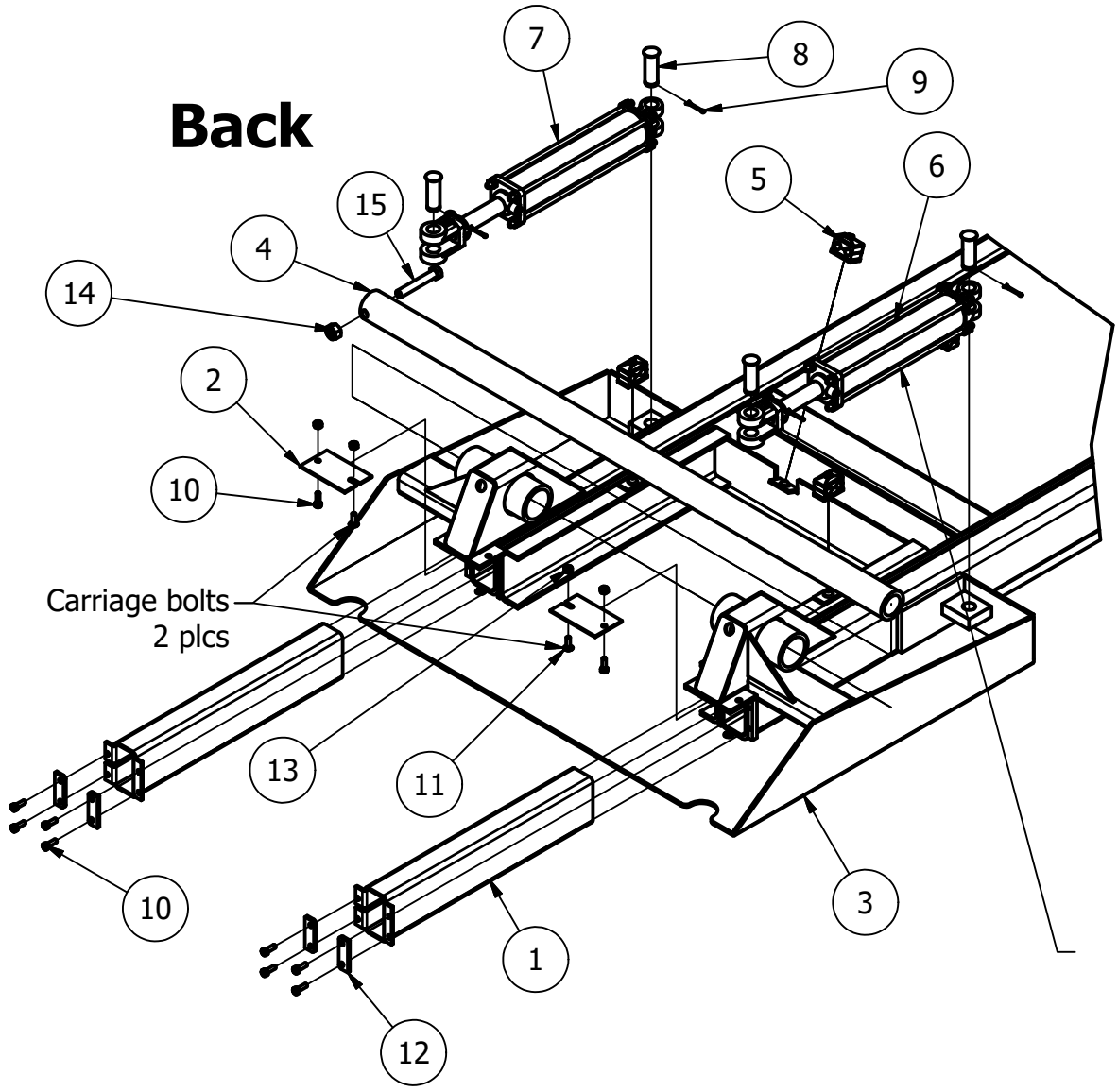
Back

Home



| PARTS LIST | | | |
|------------|-----|--------------|---------------------------------|
| ITEM | QTY | PART NUMBER | DESCRIPTION |
| 1 | 1 | 6512AG | Stackframe Weldment |
| 2 | 1 | 2410-430 | Stack Frame Microswitch Trigger |
| 3 | 2 | 5/16-18 X 1 | Hex Bolt |
| 4 | 8 | KIT-DBL-.375 | 3/8" Double Hose Clamp |

Stackframe Detail A



Home

PARTS LIST

| ITEM | QTY | PART NUMBER | DESCRIPTION |
|------|-----|------------------------|------------------------|
| 1 | 2 | 2410-373 | Poly Insert |
| 2 | 2 | 2410-368 | Tailgate Wear Plate |
| 3 | 1 | 6512AG | Stackframe Weldment |
| 4 | 1 | 2460-317 | Rear Pivot Shaft |
| 5 | 8 | KIT-DBL-.375 | 3/8" Double Hose Clamp |
| 6 | 1 | 1490-3063 | LH Stackdown Cylinder |
| 7 | 1 | 1490-3064 | RH Stackdown Cylinder |
| 8 | 4 | 2.75 Cyl Pin | |
| 9 | 4 | Cotter Pin | 1/8 X 1-3/8 Cotter Pin |
| 10 | 12 | 5/16-18 X 1 | Hex Bolt |
| 11 | 2 | 5/16 X 1 Carriage Bolt | 5/16 X 1 Carriage Bolt |
| 12 | 4 | 2460-320 | Squeeze Poly Strap |
| 13 | 4 | 5/16 - 18 | Hex Nut |
| 14 | 1 | 5/8 Nut | 5/8 Hex Nut |
| 15 | 1 | 5/8 X 4 Bolt | 5/8 X 4 Bolt |

Stackdown Cylinder Details

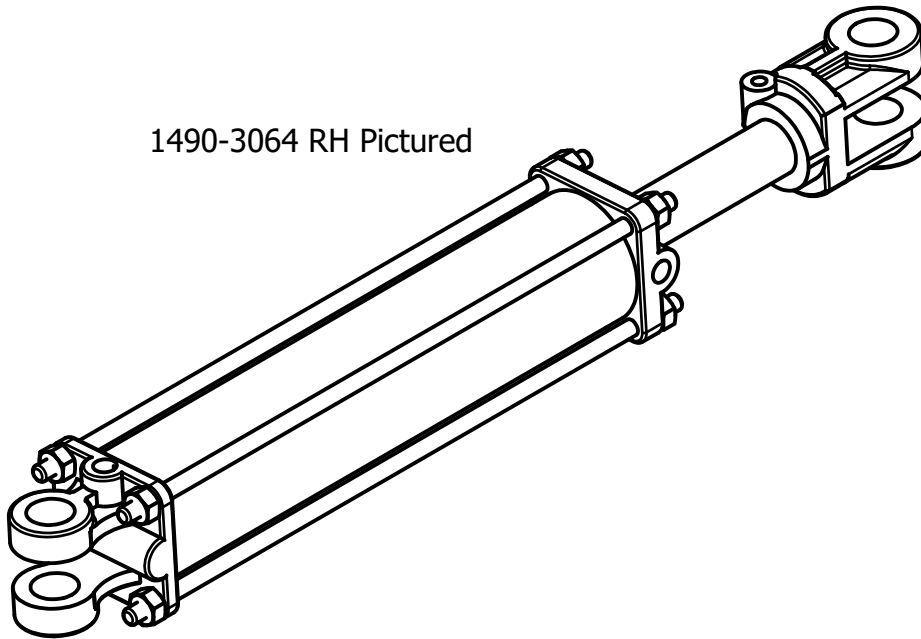
Stackdown Cylinders

(1490-3063 & 1490-3064)

Back

Home

1490-3064 RH Pictured



1490-3063 LH Rod end
ports from opposite sides

Use seal Kit #1490-1873



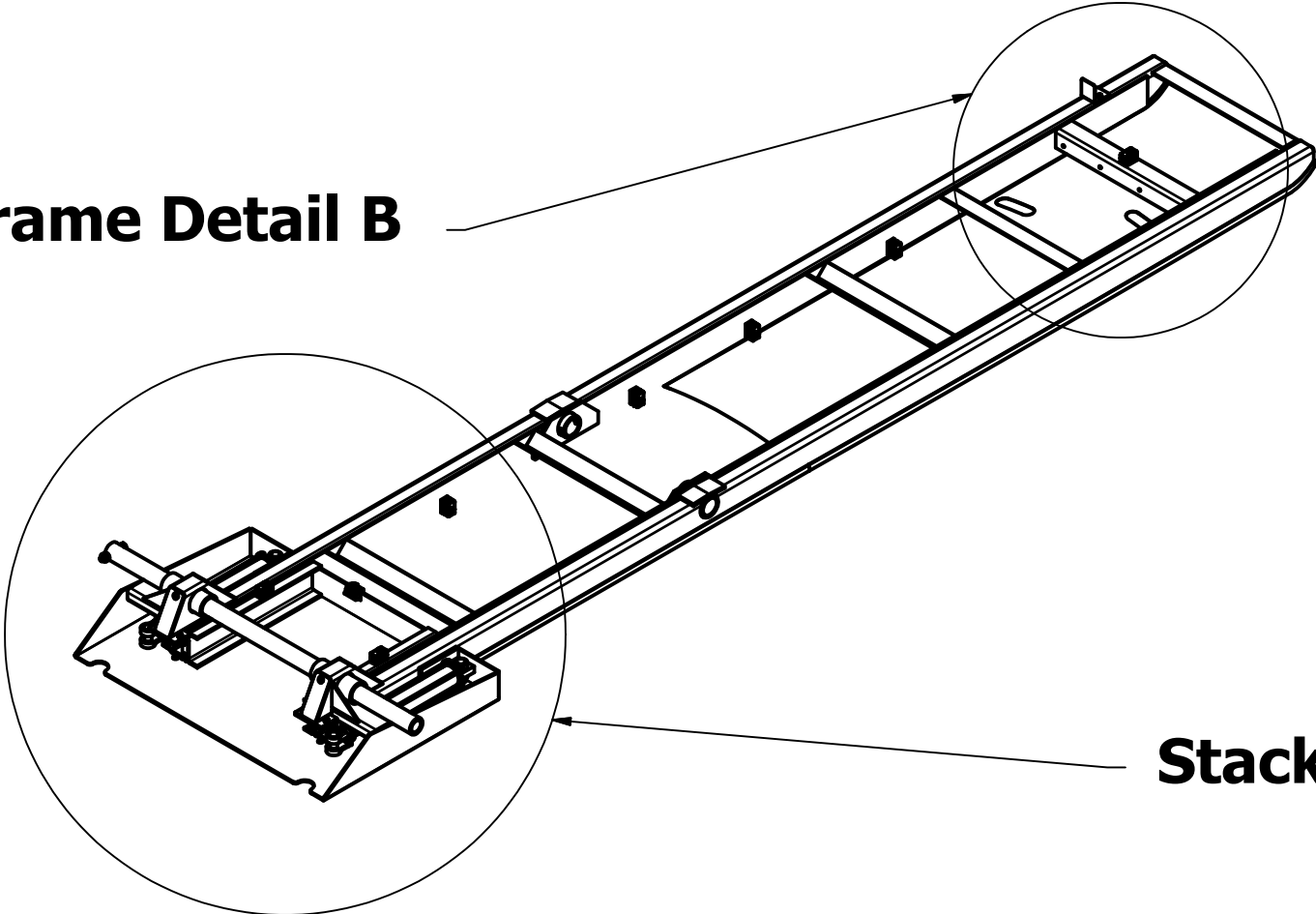
Stackframe

Back

Home

Stackframe Detail B

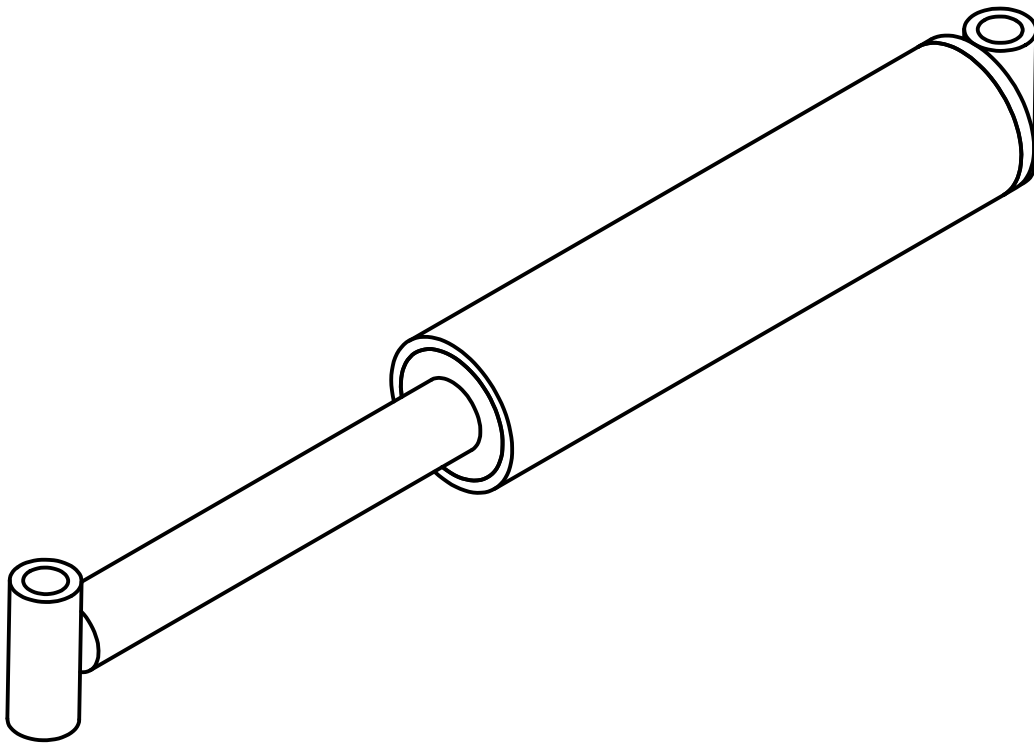
Stackframe Detail A



Grapple Cylinder Detail

Back

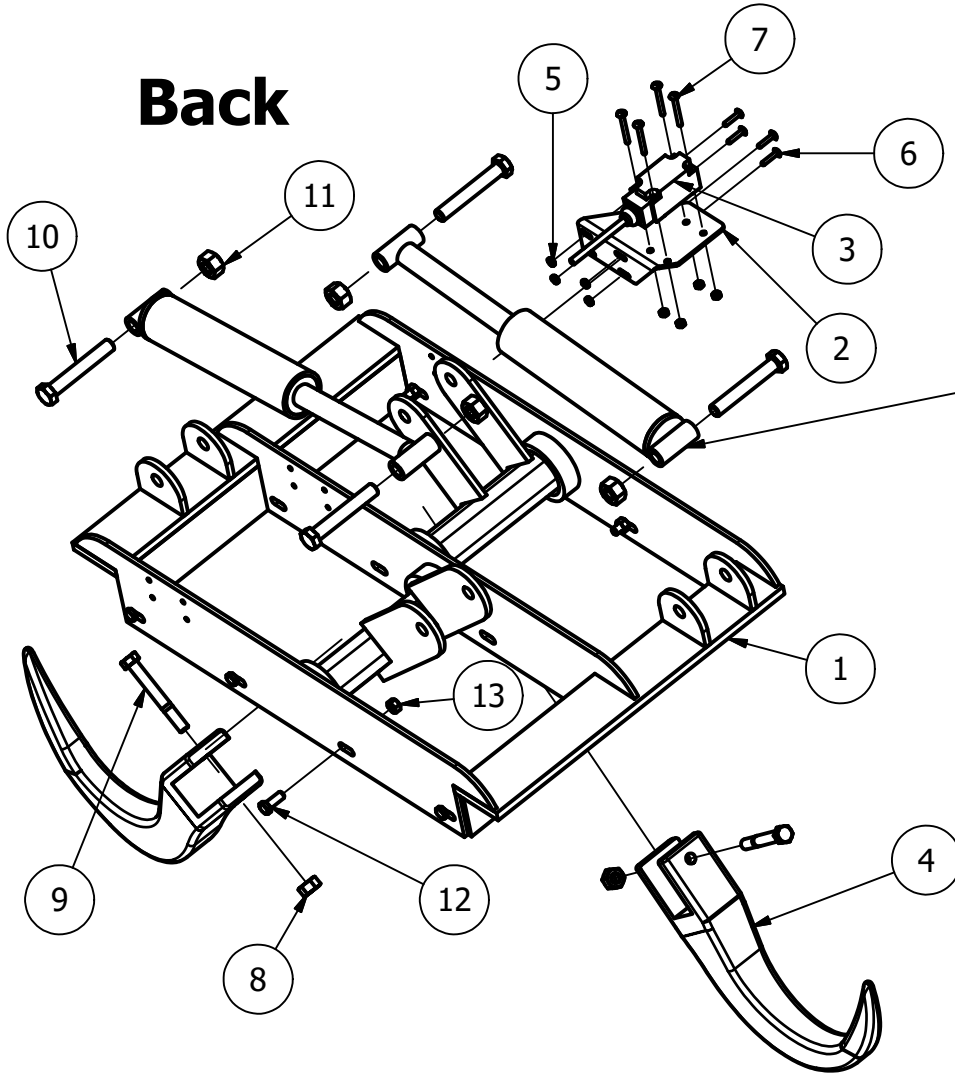
Home



**Grapple Cyl. Part Number
2414A2**

**Seal Kit Number
1490-6391**

Grapple Detail



Home

Grapple Cyl Detail

| PARTS LIST | | | |
|------------|-----|--------------|---------------------------|
| ITEM | QTY | PART NUMBER | DESCRIPTION |
| 1 | 1 | 2414A | Bolt On Grapple Assembly |
| 2 | 1 | 2410-509 | Limit Switch Bracket |
| 3 | 1 | 1490-5764 | Limit Switch w/Spring Arm |
| 4 | 2 | 14902210 | Grapple Tooth |
| 5 | 8 | 10-24 | Machine Nut |
| 6 | 4 | 10-24 X 1 | Machine Screw |
| 7 | 4 | 10-24 X 2 | Machine Screw |
| 8 | 2 | 1/2-13 Nut | Hex Nut |
| 9 | 2 | 1/2-13 X 4 | Hex Bolt |
| 10 | 4 | 5/8 X 4 Bolt | 5/8 X 4 Bolt |
| 11 | 4 | 5/8 Nut | 5/8 Hex Nut |
| 12 | 8 | 3/8 X 1 | Bolt |
| 13 | 8 | 3/8 | Hex Nut |

Complete Kit to add a Grapple 2009 and Newer - KIT:14806514

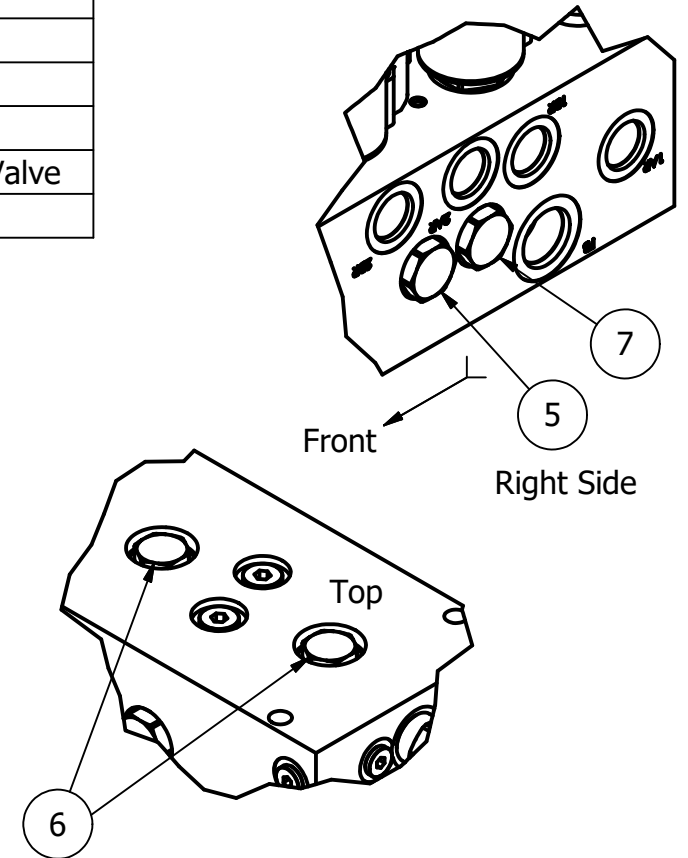
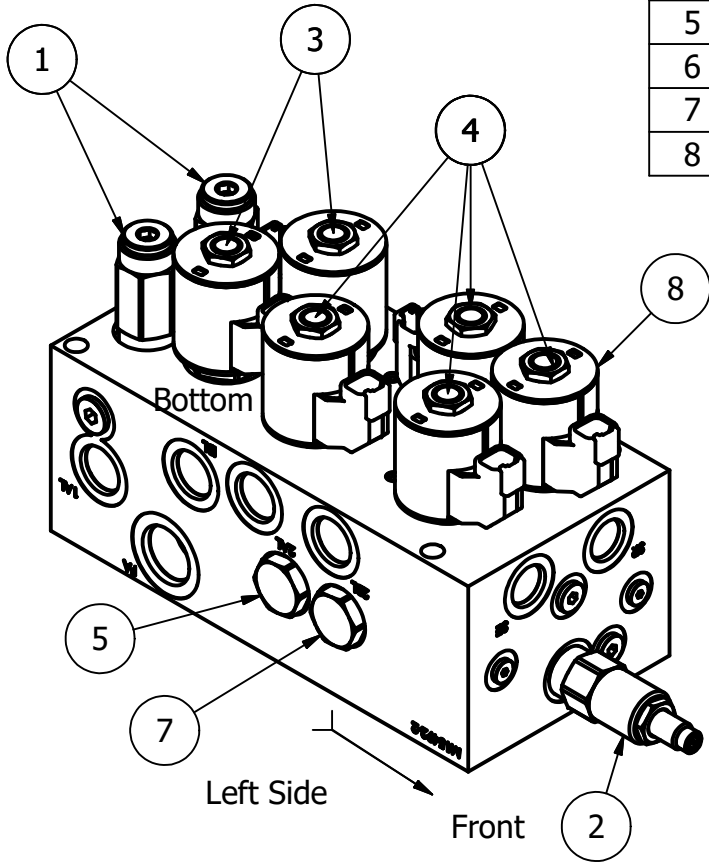
Frontend Control Valve

(1490-5871)

| PARTS LIST | | | |
|------------|-----|-------------|-----------------------------|
| ITEM | QTY | PART NUMBER | DESCRIPTION |
| 1 | 2 | 1490-5926 | Relief Valve Front Down |
| 2 | 1 | 1490-5924 | Relief Valve Front/Rear |
| 3 | 2 | 1490-5919 | Size 12 2-Way |
| 4 | 4 | 1490-5918 | Size 10 2-Way |
| 5 | 2 | 1490-5922 | Size 10 Check Valve |
| 6 | 2 | 1490-5923 | Size 08 Check Valve |
| 7 | 2 | 1490-5921 | Pilot Check Cartridge Valve |
| 8 | 6 | 1490-5920 | SV Coil |

Back

Home

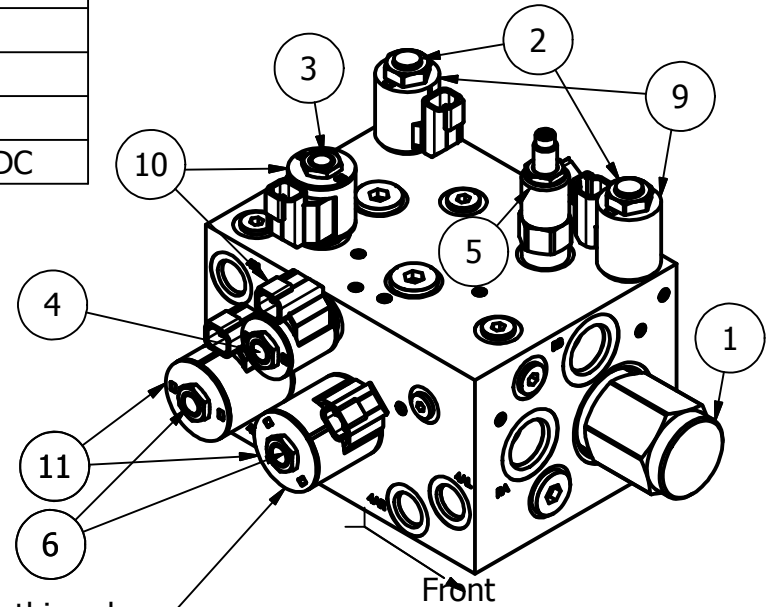
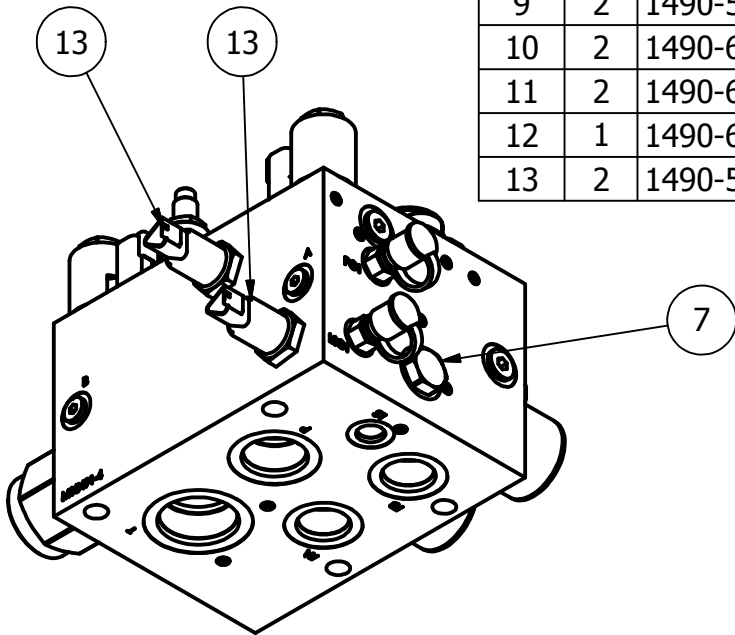
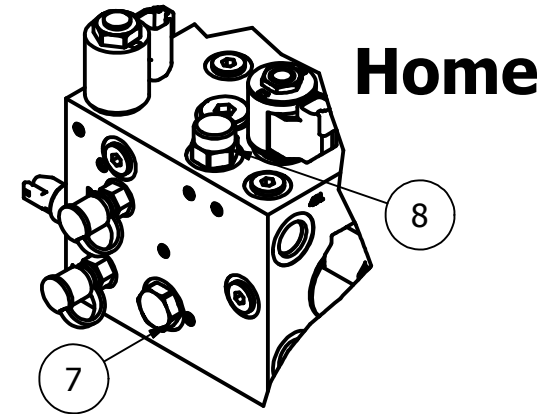


Main Control Valve

(Complete Assy 1490-5870)

Back

| PARTS LIST | | | |
|------------|-----|-------------|-----------------------------|
| ITEM | QTY | PART NUMBER | DESCRIPTION |
| 1 | 1 | 1490-6302 | Main 4-way control valve |
| 2 | 2 | 1490-5916 | EHPR Proportional Relief |
| 3 | 1 | 1490-6305 | #8 Prop. Valve |
| 4 | 1 | 1490-6306 | #8 Cartridge Valve |
| 5 | 1 | 1490-5925 | Relief Valve Main |
| 6 | 2 | 1490-5918 | Size 10 2-Way |
| 7 | 1 | 1490-6569 | Shuttle Valve |
| 8 | 1 | 1490-6199 | Flow Regulator 1.25 gal/min |
| 9 | 2 | 1490-5917 | EHPR #8 Coil |
| 10 | 2 | 1490-6248 | 12VDC #8 ER Coil |
| 11 | 2 | 1490-6588 | SV Coil |
| 12 | 1 | 1490-6225 | #10 Orifice Disk .125 |
| 13 | 2 | 1490-5998 | Transducer 0-6000 5VDC |

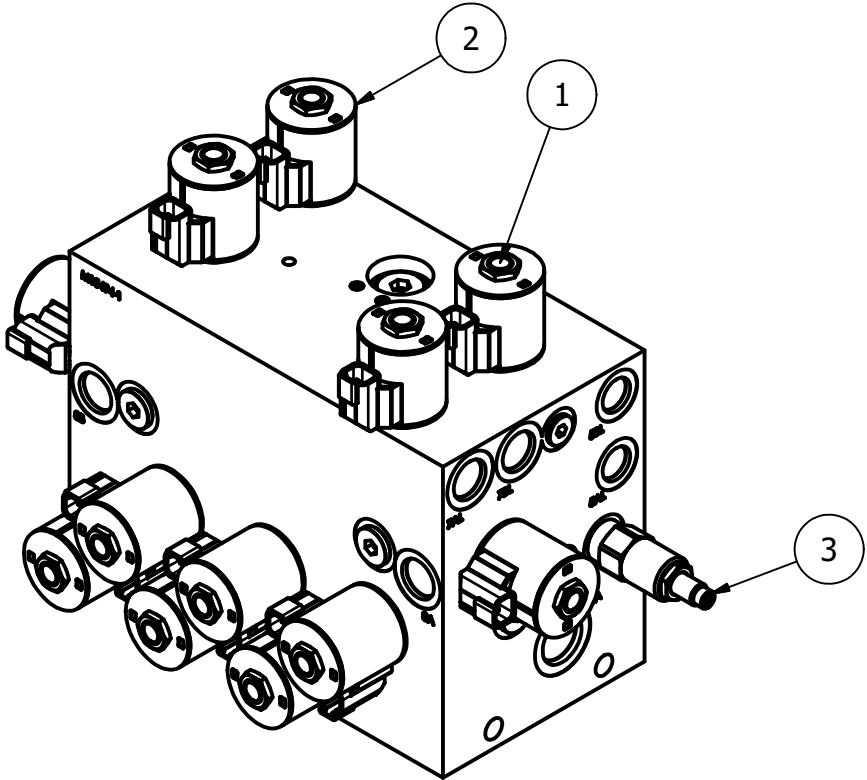


1490-6225 orifice under this valve

Rear Control Valve

(1490-5873)

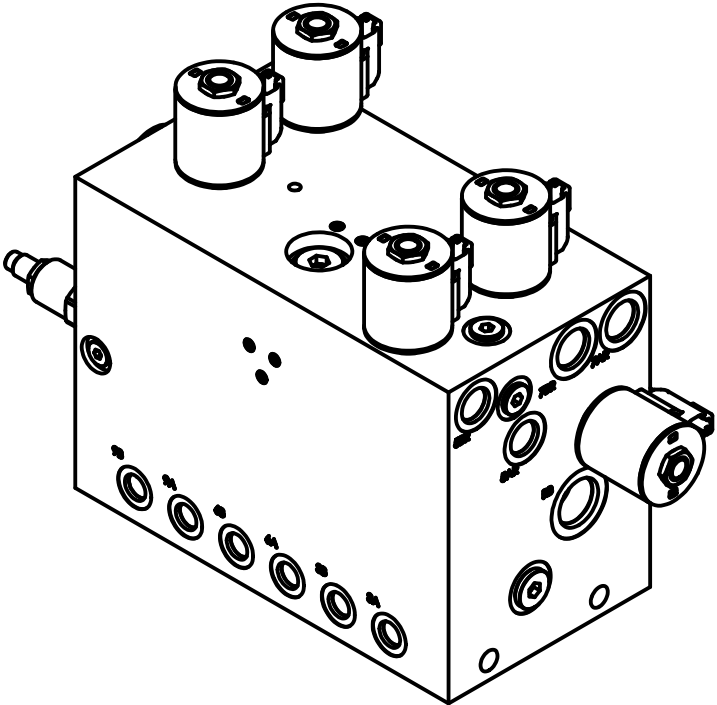
Back



PARTS LIST

| ITEM | QTY | PART NUMBER | DESCRIPTION |
|------|-----|-------------|-------------------------|
| 1 | 12 | 1490-5918 | Size 10 2-Way |
| 2 | 12 | 1490-5920 | SV Coil |
| 3 | 1 | 1490-5924 | Relief Valve Front/Rear |

Home



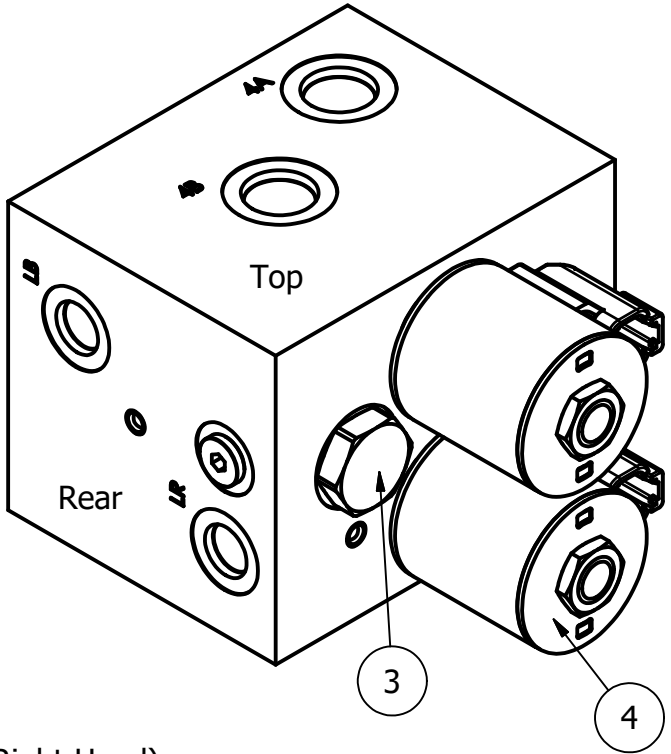
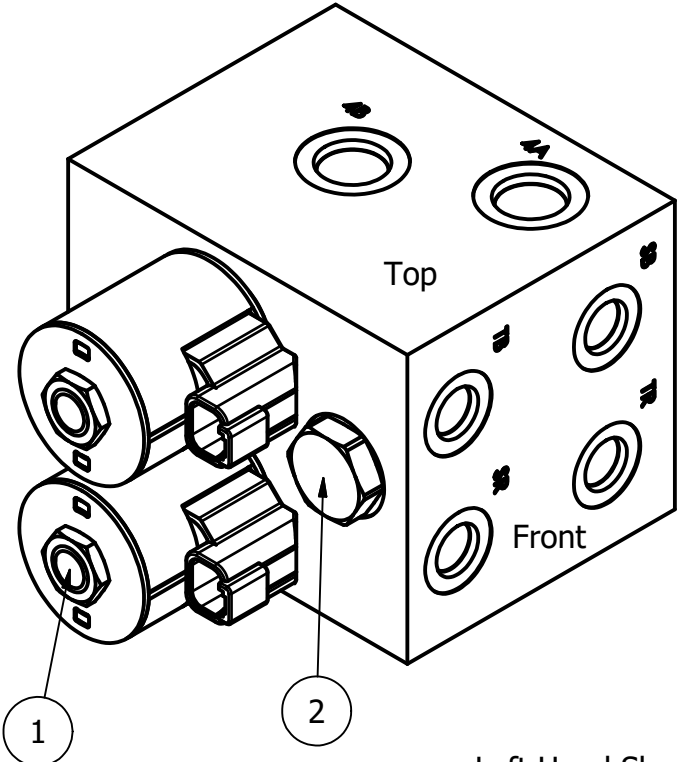
1/4 Turn Control Valve

(1490-5872 Complete Assy)

Back

Home

| PARTS LIST | | | |
|------------|-----|-------------|-----------------------------|
| ITEM | QTY | PART NUMBER | DESCRIPTION |
| 1 | 2 | 1490-5918 | Size 10 2-Way |
| 2 | 1 | 1490-5922 | Size 10 Check Valve |
| 3 | 1 | 1490-5921 | Pilot Check Cartridge Valve |
| 4 | 2 | 1490-6588 | SV Coil |



Left Hand Shown (Ports 4A & 4B plumb on opposite side for Right Hand)

1/4 Turn Detail

Back

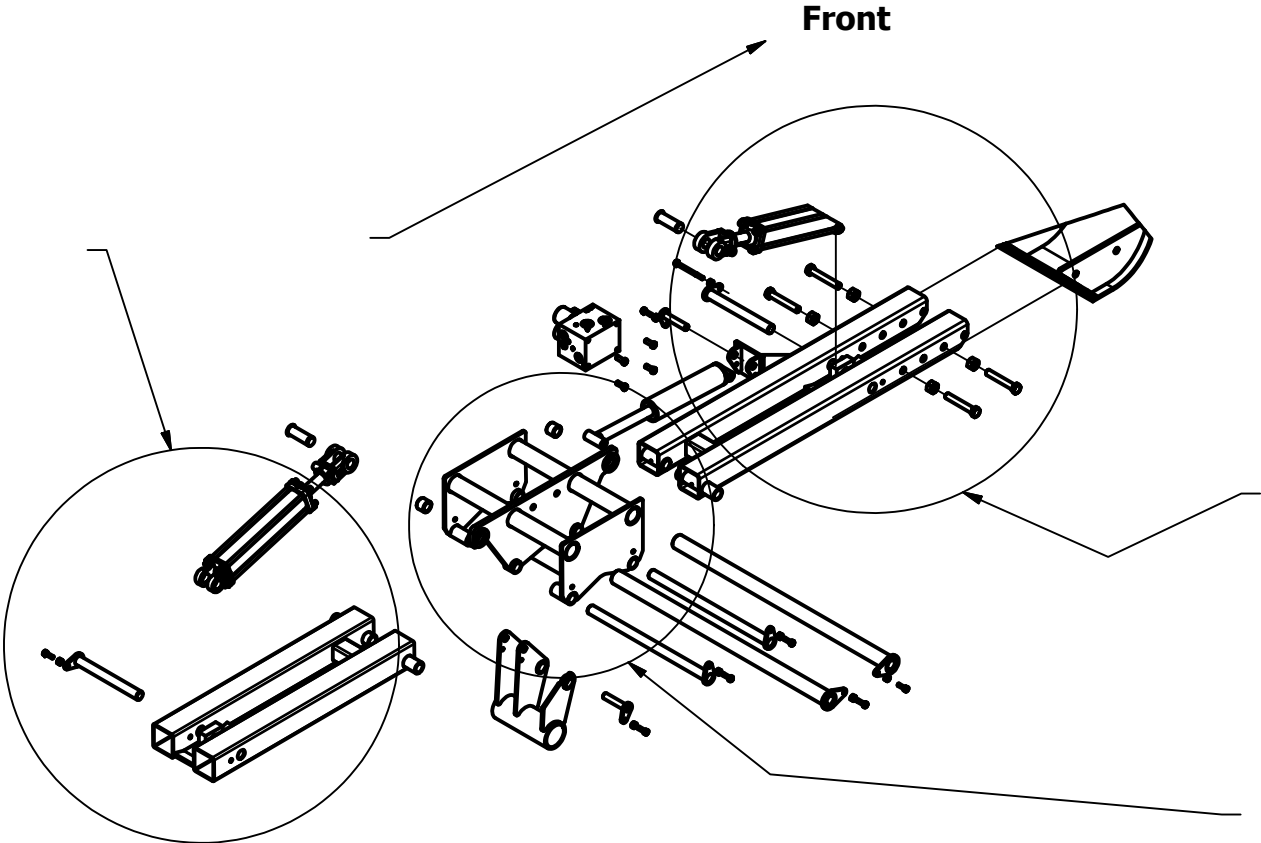
Home

1/4 Turn
Detail A

1/4 Turn
Cylinders

1/4 Turn
Detail C

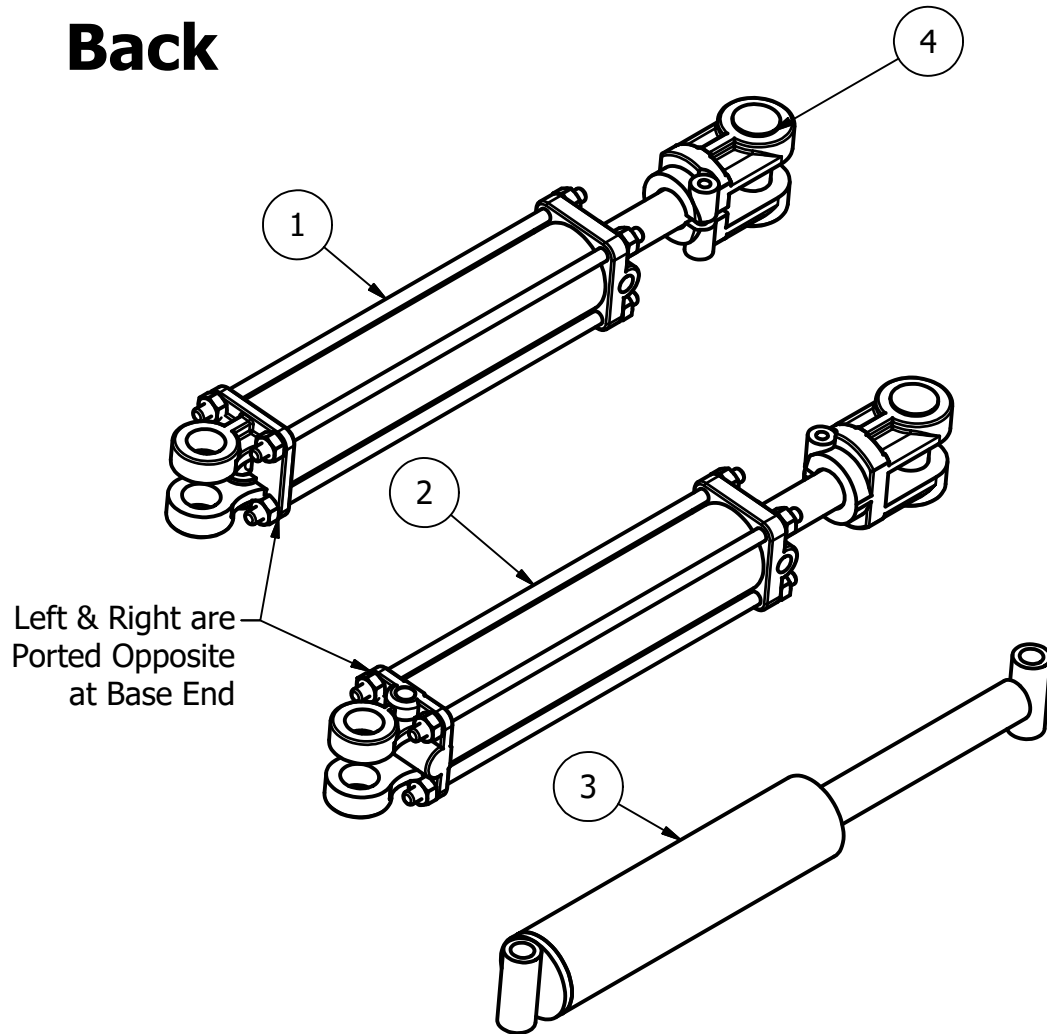
1/4 Turn
Detail B



1/4 Turn Cylinders

Back

Home



| PARTS LIST | | | |
|------------|-----|-------------|---------------------------|
| ITEM | QTY | PART NUMBER | DESCRIPTION |
| 1 | 2 | 1490-5146 | RF & LR 1/4 Turn Cyl |
| 2 | 2 | 1490-5145 | LF & RR 1/4 Turn Cyl. |
| 3 | 2 | 2414A2 | Grapple Cylinder Assembly |
| 4 | 4 | 1490-4566 | 1 X 2-3/4 Cylinder Pin |
| 5 | 4 | Cotter Pin | 1/8 X 1-3/8 Cotter Pin |

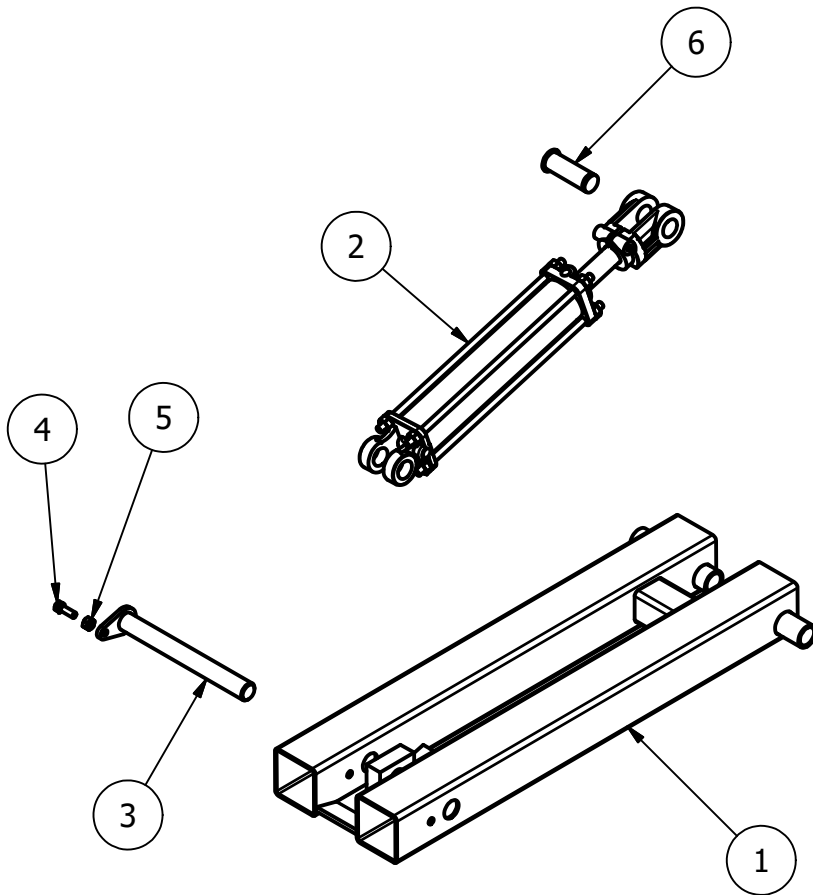
**1490-5145 & 1490-5146 Use
Seal Kit # 1490-4627**

**The 2414A2 Cylinder Uses
Seal Kit #1490-6391**

1/4 Turn Detail A

Back

Home

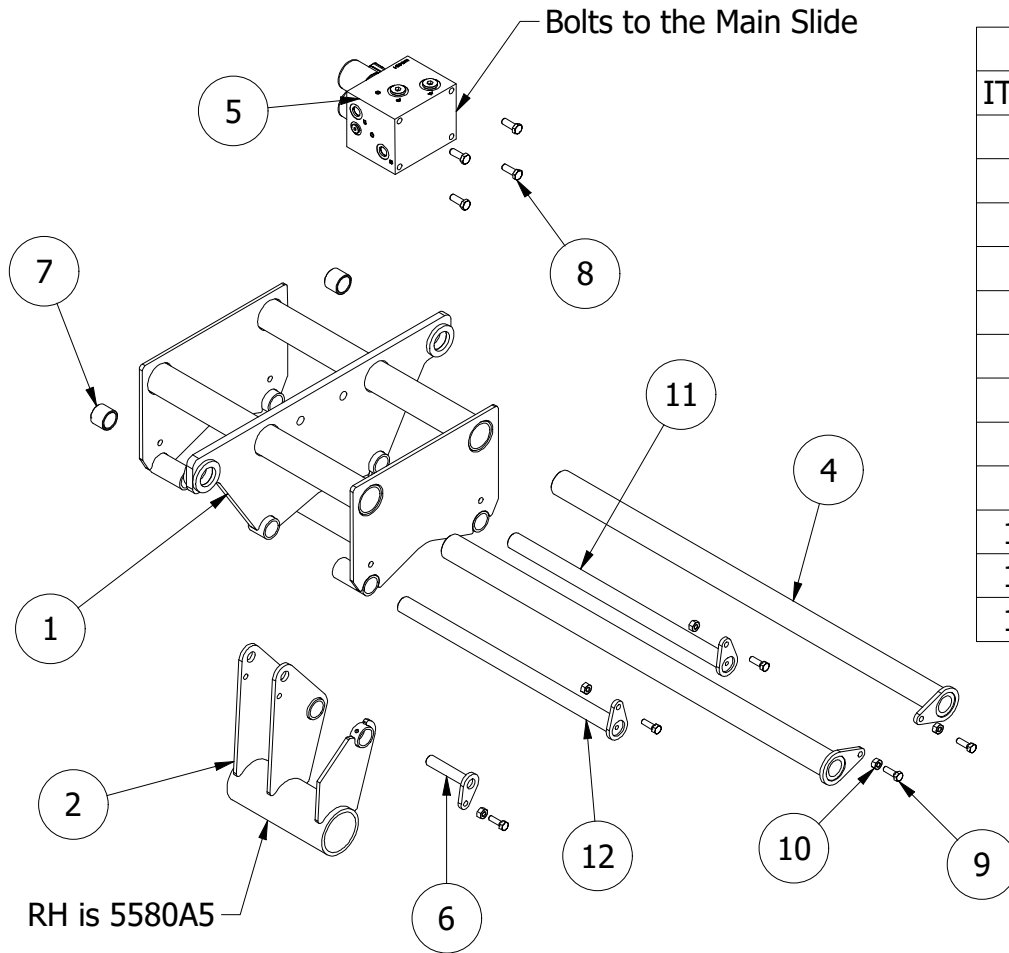


| PARTS LIST | | | |
|------------|-----|-------------|----------------------------------|
| ITEM | QTY | PART NUMBER | DESCRIPTION |
| 1 | 2 | 5580A4 | 500 Series Let Down Arm Assembly |
| 2 | 2 | 1490-5146 | RF & LR 1/4 Turn Cyl |
| 3 | 4 | 5580A7 | Cylinder Pin Assy |
| 4 | 14 | 5/16-18 X 1 | Hex Bolt |
| 5 | 16 | 5/16 - 18 | Hex Nut |
| 6 | 4 | 1490-4566 | 1 X 2-3/4 Cylinder Pin |

1/4 Turn Detail B

Back

Home



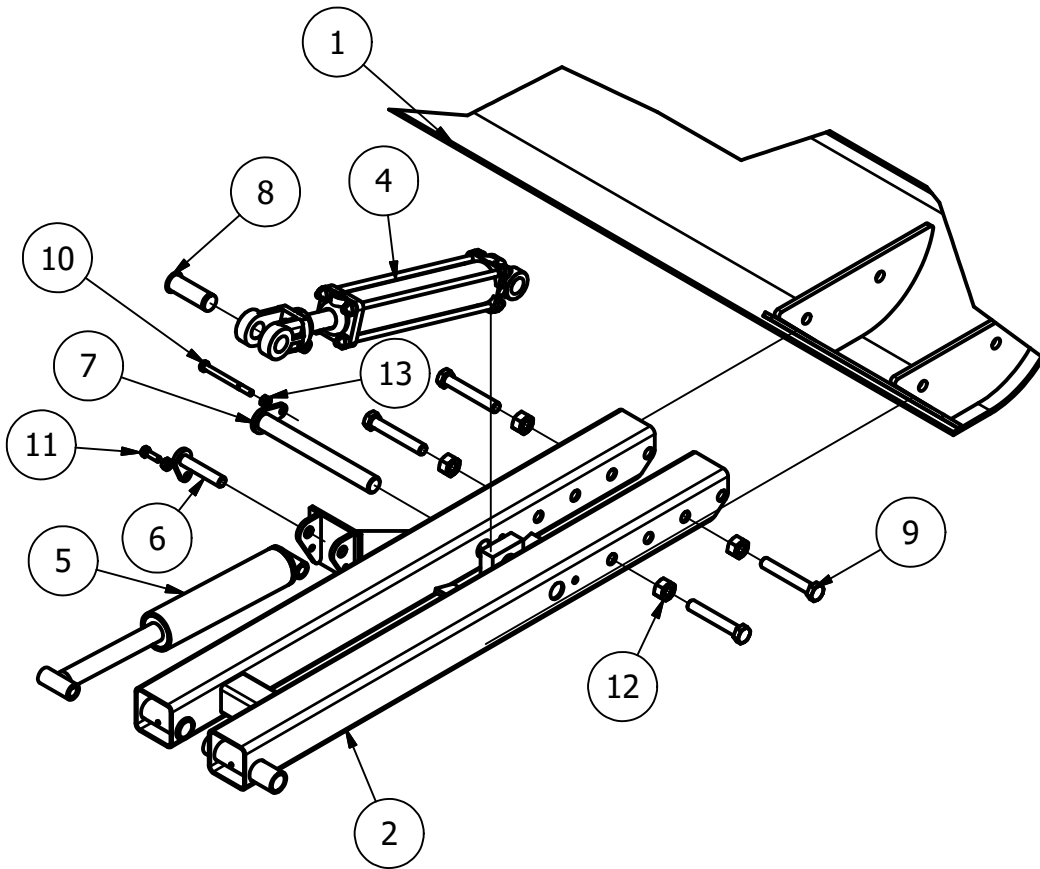
| PARTS LIST | | | |
|------------|-----|-------------|---|
| ITEM | QTY | PART NUMBER | DESCRIPTION |
| 1 | 2 | 5580A1 | 1/4 Turn Letdown Main Pivot Assembly |
| 2 | 1 | 5580A9 | LH 1/4 Turn Stop |
| 3 | 1 | 5580A5 | RH 1/4 Turn Stop (Not Shown) |
| 4 | 4 | 5580A8 | 1/4 Turn & Letdown Mounting Shaft Assembly |
| 5 | 2 | 1490-5872 | 1/4 Turn Control Valve |
| 6 | 4 | 5580A11 | 1/4 Turn Bale Stop Cylinder Mounting Pin Assy |
| 7 | 4 | 14902030 | Wear Bushing |
| 8 | 8 | 3/8 X 1 | Bolt |
| 9 | 14 | 5/16-18 X 1 | Hex Bolt |
| 10 | 16 | 5/16 - 18 | Hex Nut |
| 11 | 2 | 5580A15 | 1/4 Turn Auto-Lube Pin (Raise) (Front) |
| 12 | 2 | 5580A16 | 1/4 Turn Auto-Lube Pin (Letdown) (Back) |

Control Valve Detail

1/4 Turn Detail C

Back

Home



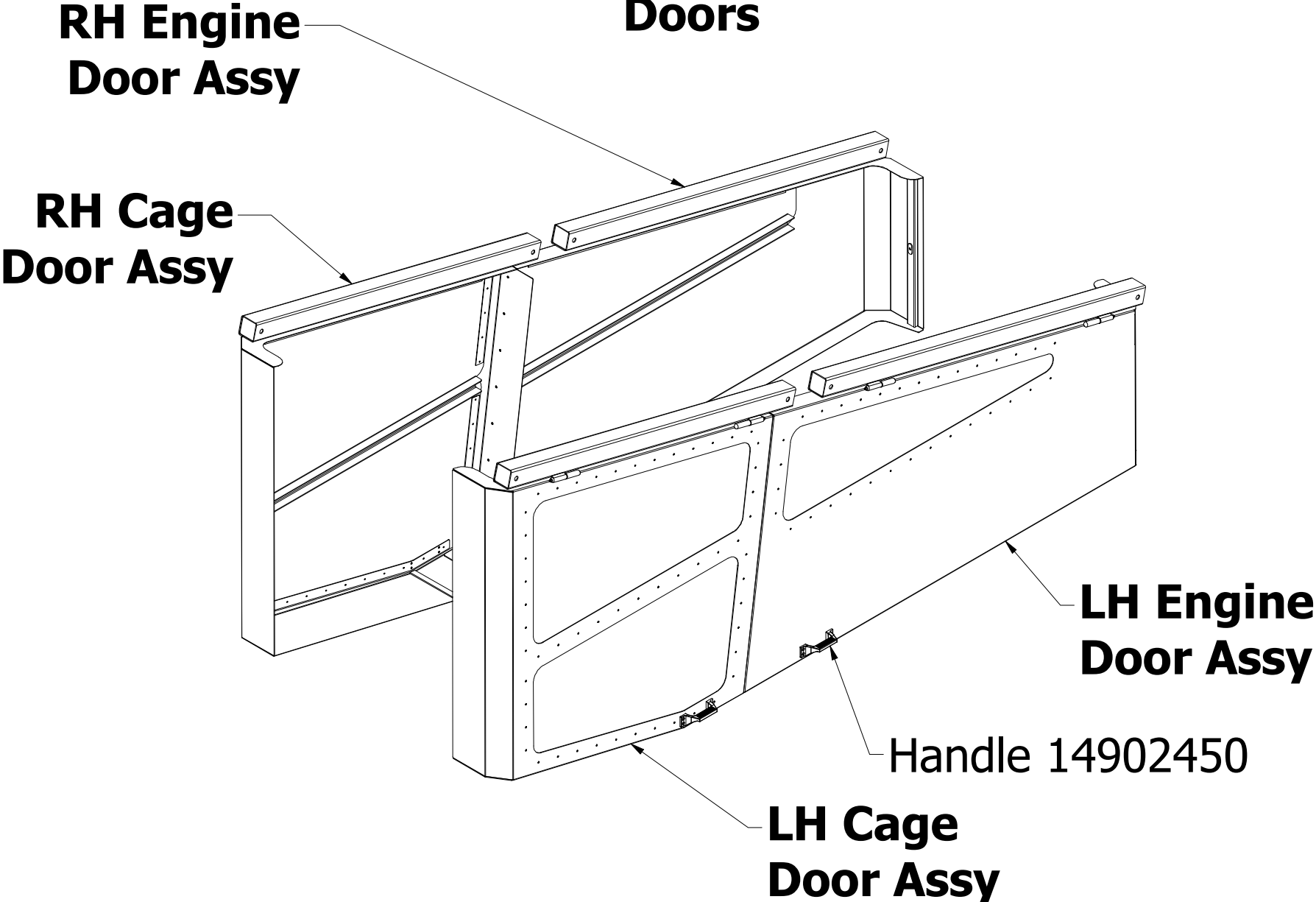
| PARTS LIST | | | |
|------------|-----|--------------|----------------------------------|
| ITEM | QTY | PART NUMBER | DESCRIPTION |
| 1 | 1 | 5580A10 | 1/4 Turn Nose Cap Assembly |
| 2 | 1 | 5580A3 | LH 1/4 Turn Arm Assy |
| 3 | 1 | 5580A2 | RH 1/4 Turn Arm Assy (Not Shown) |
| 4 | 2 | 1490-5145 | LF & RR 1/4 Turn Cyl. |
| 5 | 2 | 2414A2 | Grapple Cylinder Assembly |
| 6 | 4 | 5580A11 | Bale Stop Cyl Mount Pin Assy |
| 7 | 4 | 5580A7 | Cylinder Pin Assy |
| 8 | 4 | 1490-4566 | 1 X 2-3/4 Cylinder Pin |
| 9 | 8 | 5/8 X 4 Bolt | 5/8 X 4 Bolt |
| 10 | 2 | 5/16 X 3-3/4 | 5/16 X 3-3/4 Hex Bolt |
| 11 | 14 | 5/16-18 X 1 | Hex Bolt |
| 12 | 8 | 5/8 Nut | 5/8 Hex Nut |
| 13 | 16 | 5/16 - 18 | Hex Nut |

Stinger 6500 Stacker

[Back](#)

[Home](#)

Cage and Engine Doors

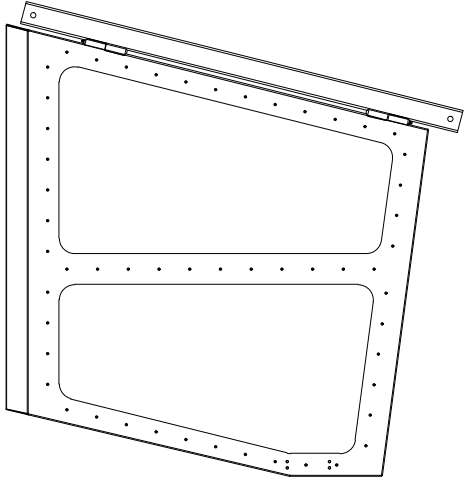


Stinger 6500 Stacker

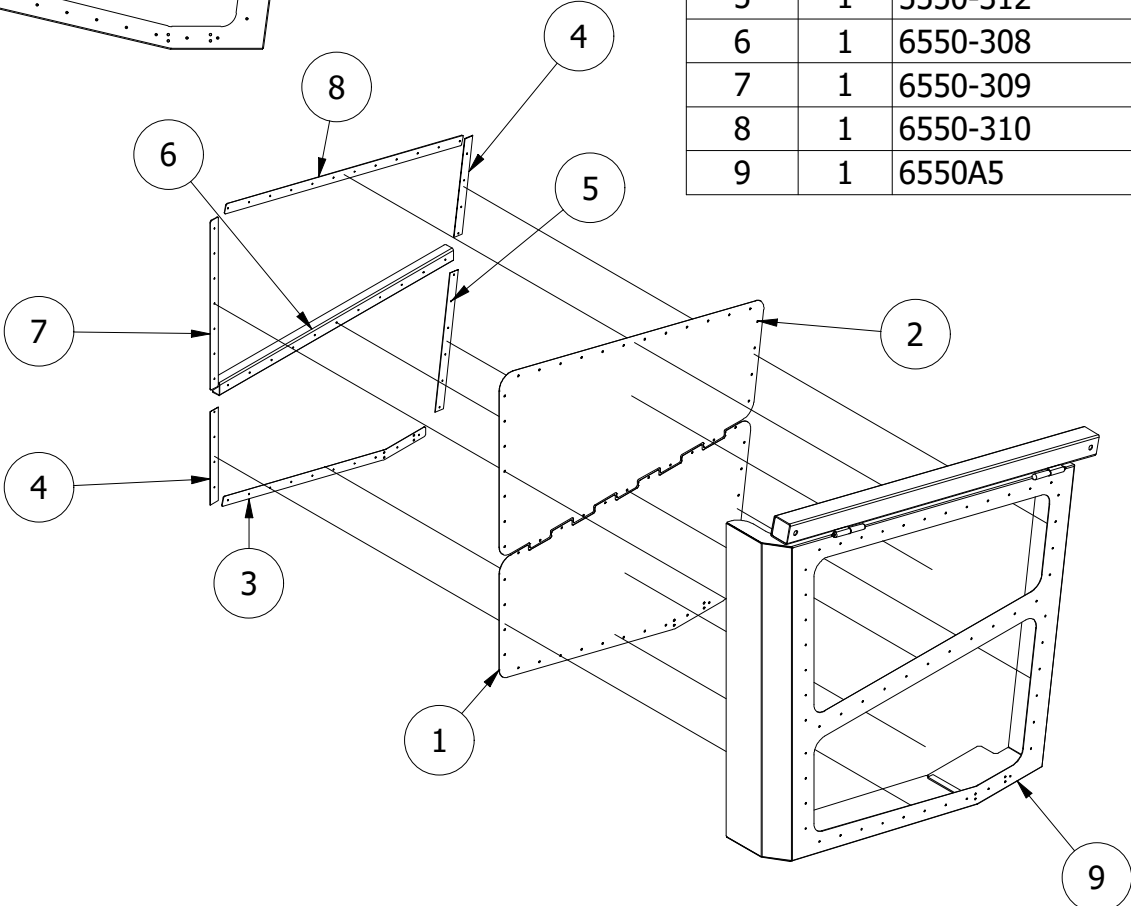
Back

Home

LH Cage Door Assy (6550A9)



| PARTS LIST | | | |
|------------|-----|-------------|---|
| ITEM | QTY | PART NUMBER | DESCRIPTION |
| 1 | 1 | 6550-320 | 6500 T4 Bottom Cage Door Screen |
| 2 | 1 | 6550-321 | 6500 T4 Top Cage Door Screen |
| 3 | 1 | 6550-307 | 6500 T4 Cage Door Lower Mounting Strap |
| 4 | 2 | 5550-307 | Engine Door Screen Front Mounting Strap |
| 5 | 1 | 5550-312 | Cage Door Screen Front Mounting Strap |
| 6 | 1 | 6550-308 | 6500 T4 Cage Screen Channel (11 Hole) |
| 7 | 1 | 6550-309 | Cage Door Screen Mounting Strap (7 hole) |
| 8 | 1 | 6550-310 | Cage Door Screen Mounting Strap (12 hole) |
| 9 | 1 | 6550A5 | 6500 T4 LH Front Engine Door |



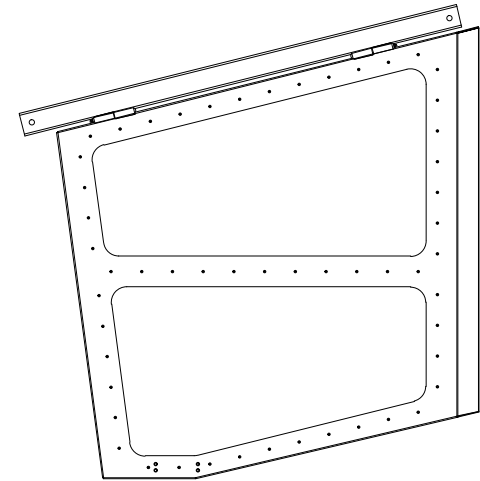
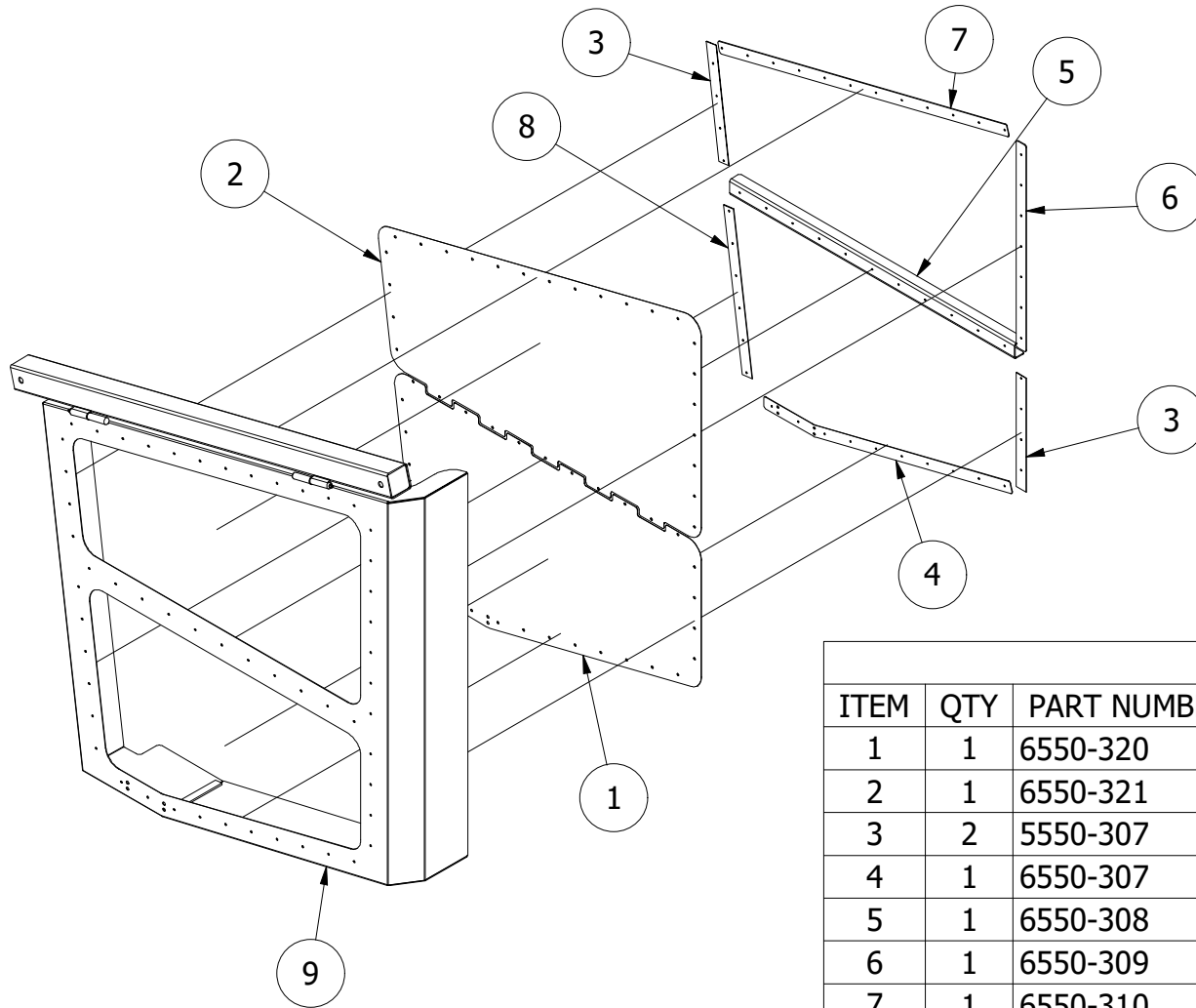
Door Seal 1490-4951 Inches Needed

Stinger 6500 Stacker

[Back](#)

[Home](#)

RH Cage Door Assy (6550A10)



Door Seal 1490-4951 Inches Needed

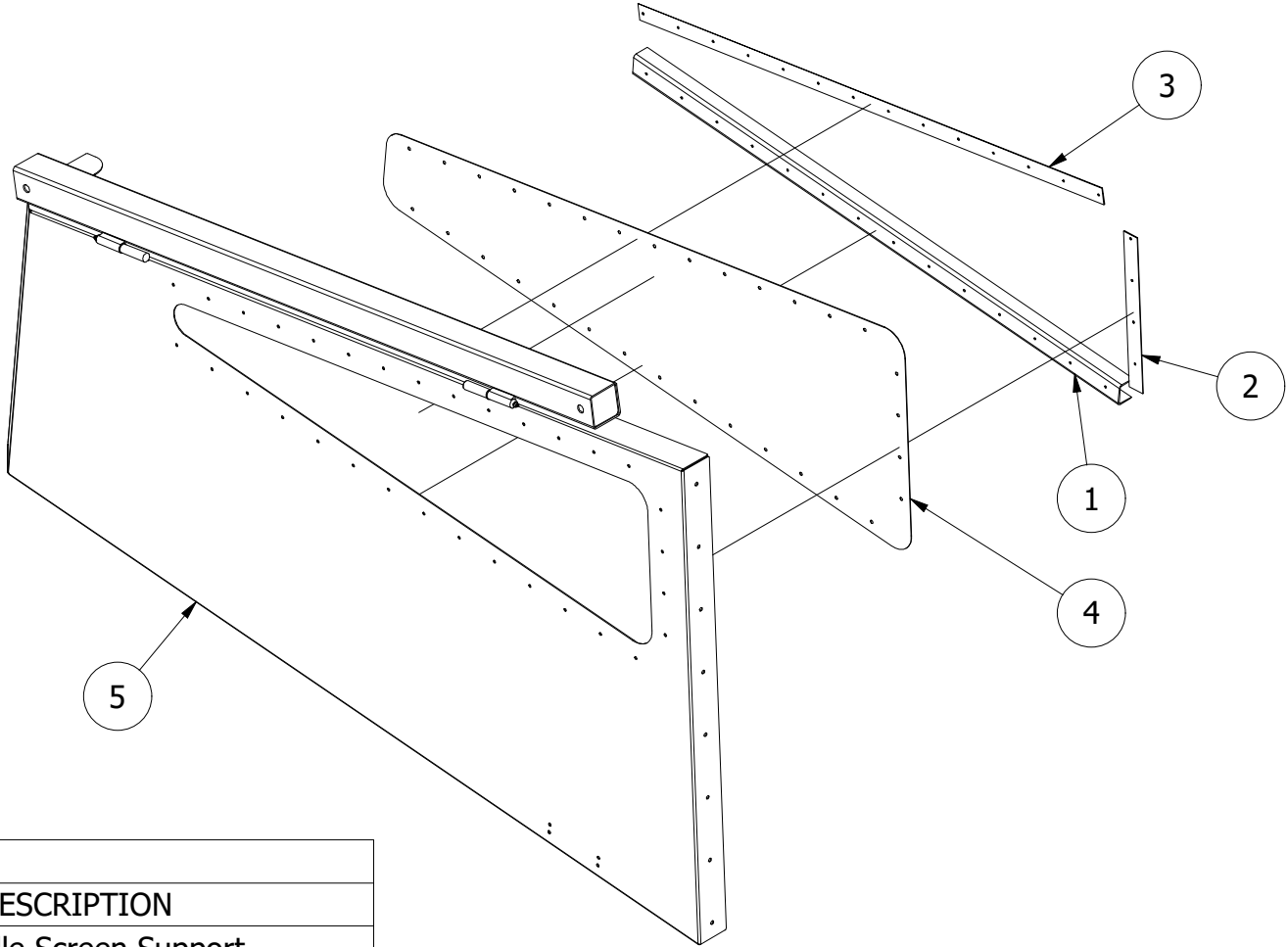
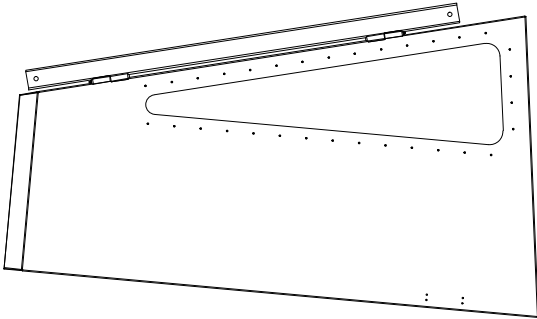
| PARTS LIST | | | |
|------------|-----|-------------|---|
| ITEM | QTY | PART NUMBER | DESCRIPTION |
| 1 | 1 | 6550-320 | 6500 T4 Bottom Cage Door Screen |
| 2 | 1 | 6550-321 | 6500 T4 Top Cage Door Screen |
| 3 | 2 | 5550-307 | Engine Door Screen Front Mounting Strap |
| 4 | 1 | 6550-307 | 6500 T4 Cage Door Lower Mounting Strap |
| 5 | 1 | 6550-308 | 6500 T4 Cage Screen Channel (11 Hole) |
| 6 | 1 | 6550-309 | Cage Door Screen Mounting Strap (7 hole) |
| 7 | 1 | 6550-310 | Cage Door Screen Mounting Strap (12 hole) |
| 8 | 1 | 5550-312 | Cage Door Screen Front Mounting Strap |
| 9 | 1 | 6550A6 | 6500 T4 RH Front Engine Door |

Stinger 6500 Stacker

[Back](#)

[Home](#)

RH Engine Door Assy (6550A12)



Safety Edge 1490-2027 Inches Needed

Door Seal 1490-4951 Inches Needed

| PARTS LIST | | | |
|------------|-----|-------------|---|
| ITEM | QTY | PART NUMBER | DESCRIPTION |
| 1 | 1 | 5550-305 | Cage Door Middle Screen Support |
| 2 | 1 | 5550-307 | Engine Door Screen Front Mounting Strap |
| 3 | 1 | 5550-313 | Cage Door Screen Top Mounting Strap |
| 4 | 1 | 6550-322 | 6500 T4 Engine Door Screen |
| 5 | 1 | 6550A8 | 6500 T4 RH Rear Engine Door |

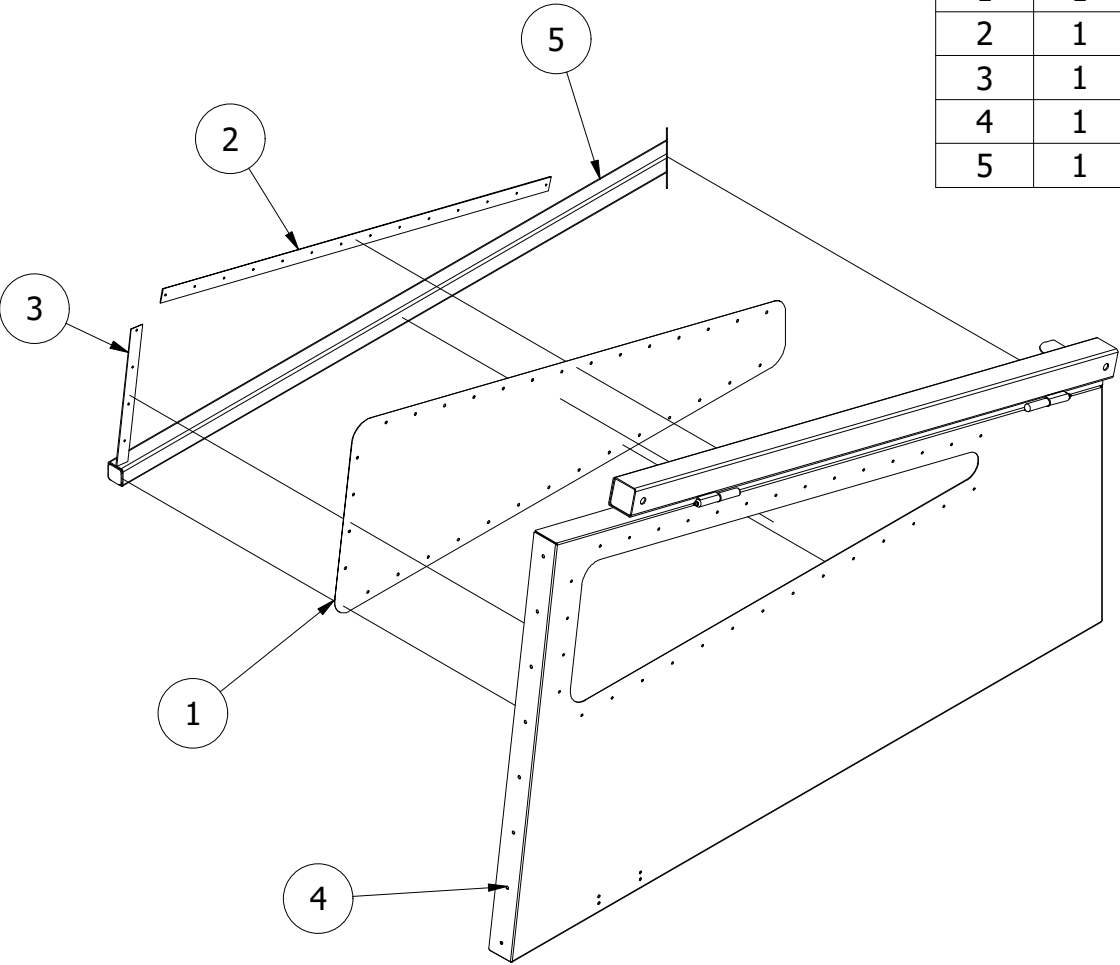
Stinger 6500 Stacker

[Back](#)

[Home](#)

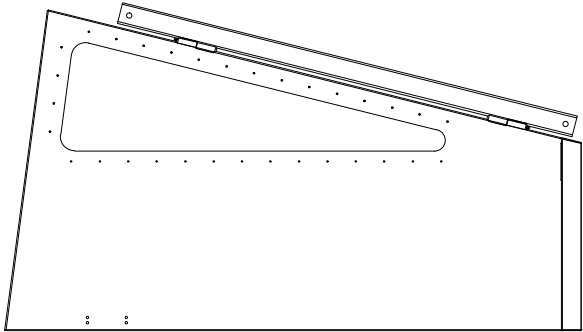
LH Engine Door Assy (6550A11)

| PARTS LIST | | | |
|------------|-----|-------------|---|
| ITEM | QTY | PART NUMBER | DESCRIPTION |
| 1 | 1 | 6550-322 | 6500 T4 Engine Door Screen |
| 2 | 1 | 5550-313 | Cage Door Screen Top Mounting Strap |
| 3 | 1 | 5550-307 | Engine Door Screen Front Mounting Strap |
| 4 | 1 | 6550A7 | 6500 T4 LH Rear Engine Door |
| 5 | 1 | 6550A14 | 6500 Engine Door Screen Tube |



Safety Edge 1490-2027 Inches Needed

Door Seal 1490-4951 Inches Needed



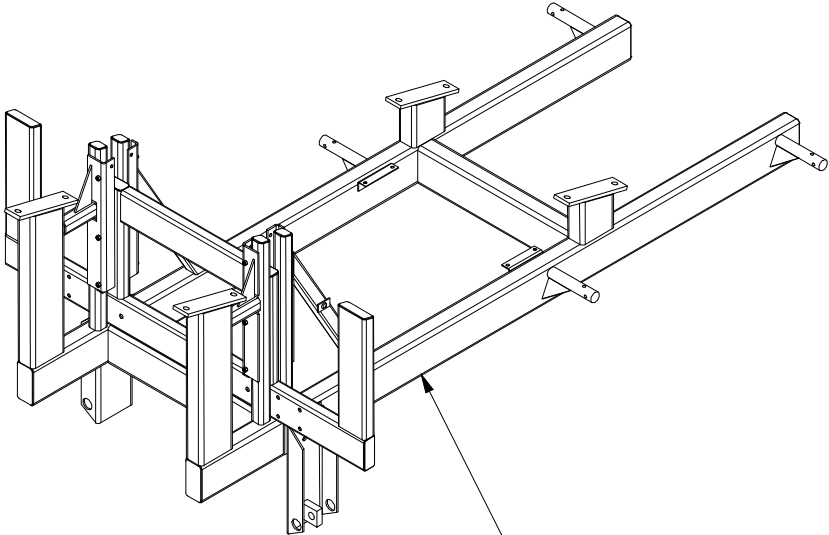
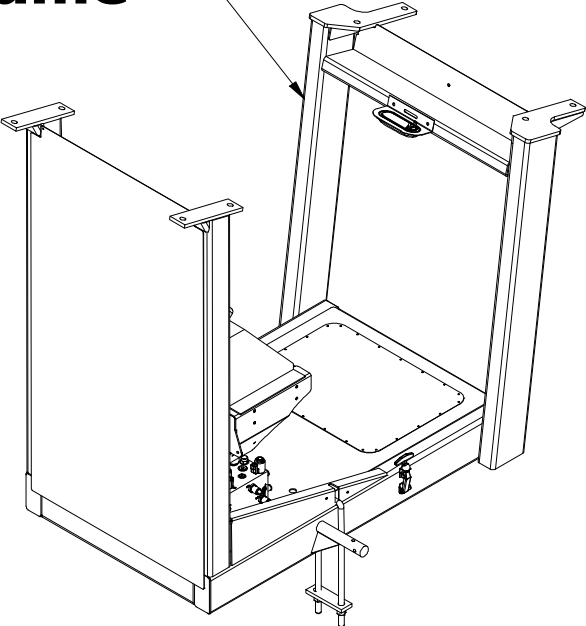
Stinger 6500 Stacker

[Back](#)

[Home](#)

Subframes

**Front
Subframe**

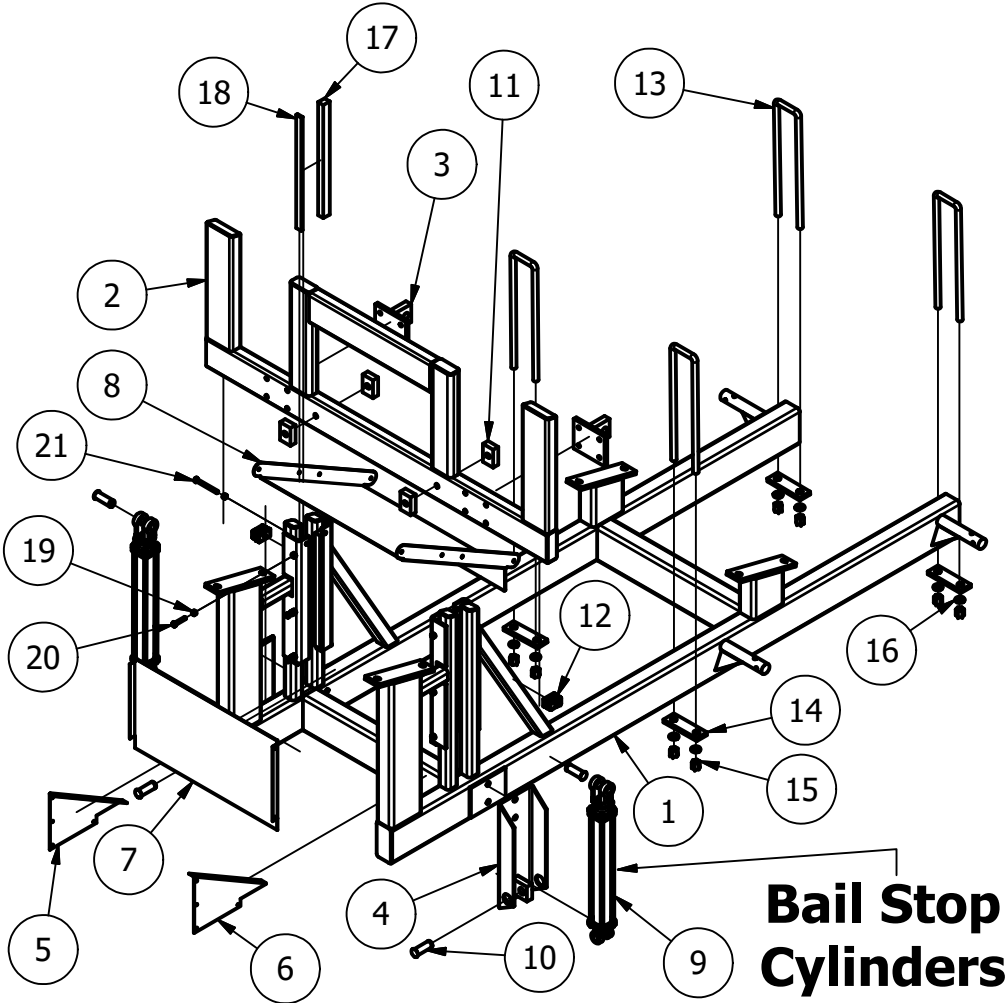


**Rear
Subframe**

Rear Sub-Frame Detail

Back

Home



**Bail Stop
Cylinders**

| PARTS LIST | | | |
|------------|-----|-----------------|--|
| ITEM | QTY | PART NUMBER | DESCRIPTION |
| 1 | 1 | 6550AMR3 | Rear Stacking Sub-Frame Assy |
| 2 | 1 | 6562A | Bale Stop for Dual Cylinders |
| 3 | 2 | 2465A | Bale Stop Cylinder Mount |
| 4 | 2 | 6552A | Dual Bale Stop Cylinder Lower Mount |
| 5 | 1 | 5550-332 | Rear Engine Compartment Side Screen RH |
| 6 | 1 | 5550-333 | Rear Engine Compartment Side Screen LH |
| 7 | 1 | 5550-334 | Rear Engine Compartment Screen |
| 8 | 1 | 6550-248 | Bale Stop Deflector Shield New Style |
| 9 | 2 | See Detail | Bale Stop Cylinder (Varies*) |
| 10 | 4 | 1490-4566 | 1 X 2-3/4 Cylinder Pin |
| 11 | 4 | 2460-399 | Bale Stop Poly Block |
| 12 | 2 | KIT-DBL-.375 | 3/8" Double Hose Clamp |
| 13 | 4 | 1490-2015 | 3/4x3-1/2x19 U-Bolts SQ Top |
| 14 | 4 | 1400-110 | U-Bolt Plate |
| 15 | 8 | 1490-2017 | HiNuts for U-Bolts |
| 16 | 8 | 3/4 Lock Washer | Helical Spring Lock Washers |
| 17 | 4 | 6550-105 | Bale Stop Poly Wear Block (Long) |
| 18 | 4 | 6550-107 | Poly Support Plate |
| 19 | 16 | 3/8 UNC | 3/8" Nut |
| 20 | 12 | 3/8 x 2 | 3/8" Bolt |
| 21 | 4 | 3/8 x 4 | 3/8" Bolt |

Bale Stop Cylinder

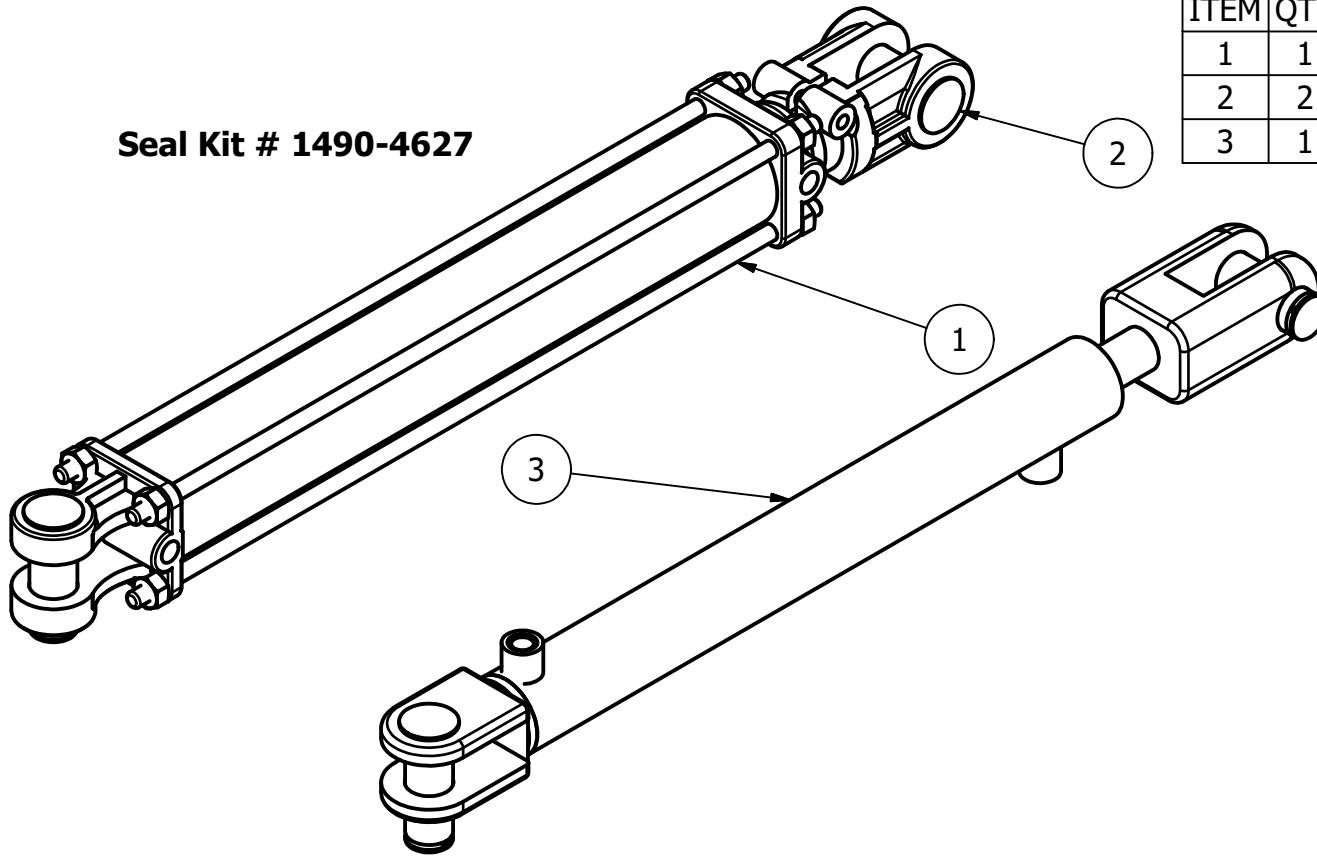
Part # 1490-5031 (Old Tie Rod Type 2 X 14)

Back

Part # 1490-5908 (New Welded Type 1- $\frac{1}{2}$ X 14)

Home

Seal Kit # 1490-4627



| PARTS LIST | | | |
|------------|-----|-------------|---------------------------|
| ITEM | QTY | PART NUMBER | DESCRIPTION |
| 1 | 1 | 1490-5031 | Bale Stop 2 x 14 x 1-1/8 |
| 2 | 2 | 1490-4566 | 1 X 2-3/4 Cylinder Pin |
| 3 | 1 | 1490-5908 | Welded Bale Stop Cylinder |

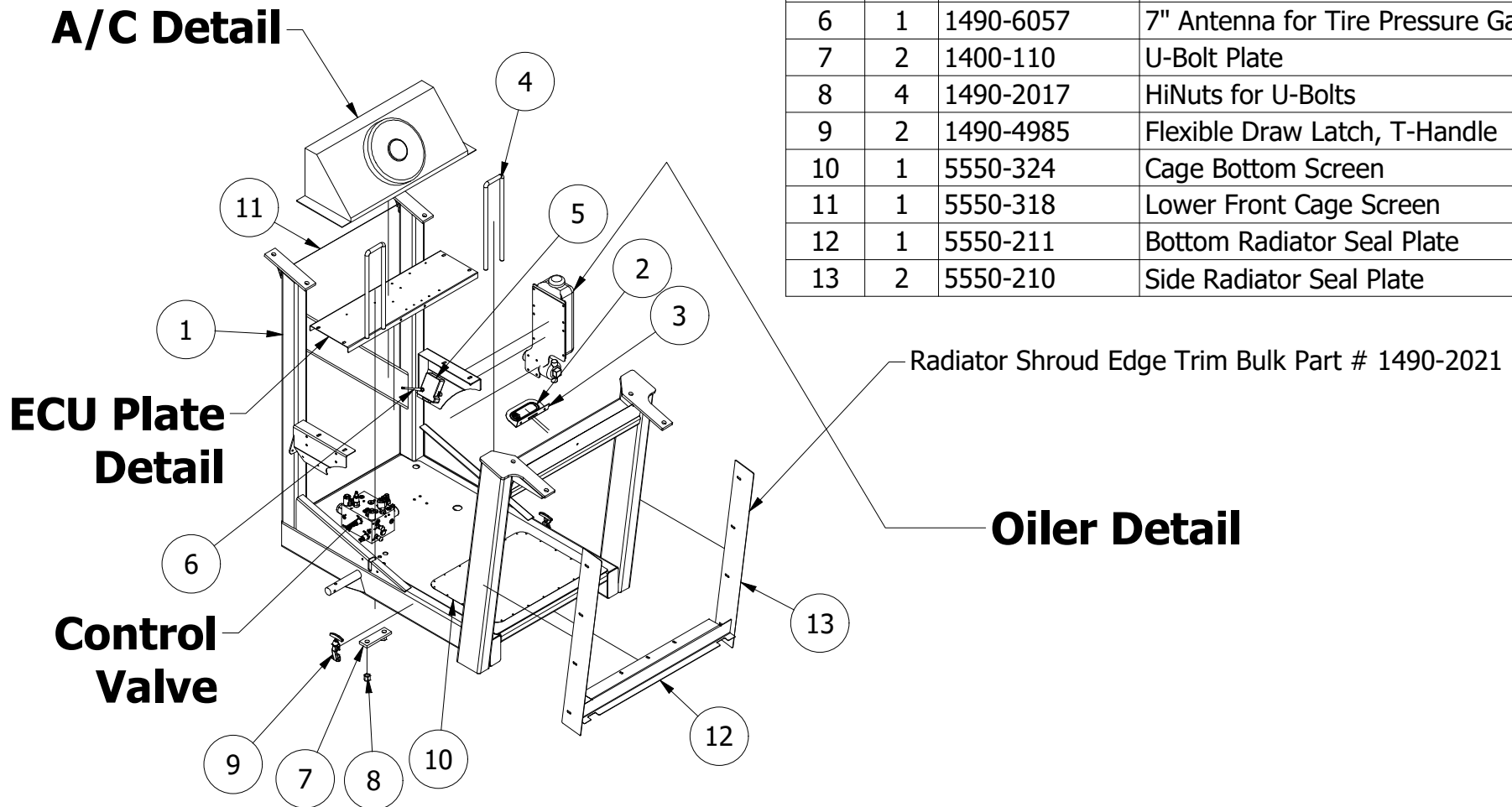
Stinger 6500 Stacker

[Back](#)

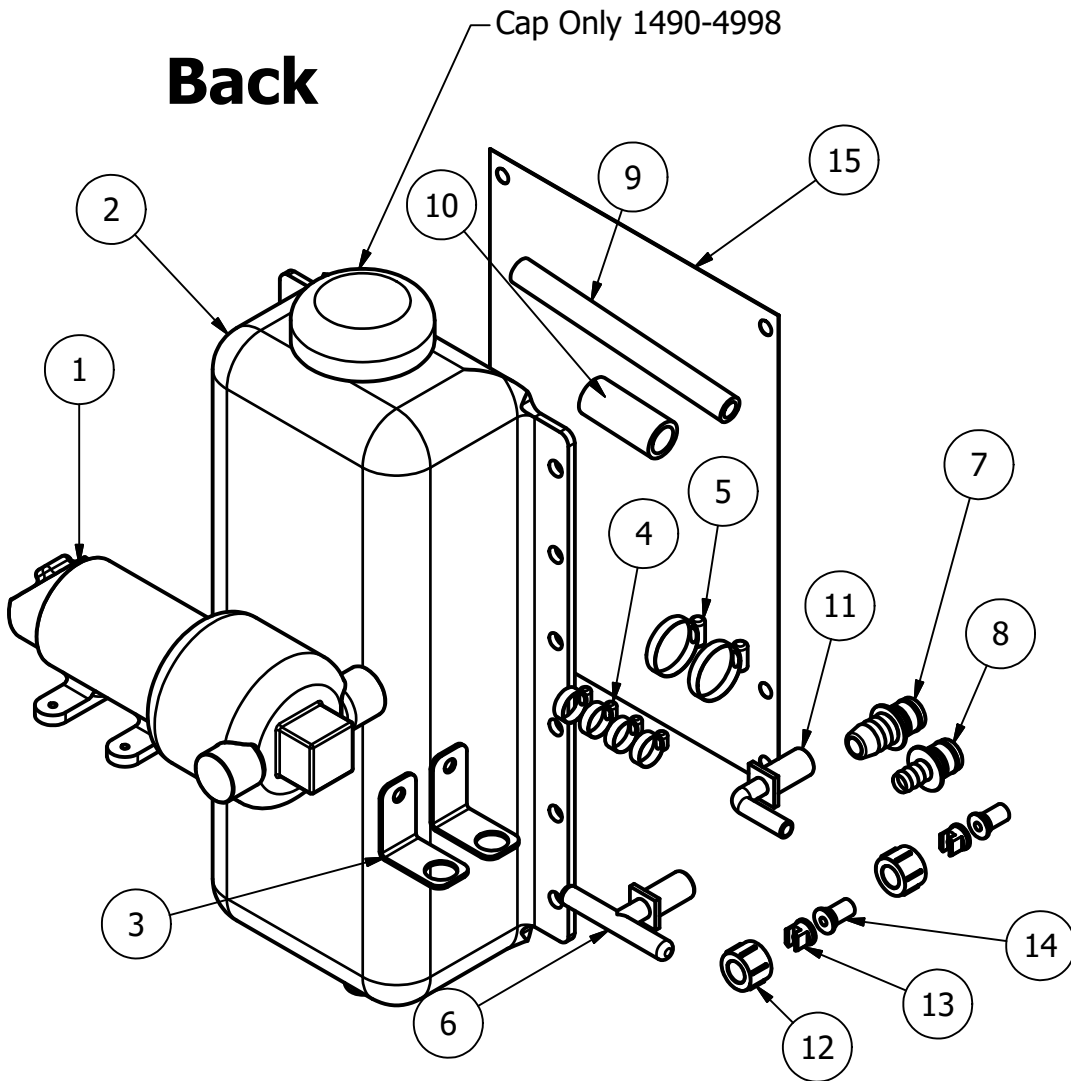
[Home](#)

Front Sub-Frame Detail

| PARTS LIST | | | |
|------------|-----|-------------|--------------------------------------|
| ITEM | QTY | PART NUMBER | DESCRIPTION |
| 1 | 1 | 5550AMF3 | Front Mid-Engine Sub-Frame Assembly |
| 2 | 1 | 1490-6321 | Oval 6" LED Dome Compartment Light |
| 3 | 1 | 1490-3502 | Black Steel Oval Light Bracket |
| 4 | 2 | 1490-2015 | 3/4x3-1/2x19 U-Bolts SQ Top |
| 5 | 1 | 1490-6054 | Tire Pressure J1939 Gateway |
| 6 | 1 | 1490-6057 | 7" Antenna for Tire Pressure Gateway |
| 7 | 2 | 1400-110 | U-Bolt Plate |
| 8 | 4 | 1490-2017 | HiNuts for U-Bolts |
| 9 | 2 | 1490-4985 | Flexible Draw Latch, T-Handle |
| 10 | 1 | 5550-324 | Cage Bottom Screen |
| 11 | 1 | 5550-318 | Lower Front Cage Screen |
| 12 | 1 | 5550-211 | Bottom Radiator Seal Plate |
| 13 | 2 | 5550-210 | Side Radiator Seal Plate |



Oiler Detail



Home

| PARTS LIST | | | |
|------------|-----|-------------|-----------------------------------|
| ITEM | QTY | PART NUMBER | DESCRIPTION |
| 1 | 1 | 1490-5929 | 2.1 GPM Pump |
| 2 | 1 | 1490-6598 | Reservoir Six Qt. Tank |
| 3 | 2 | 1490-5773 | Spray Oiler Mount |
| 4 | 4 | 1490-5161 | Worm Gear Hose Clamp 7/16 - 11/16 |
| 5 | 2 | 1490-5444 | Worm Gear Hose Clamp 9/16 - 1 1/4 |
| 6 | 1 | 1490-5475 | 11/16 UN x 3/8 Barb Tee |
| 7 | 1 | 1490-5976 | 5/8" Hose Barb Port Fitting |
| 8 | 1 | 1490-6267 | 3/8" Hose Barb Port Fitting |
| 9 | 15' | 1490-5176 | 3/8" x .594" Braided Tubing |
| 10 | 2" | 1490-4945 | 5/8' Black Heater Hose |
| 11 | 1 | 1490-5476 | 11/16 UN x 3/8 Barb Elbow |
| 12 | 2 | 1490-5477 | 11/16 UN Spray Nozzle Cap Nut |
| 13 | 2 | 1490-5897 | TeeJet Spray Tip |
| 14 | 2 | 1490-5478 | 50 Mesh Screen w/check valve |
| 15 | 1 | 1490-6614 | Oiler Tank Support |

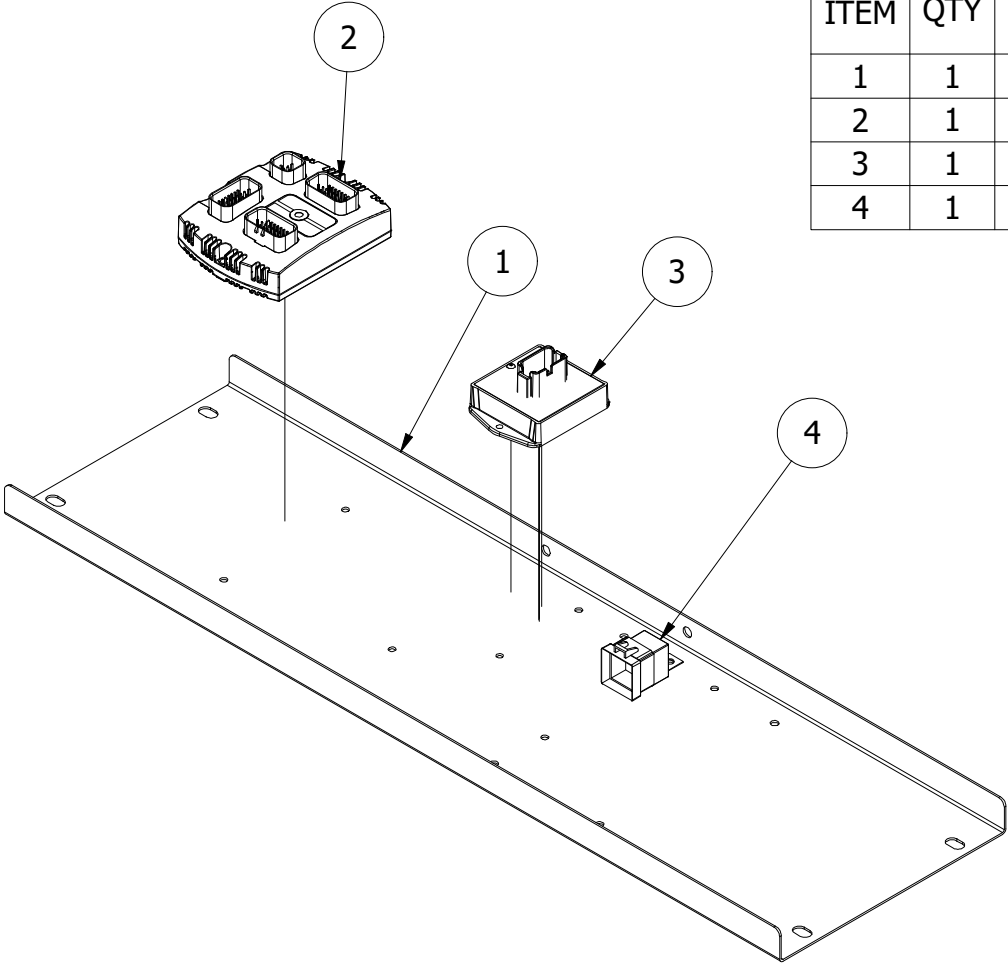
**Oiler System uses a light weight mineral oil
1490-5912 (5-gallon) & 1490-4629 (Bulk)
(Vegetable oils will gum up and eat the paint)**

Stinger 6500 Stacker

[Back](#)

[Home](#)

ECU PLate Detail



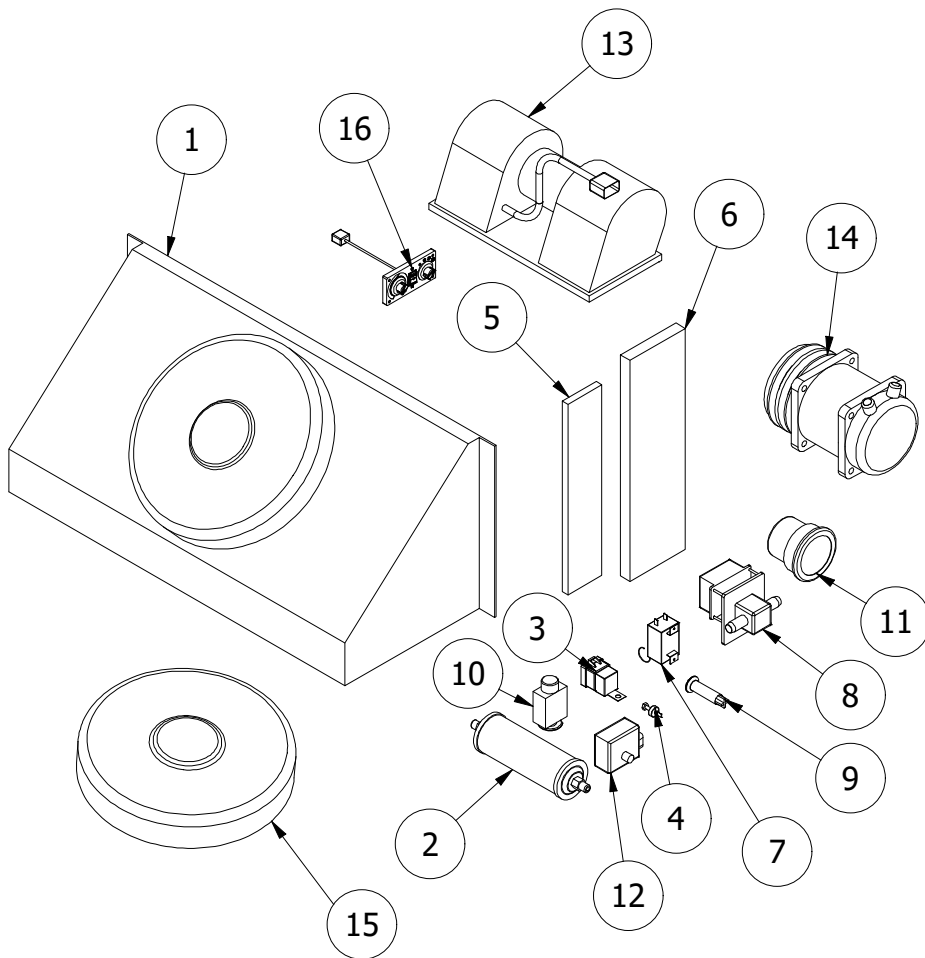
| PARTS LIST | | | |
|------------|-----|-------------|-----------------------------------|
| ITEM | QTY | PART NUMBER | DESCRIPTION |
| 1 | 1 | 5550-335 | ECU Wiring Mout |
| 2 | 1 | 1490-6083 | Hydraforce 2415 ECU |
| 3 | 1 | 1490-6980 | 1/4 Turn Relay Replacement Module |
| 4 | 1 | 1490-5053 | Water Tight Relay 12V (A/C) |

Stinger 6500 Stacker

[Back](#)

[Home](#)

A/C Detail



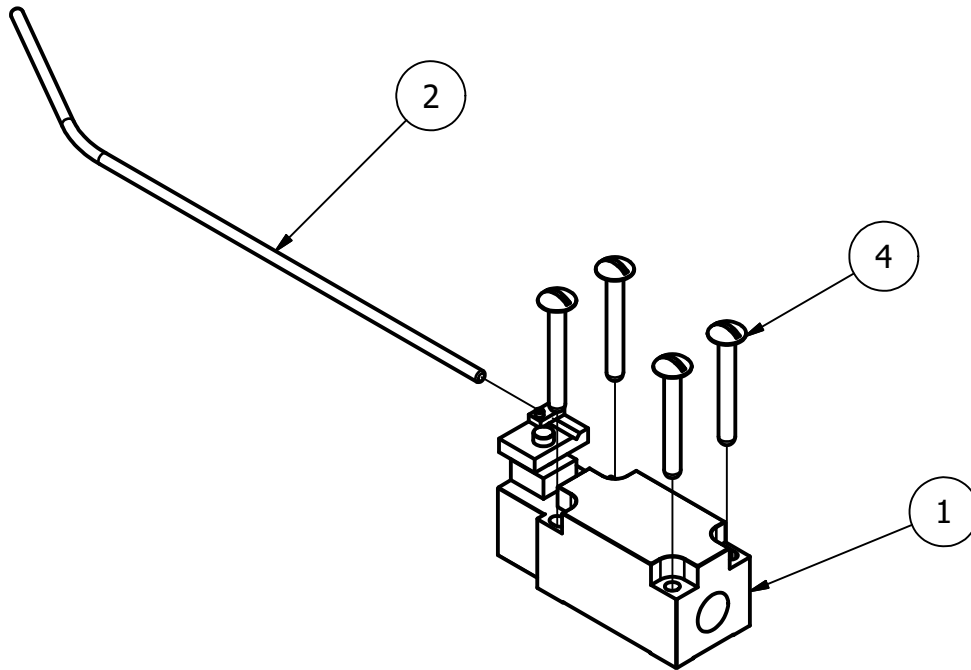
| PARTS LIST | | | |
|------------|-----|-------------|---|
| ITEM | QTY | PART NUMBER | DESCRIPTION |
| 1 | 1 | 1490-3737 | Remote A/C Condensor Complete Assy |
| 2 | 1 | 1490-4658 | Receiver Drier |
| 3 | 1 | 1490-5053 | Water Tight Relay 12V (A/C) |
| 4 | 1 | 1490-5629 | A/C Diode CCC New Cab |
| 5 | 1 | 1490-6329 | Filter, Return A/C |
| 6 | 1 | 1490-6328 | Fresh Air Filter (Paper) |
| 7 | 1 | 1490-6331 | Thermostat |
| 8 | 1 | 1490-6330 | Water Valve 12V |
| 9 | 1 | 1490-6336 | Condensate drain duckbill |
| 10 | 1 | 1490-6332 | Expansion Valve |
| 11 | 1 | 1490-6334 | A/C louver vent for CCC cab |
| 12 | 1 | 1490-6337 | Air flow control motor for CCC cab |
| 13 | 1 | 1490-6333 | Blower Motor |
| 14 | 1 | 1490-4628 | A/C Compressor (4509, 4510, 6664, 6668) |
| 15 | 1 | 1490-6572 | Condensator Electric Fan |
| 16 | 1 | 1490-6531 | A/C Control Panel 2018 Able Cabs |

Charge with approx. 4-1/4 lbs of R-134A

1/4 Turn Microswitch Detail

Back

Home

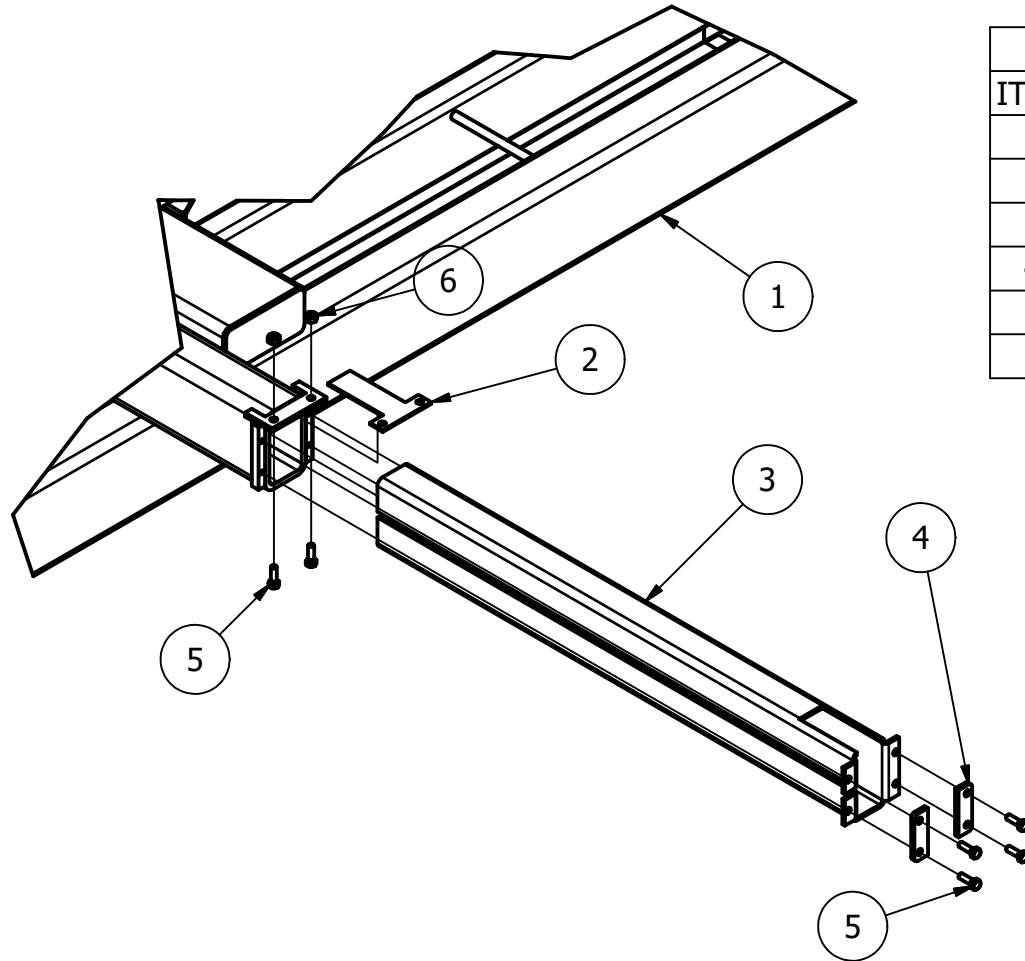


| PARTS LIST | | | |
|------------|-----|-------------|----------------------------------|
| ITEM | QTY | PART NUMBER | DESCRIPTION |
| 1 | 1 | 1490-5894 | Limit Switch w/rod mount |
| 2 | 1 | 1490-6307 | Rod for 1/4 Turn Limit Switch |
| 4 | 4 | 1/4-20 X 2 | Slotted Truss Head Machine Screw |

Squeeze Rail Poly Detail

Back

Home



| PARTS LIST | | | |
|------------|-----|-------------|---|
| ITEM | QTY | PART NUMBER | DESCRIPTION |
| 1 | 1 | 6560A | 500 Series Stacking Main Slide Assembly |
| 2 | 4 | 2460-328 | Squeeze Wear Plate |
| 3 | 4 | 2460-331 | 36" Squeeze Poly Liner |
| 4 | 8 | 2460-320 | Squeeze Poly Strap |
| 5 | 24 | 5/16-18 X 1 | Hex Bolt |
| 6 | 8 | 5/16 - 18 | Hex Nut |

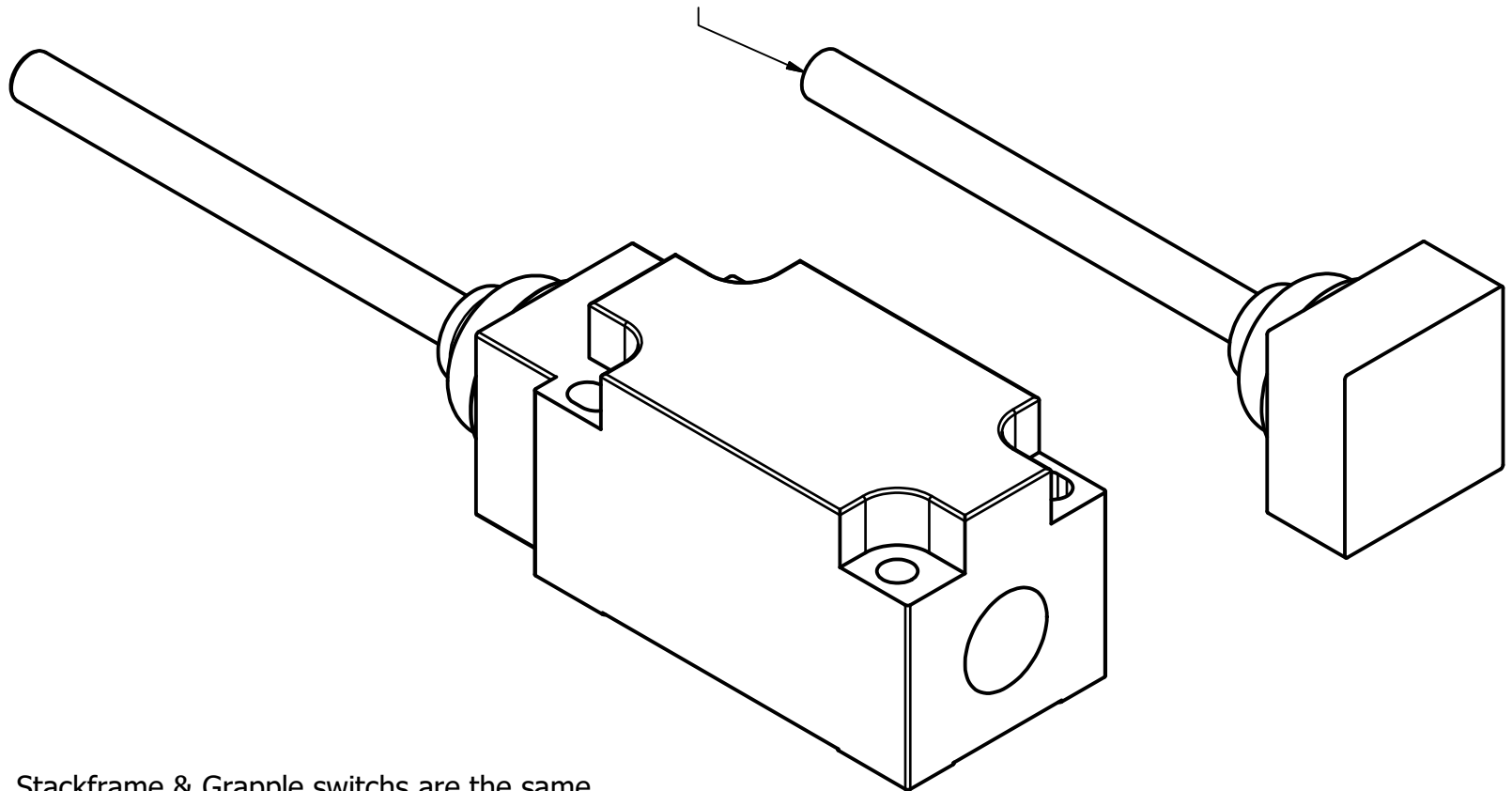
StackFrame Microswitch

1490-5764

Back

Home

Head assy Only W/Spring Arm
1490-6080



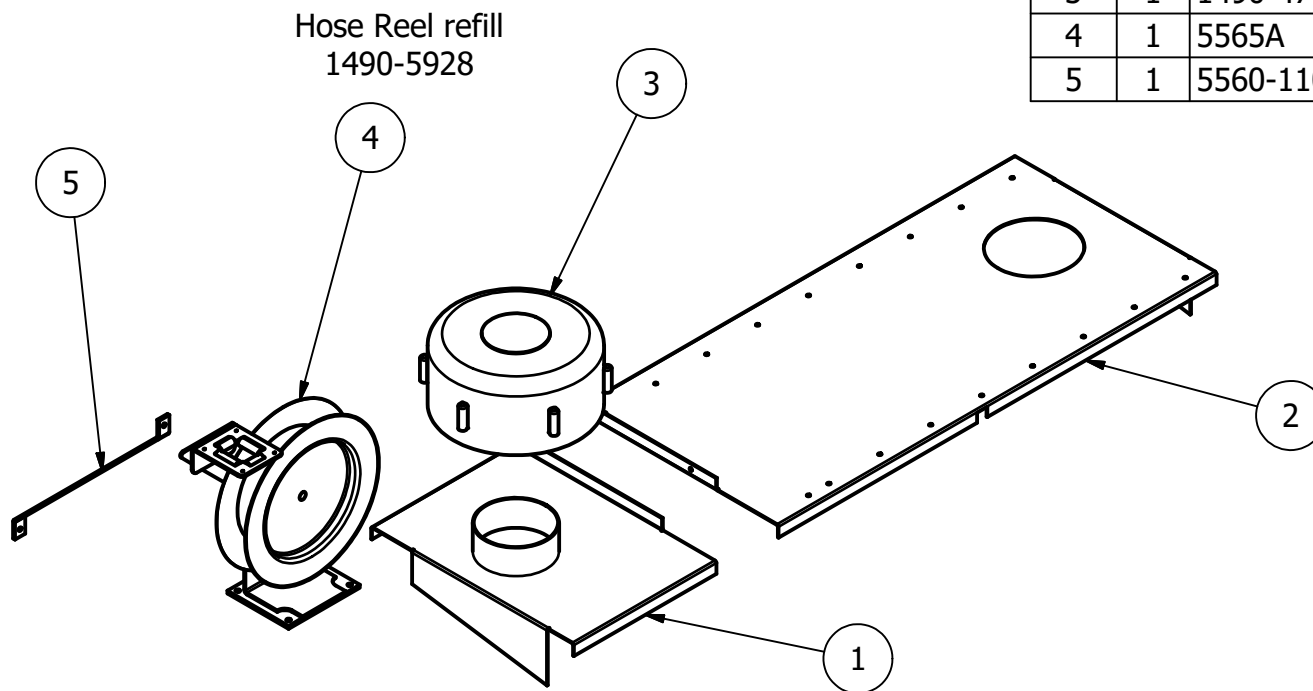
Stackframe & Grapple switches are the same

Air Chamber Detail

Back

Home

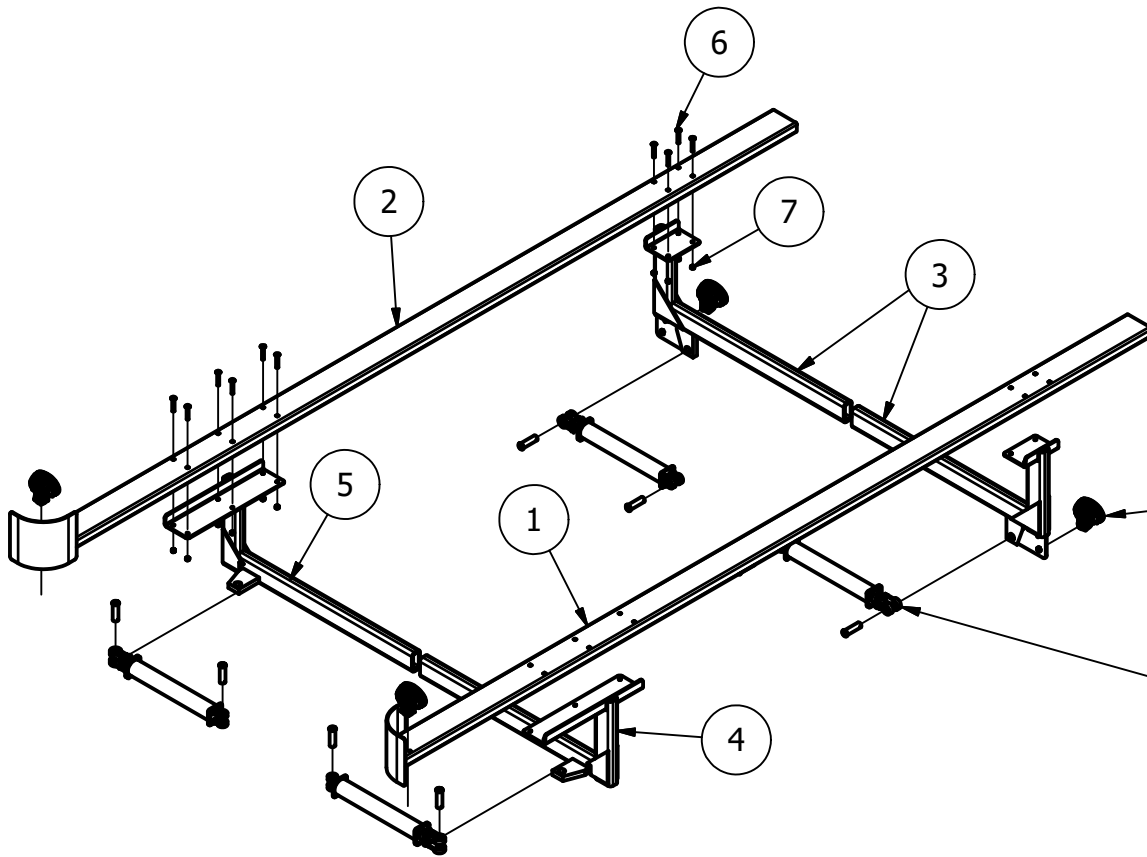
| PARTS LIST | | | |
|------------|-----|-------------|----------------------------------|
| ITEM | QTY | PART NUMBER | DESCRIPTION |
| 1 | 1 | 2000A14 | Front Air Cleaner Chamber Plate |
| 2 | 1 | 2000-421 | Air Cleaner Chamber Rear Plate |
| 3 | 1 | 1490-4768 | Model 6-350/1100 Precleaner |
| 4 | 1 | 5565A | Hose Reel Assy (Complete W/Hose) |
| 5 | 1 | 5560-110 | Air Reel Support Strap |



Squeeze Rail Detail

Back

Home



| PARTS LIST | | | |
|------------|-----|-------------|---------------------------|
| ITEM | QTY | PART NUMBER | DESCRIPTION |
| 1 | 1 | 6563A1L | LH Squeeze Tube Weldment |
| 2 | 1 | 6563A1R | RH Squeeze Tube Weldment |
| 3 | 2 | 6563A2 | Rear Squeeze Arm |
| 4 | 1 | 6563A3 | LH Front Squeeze Arm |
| 5 | 1 | 6563A4 | RH Front Squeeze Arm |
| 6 | 20 | Bolt | 3/8 X 2-3/4 Carriage Bolt |
| 7 | 20 | 3/8 | Hex Nut |

Lights

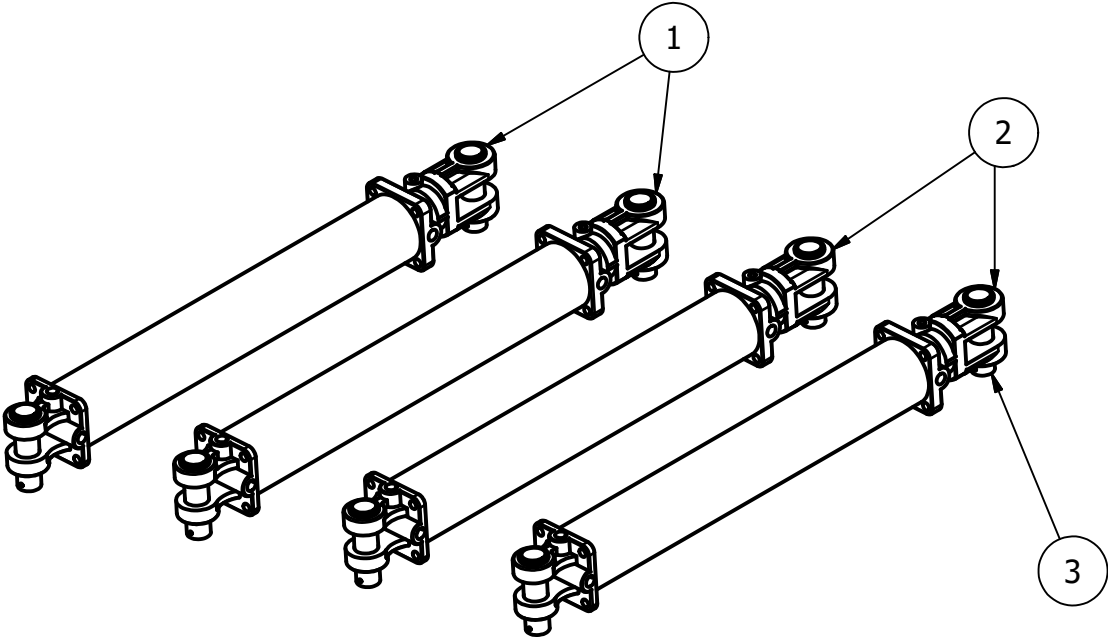
**Squeeze Rail
Cylinders**

Squeeze Rail Cylinders

[Back](#)

[Home](#)

| PARTS LIST | | | |
|------------|-----|-------------|---|
| ITEM | QTY | PART NUMBER | DESCRIPTION |
| 1 | 2 | 1490-4454 | Front Squeeze Cylinder 3-3/4 x 16 x 1-3/8 |
| 2 | 2 | 1490-4453 | Rear Squeeze Cylinder 3-1/2 x 16 x 1-1/4 |
| 3 | 8 | 1490-1863 | 1 x 3-1/8 Cyl Pin |



**Rear Cylinder Seal Kit
Part # 1490-5025**

**Front Cylinder Seal Kit
Part # 1490-5026**

Rear Axle Components

Back

Home

**Complete
Assy**

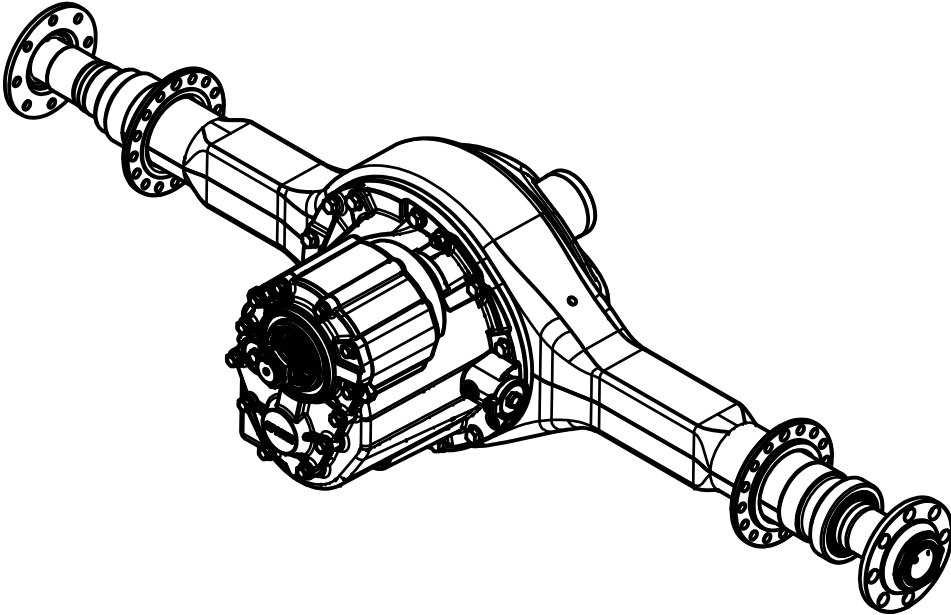
**Drive
Axle**

**Hub &
Brakes**

**Wheel Studs
& Nuts**

**Seals &
Bearings**

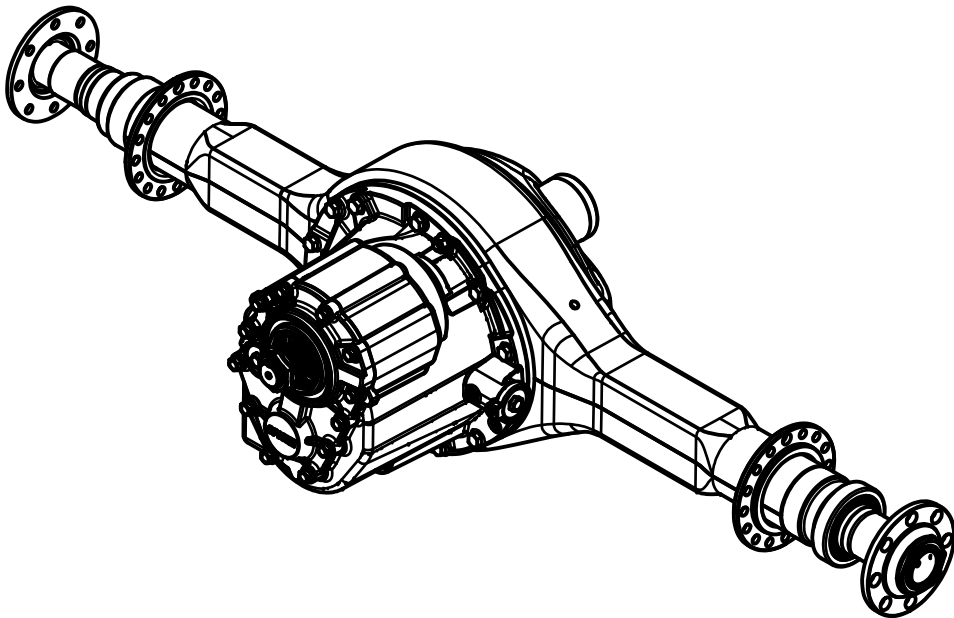
**Drive
Shaft**



Rear Axle Assemblies

[Back](#)

[Home](#)



Complete Axle Assy S26-590
Part #1490-6183

(No Hub or Drum)

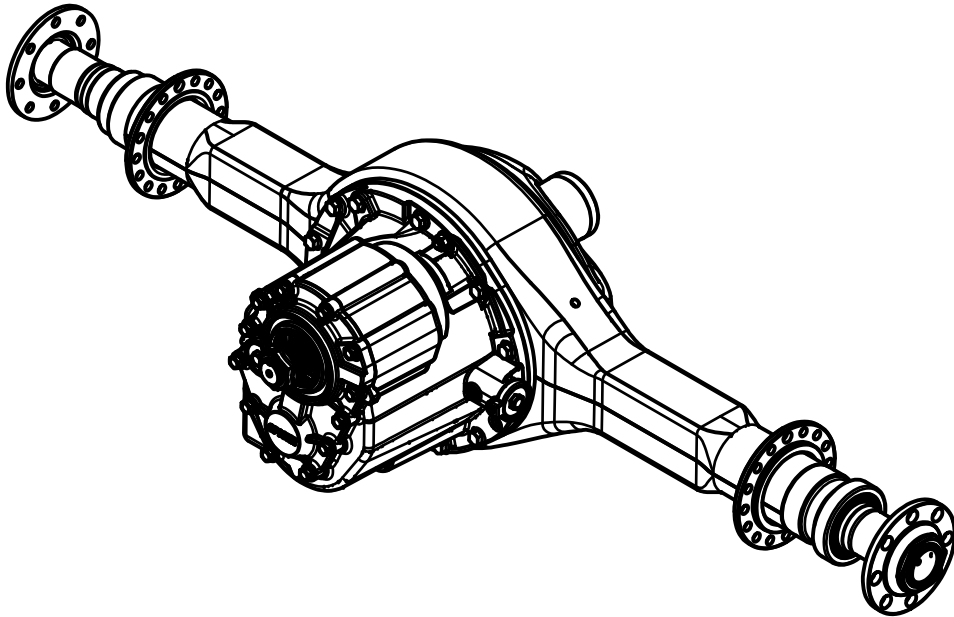
Complete Loaded Head Assy
Part #1490-6009



Rear Axle Seals & Bearings

[Back](#)

[Home](#)



**Inner Rear Axle Bearing
Part #1490-6018**

**Outer Rear Axle Bearing
Part #1490-6019**

**Rear Wheel Seal
Part #1490-5165**

**Rear Wheel Wear Sleeve
Part #1490-5503**

Wheel Stud & Nut Detail

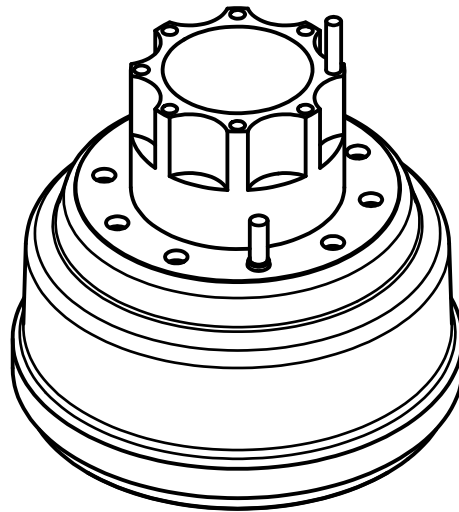
Back

Duals

**Euclid Nut Rear LH
Inner 1490-6221
Outer 1490-5798**

**Euclid Nut Rear RH
Inner 1490-6220
Outer 1490-5797**

**Rear Hub &
Brake**



Home

Singles

**Euclid Rear 3/4-16 LH
Stud Part #1490-4486
Nut Part #1490-2335**

**Euclid Rear 3/4-16 RH
Stud Part #1490-4485
Nut Part #1490-2336**

**Rear Axle
Detail**

Rear Axle Plate Detail

Back

Home

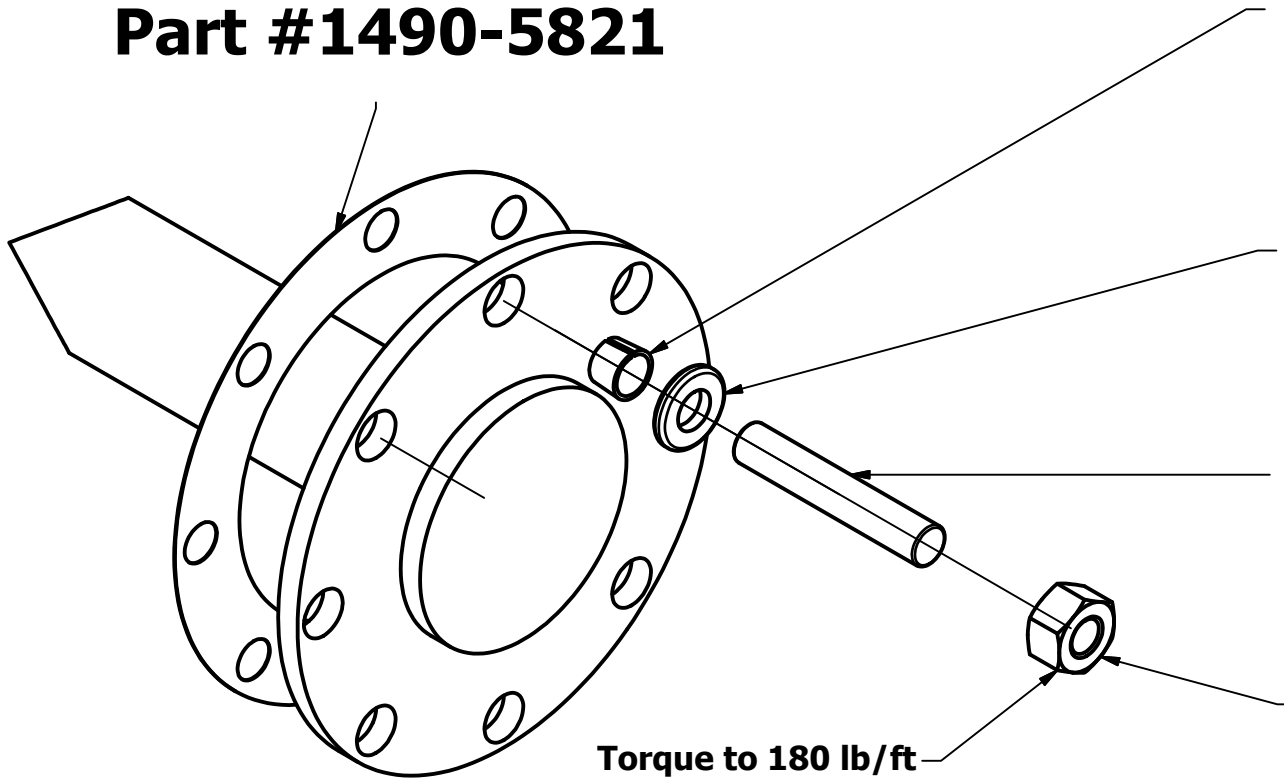
**Axle Flange Gasket
Part #1490-5821**

**Axle Shaft Cone
Part #1490-5605**

**Axle Shaft Washer
Part #1490-5606**

**Axle Drive Stud
Part #1490-5027**

**Axle Shaft Nut
Part #1490-5607**



Torque to 180 lb/ft

Rear Axle Shaft

[Back](#)

[Home](#)

Rear Axle Short

1490-5674

S/N 393-790, 792-794

1490-7001

S/N 791, 795 & Later

**Rear Axle
Plate Detail**

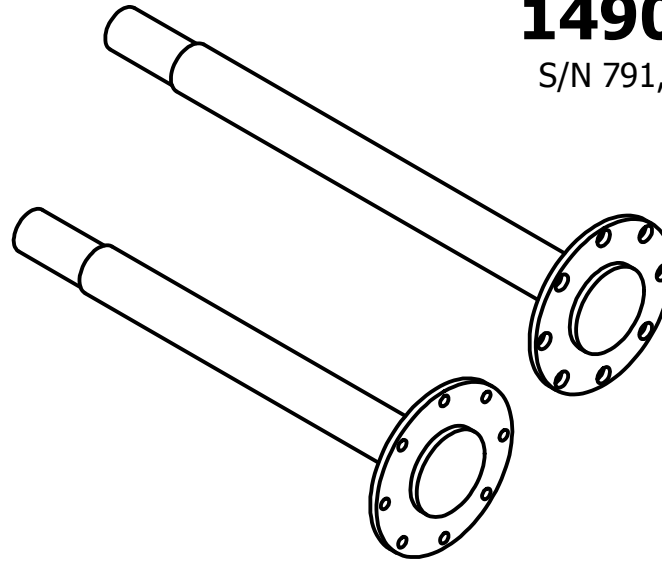
Rear Axle Long

1490-5673

S/N 393-790, 792-794

1490-7000

S/N 791, 795 & Later

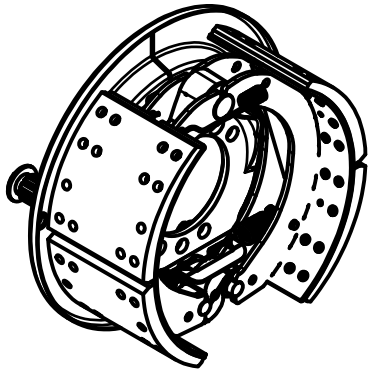


Brake Pad Sets

(come with mounting Hardware Kit)

[Back](#)

[Home](#)



Front Axle Eaton Lined Shoe Set Part #1490-4906

(1 set per Wheel)

Rear Axle Eaton Lined Shoe Set Part #1490-4907

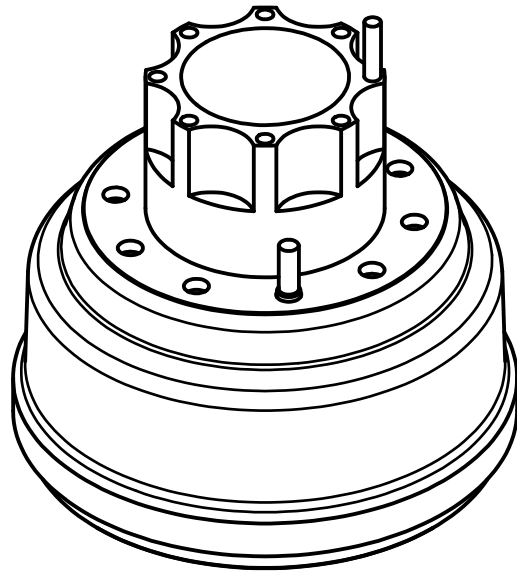
(1 set per Wheel)

Rear Axle Brake Parts

Hub & Drum Assemblies Come with Wheel & Axle Plate Studs
(No Nuts, Cones, Washers, or Gasket)

[Back](#)

[Home](#)



RH Hub & Drum Assy
Part #1490-5835

LH Hub & Drum Assy
Part #1490-5836

Eaton Lined Shoe Set
Part #1490-4907
(1 Per Wheel)

Drive Shaft Parts

[Back](#)

[Home](#)

**Complete PTS Driveshaft Assy W/U-Joints
and "K" Fuses Part #1490-5718**

U-Joint Only Part # 1490-2454

"K" Fuse Set Part # 1490-5749

Front Axle Components

Back

Home

Brakes

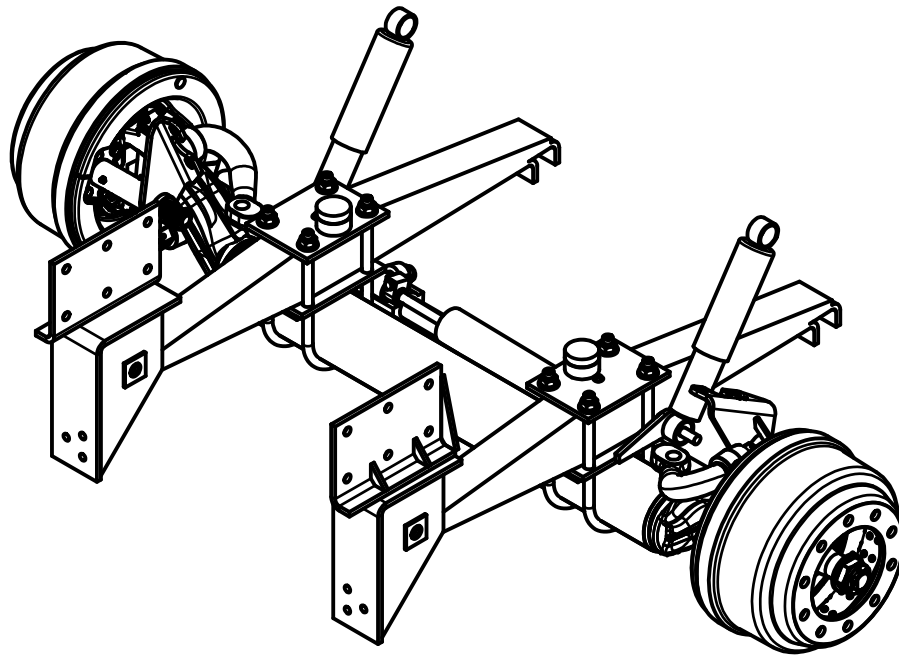
**Wheel
Studs**

Steering

**Shocks &
Bumper**

**Springs &
Hangers**

Other



12 Leaf Front Spring Stack
1490-4989

U-bolt 1490-5805, Washer & Nut 1490-6022, 1490-5405
Spring Bolt & Nut 1490-5003, 1490-5004

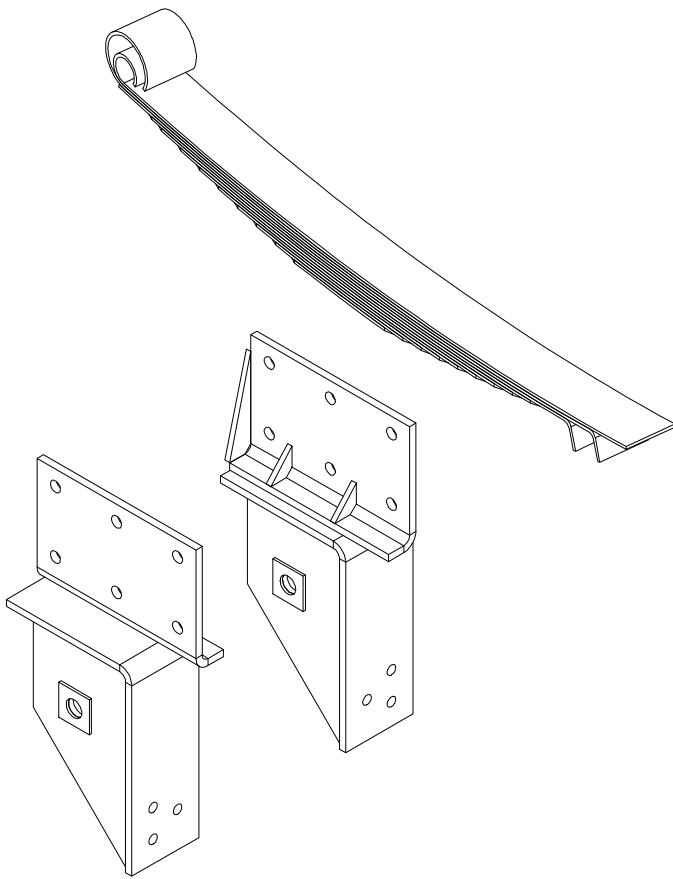
LH Front Spring Hanger
Part # 1490-4729

RH Front Spring Hanger
Part # 1490-4728

LH Rear Spring Hanger
Part # 1490-4730

RH Rear Spring Hanger
Part # 1490-4731

**Bushing &
Poly Parts**



**Front Axle Wheel
Studs & Nuts**

[Back](#)

[Home](#)

**Euclid Stud Front Hub Pilot M22x1.5
Part # 1490-5803**

**Euclid Nut Front Hub Pilot M22x1.5
Part # 1490-5794**



Rear Axle Wheel Studs & Nuts

S/N 791, 795 & Newer

[Back](#)

[Home](#)

**Euclid Stud Rear Hub Pilot M22x1.5
Part # 1490-5803**

**Euclid Nut Rear Hub Pilot M22x1.5
Part # 1490-5794**



Leaf Springs & Hangers

**12 Leaf Front Spring Stack
1490-6579**

(2014 and Newer 11,250 lb stack)

U-bolt 1490-5805, Washer & Nut 1490-6022, 1490-5405
Spring Bolt & Nut 1490-5003, 1490-5004

**LH Front Spring Hanger
Part # 1490-4729**

**RH Front Spring Hanger
Part # 1490-4728**

**LH Rear Spring Hanger
Part # 1490-4730**

**RH Rear Spring Hanger
Part # 1490-4731**

**11 Leaf Rear Spring Stack
1490-5340**

U-bolt 1490-7089, Washer & Nut 1490-6022,
1490-5405

**LH Rear Spring Hanger
Part # 1490-5339**

**RH Rear Spring Hanger
Part # 1490-5403**

**Poly Wear
Pads**

Leaf Spring Bushings & Poly Sets

Back

Home

Front Poly Wear Pad Kit

Part # 1490-4575

(one Side Only)

Rear Poly Wear Pad Kit

Part # 1490-4053

(one Side Only)

Poly Slipper Steel Plate

Part # 1490-4576

(one Side Only)

Front Leaf Spring Bushing

Part # 1490-4428

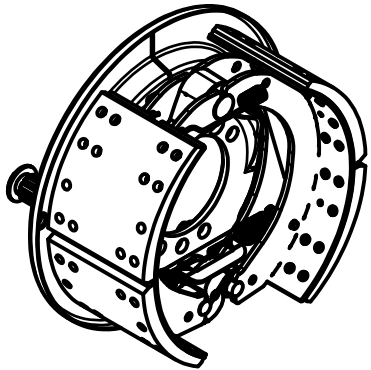
(one Side Only)

**Springs &
Hangers**

Front Axle Brake Parts

[Back](#)

[Home](#)

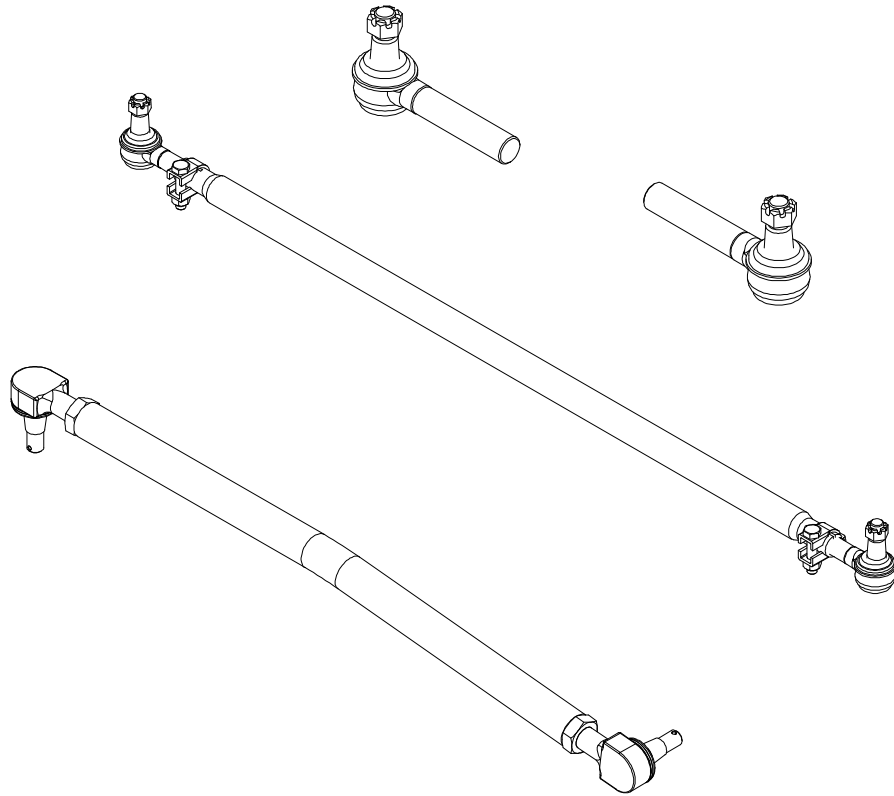


**Eaton Lined Shoe Set
Part #1490-4906**

Steering Components

Back

Home



**Complete Tie Rod Assy
Part #1490-6764
S/N 609, 658-Later**

**LH Tie Rod End
Part #1490-4661**

**RH Tie Rod End
Part #1490-4662**

**Complete Drag Link Assy
Part #1490-6794**

**Drag Link End
Part #1490-4410**

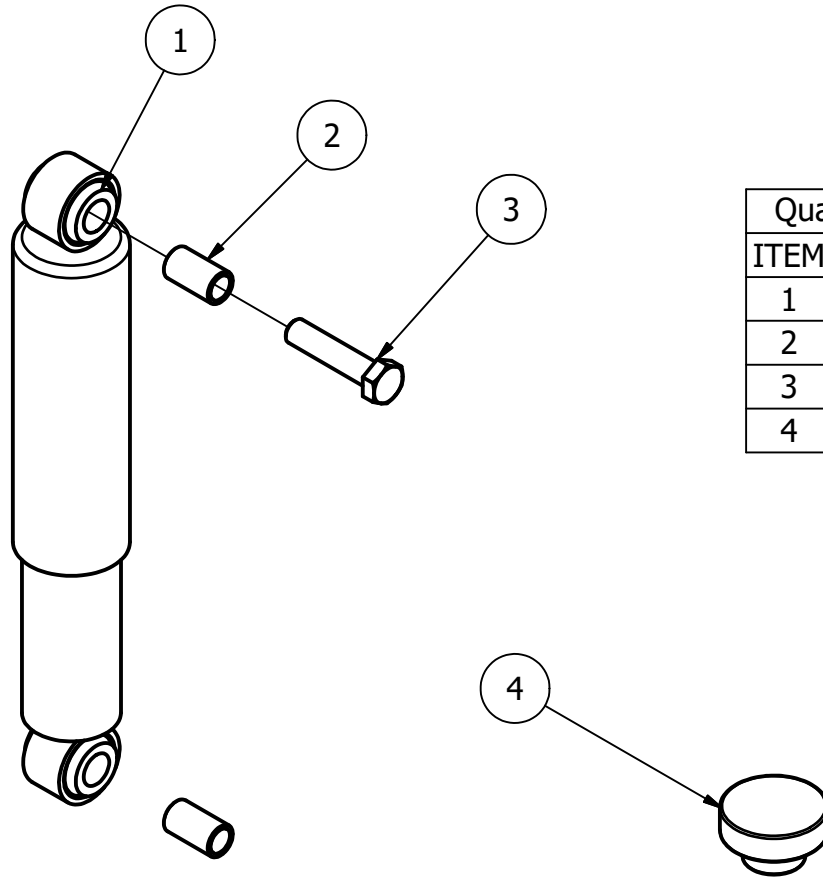
Front Axle Shock

Part # 1490-5181

(No Spacers or Bolt)

[Back](#)

[Home](#)



| Quantity per side | | PARTS LIST | |
|-------------------|-----|-------------|---------------------------|
| ITEM | QTY | PART NUMBER | DESCRIPTION |
| 1 | 1 | 1490-5181 | Monroe Front Shock |
| 2 | 2 | 1490-5301 | Front Shock Spacer Sleeve |
| 3 | 1 | 1490-6597 | 3/4-10 UNC - 3.50 Gd 8 |
| 4 | 1 | 1490-4068 | Front Axle Bumper |

Monroe Magnum 70 Part# 74025

Class 7-8 Truck & Bus Shock

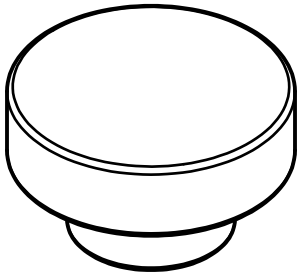
15-³/₄" collapsed 24-³/₄" Extended

35-16 Rubber Bushings for the Old CCC Shock **1490-6232** = Qty 4 per shock

Front Axle Misc Parts

[Back](#)

[Home](#)



Axle Bumper
Part # 1490-4068



Tire & Wheels

Back

Home

**Front
Tires & Wheels**

**Rear
Tires & Wheels**

**Tire Pressure
Monitoring System**

**Front Wheel
Studs & Nuts**

**Rear Wheel
Studs & Nuts**
S/N 794 & Older (except 791)

**Rear Wheel
Studs & Nuts**
S/N 791, 795 & Newer

Rear Tires & Wheels

[Back](#)

[Home](#)

Rear Wheel

Chromazome Steel Wheel

Part# 1490-6577

22.5/24 10 hole 7MM

9.38 Backset (Stud Pilot)

Rear Tire

Vredistien

Part# 1490-6202

710/45 22.5 (Inflate to 60 psi)

Front Tires & Wheels

[Back](#)

[Home](#)

Front Wheels

Aluminum Wheel (Standard)

Part# 1490-6590

22.5/13 10 hole 7MM

9.62 Backset (Hub Pilot)

Steel Wheel Chromazone (Optional)

Part# 1490-6578

22.5/16 10 hole 7MM

12.75 Backset (Hub Pilot)

Front Tires

Goodyear (Standard)

Part# 1490-4021

445/65 22.5

(Requires 13" Rim)

Optional (Float)

Nokian Country King

Part# 1490-6423

500/60 22.5

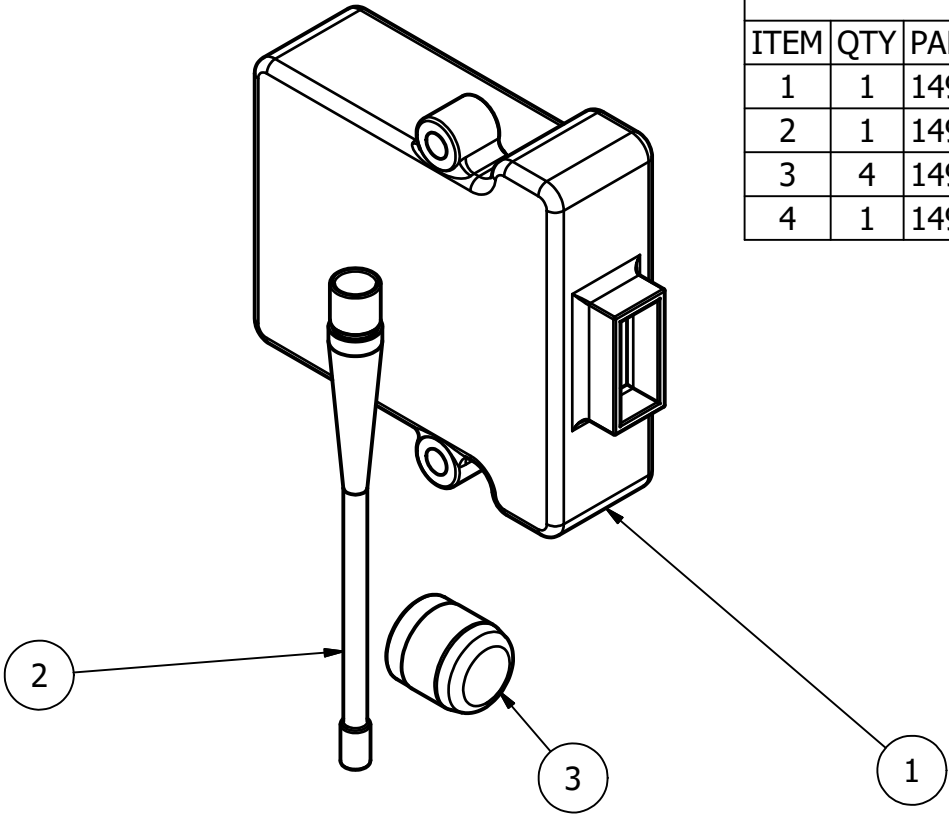
(Requires 16" Rim)

Tire Pressure Monitoring System

Back

Home

| PARTS LIST | | | |
|------------|-----|-------------|--------------------------------------|
| ITEM | QTY | PART NUMBER | DESCRIPTION |
| 1 | 1 | 1490-6054 | Tire Pressure J1939 Gateway |
| 2 | 1 | 1490-6057 | 7" Antenna for Tire Pressure Gateway |
| 3 | 4 | 1490-5780 | Tire Pressure Sensor 2.0 |
| 4 | 1 | 1490-6055 | Gateway Connector Cord |



Earlier Systems

- Pressure Pro Monitor....1490-5777**
 - 3.5" Antenna.....1490-5778**
 - RS-32 Power Cord.....1490-5779**
-

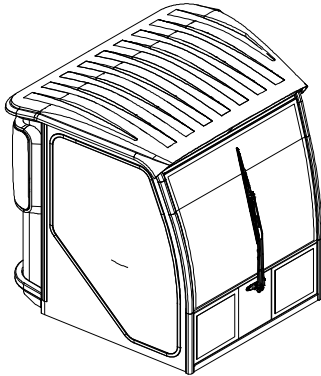
Stinger 6500 Stacker

[Back](#)

[Home](#)

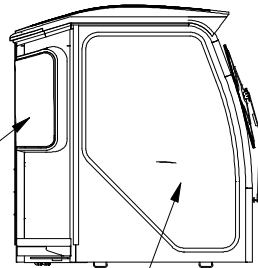
Glass & Seals Gen 4 Able Cab

Unit #798-Later

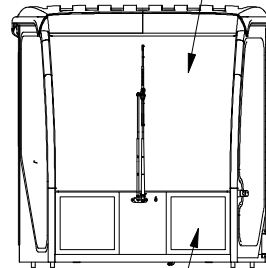


1490-6535 Windshield for Able Cab
Unit #798-Later
Manufacturer Part # 173-5100

1490-7020 RH Rear Corner Glass
Manufacturer Part # 173-5106
1490-7866 Kit Glass, Bolt in seal

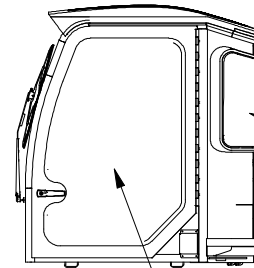


1490-7012- Side Glass RH
Manufacturer Part # 173-5102
14907724 Rubber Window Trim
Manufacturer Part # 284A-0051



1490-6536 Lower Front Glass Both Sides
Manufacturer Part # 173-5104

1490-7019 LH Rear Corner Glass
Manufacturer Part # 173-5105
1490-7866 Kit Glass, Bolt in seal



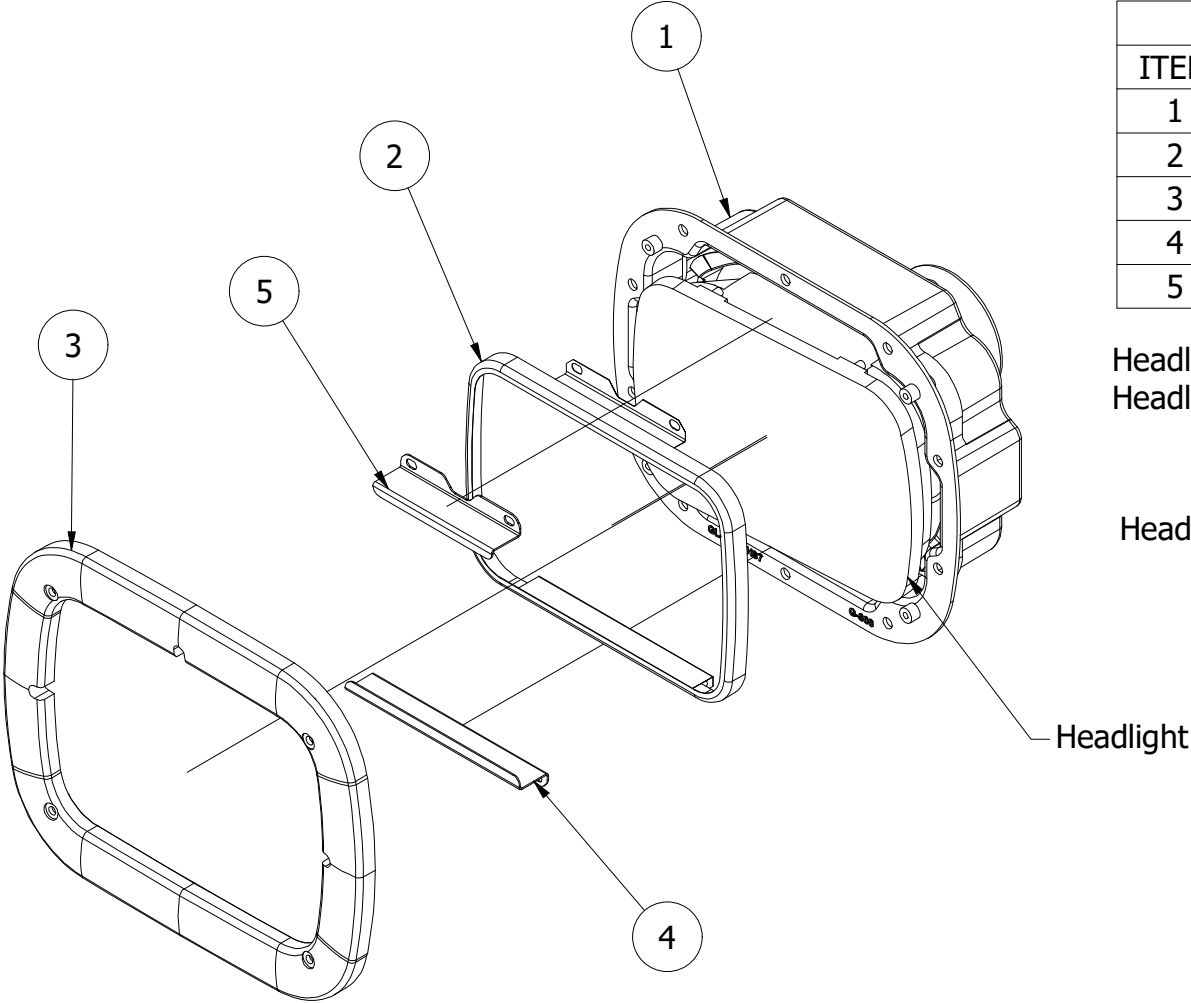
1490-7503 Door Glass Gen 4 Able Cab
Manufacturer Part # 173-5101 R1
1490-7724 Rubber Window Trim
Manufacturer Part # 284A-0051

Headlight & Housing

| PARTS LIST | | | |
|------------|-----|-------------|--------------------------|
| ITEM | QTY | PART NUMBER | DESCRIPTION |
| 1 | 1 | 1490-5618 | Headlight Housing |
| 2 | 1 | 1490-7419 | Headlight Retaining Ring |
| 3 | 1 | 1490-5427 | Chrome Ring Bezel |
| 4 | 1 | 8570-532 | Headlight Saver Tab Lg |
| 5 | 1 | 8570-533 | Headlight Saver Tab Sm |

Headlight LED 5X7 Real Lux for new Trucks.....1490-7429
 Headlight Hallogen Bulb For old Trucks.....1490-5931

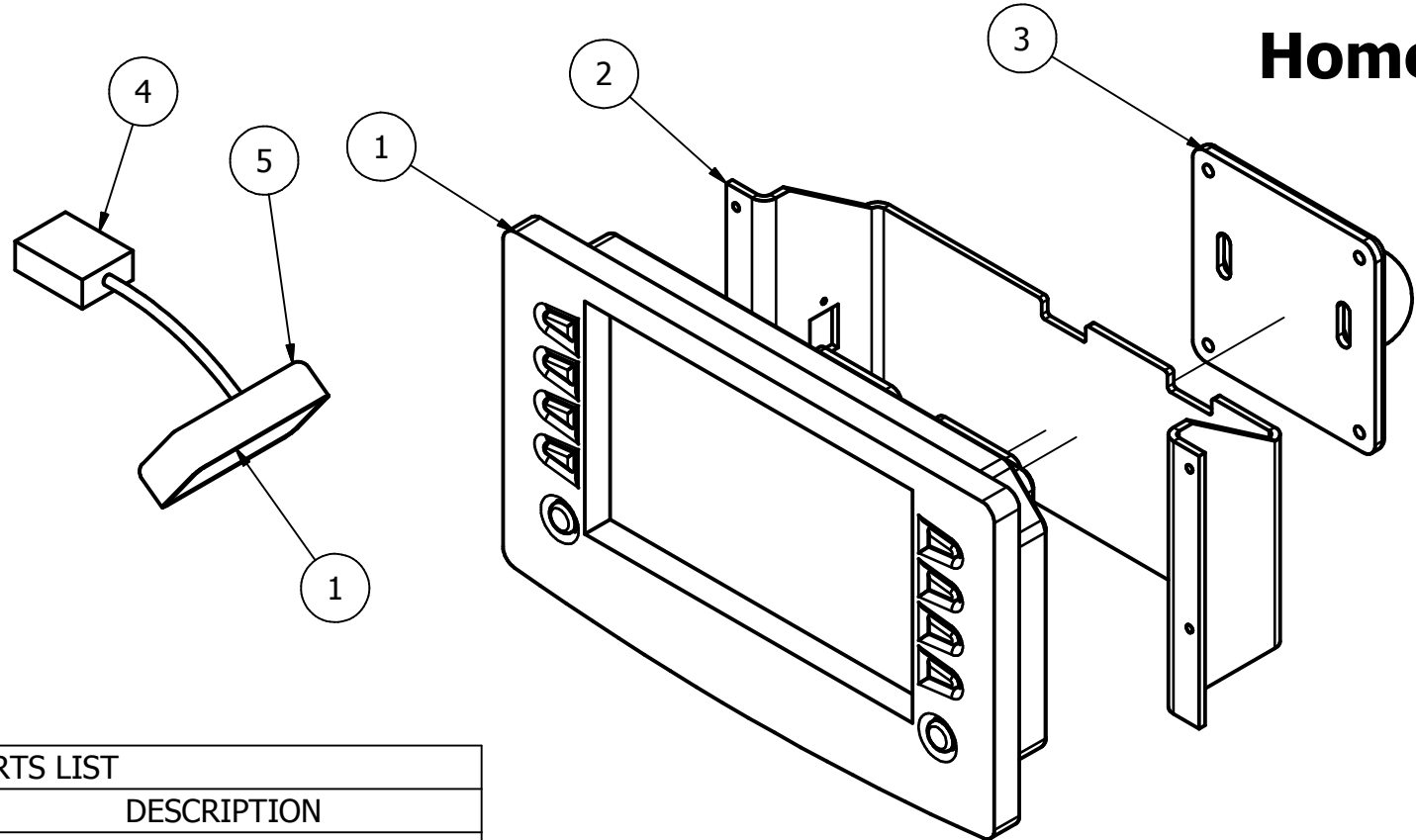
Headlight Plate.....1490-6886



Unit Control Monitor Assembly

Back

Home



PARTS LIST

| ITEM | QTY | PART NUMBER | DESCRIPTION |
|------|-----|-------------|------------------------------------|
| 1 | 1 | 1490-6252 | 7" Color Touch-Screen Display |
| 2 | 1 | 1490-6276 | Display Mount Plate |
| 3 | 1 | 1490-6402 | Versa Base Mount W/1.5" Ball |
| 4 | 1 | 1490-6451 | USB bulkhead Port W/4-Wire Pigtail |
| 5 | 1 | 1490-6086 | 23-Pin Connector |
| 6 | 4 | 1490-6089 | Connector Pins |